

- ⊕ REPRESENTS A CRITICAL DIMENSION.
- MINIMUM PUSHOUT FORCE FOR CONTACTS, WELD TABS, ⊕ AND THREADED INSERTS: 12 OZ.
- MINIMUM LOCKING CLIP RETENTION: 8 OZS.
- MAXIMUM HEIGHT VARIATION BETWEEN ANY TWO PINS: .005[0.13]
- MAXIMUM TERMINAL BURR: .003[0.08]
- COPLANARITY: .004[0.10] = POS 02 THRU 26 ⊕  
.006[0.15] = POS 27 THRU 50 ⊕
- MEASURED FROM BEND.
- DIMENSION CHANGED PER REVISION AD. CONTACT ENGINEERING FOR INFORMATION.
- MEASURE FROM TIPS OF PIN.
- NOTE DELETED.
- DUE TO THE HIGH AMOUNT OF INSERTION FORCE NEEDED, THE -LC OPTION IS NOT COMPATIBLE WITH AUTO PLACEMENT. SAMTEC RECOMMENDS MANUAL PLACEMENT FOR ALL ASSEMBLIES WITH THE -LC OPTION.
- SIDES OF PLASTIC BODIES ON ALL LEAD STYLES EXCEPT THE -01, -02 & -03 WILL BE SOLID AND WITHOUT SIDE SLOTS.
- NOTE DELETED.
- NOT ALL PARTS FOLLOW EIA-481 ORIENTATION IN THE T&R POCKET.

DO NOT SCALE FROM THIS PRINT

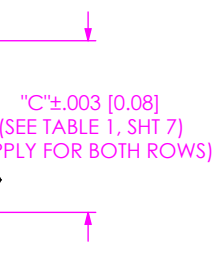
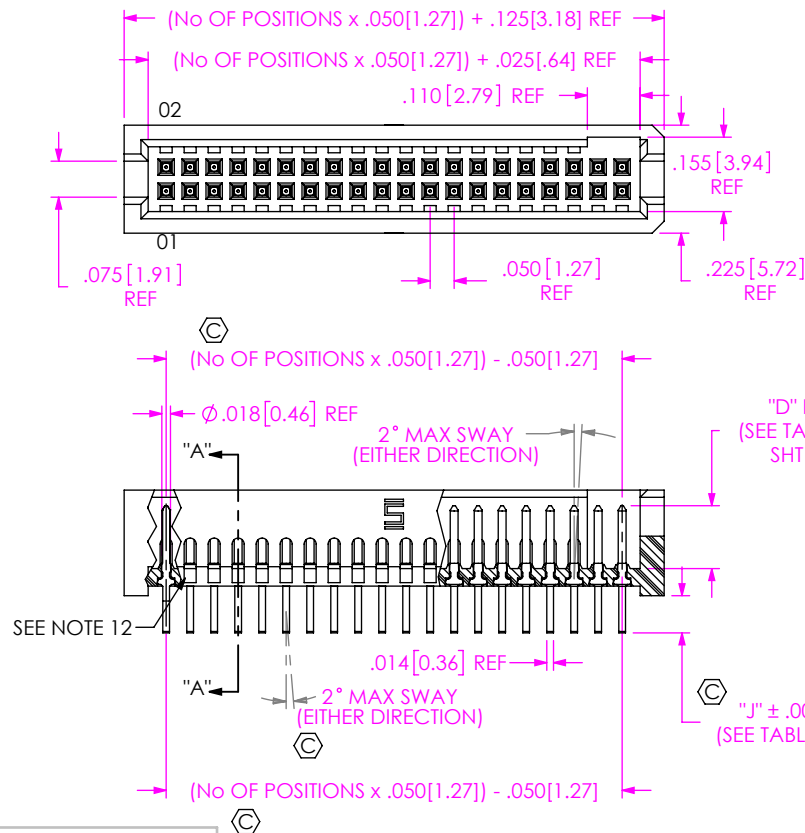


FIG 1 THROUGH HOLE -01, -03, -11, -13, -21, -23, -31

F:\DWG\MISC\MKTG\TFM-1XX-XX-XXX-D-XXX-MKT.SLDDRW

**No OF POSITIONS**  
LEAD STYLE -01, -02, -03: -02 THRU -50 (ALL POSITIONS AVAILABLE)  
LEAD STYLES -11, -12, -13: (-05 THRU -50 MULTIPLES OF 5) POSITIONS 12, 16, 17 ALSO AVAILABLE  
LEAD STYLES -21, 22, 23: (-05 THRU -50 MULTIPLES OF 5) POSITIONS 12 & 13 ALSO AVAILABLE  
LEAD STYLES 31, 32: 12 POSITION ALSO AVAILABLE

**LEAD STYLE**

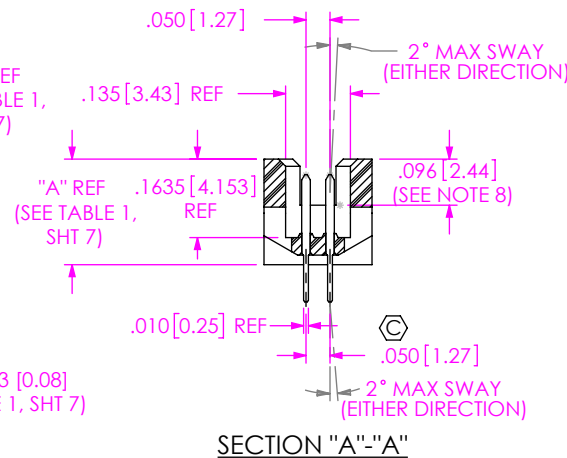
| THROUGH HOLE         | SURFACE MOUNT   |
|----------------------|-----------------|
| -01, -03 (SEE FIG 1) | -02 (SEE FIG 2) |
| -11, -13 (SEE FIG 1) | -12 (SEE FIG 2) |
| -21, -23 (SEE FIG 1) | -22 (SEE FIG 2) |
| -31 (SEE FIG 1)      | -32 (SEE FIG 2) |

**PLATING SPECIFICATION**

- S: 30μ" SELECTIVE GOLD ON CONTACT AREA, MATTE TIN TAIL
- L: 15μ" SELECTIVE GOLD ON CONTACT AREA, MATTE TIN TAIL
- F: 3μ" FLASH GOLD ON CONTACT AREA, MATTE TIN TAIL
- H: 30μ" SELECTIVE GOLD ON CONTACT AREA, 3μ" FLASH GOLD ON TAIL
- SM: 30μ" SELECTIVE GOLD ON CONTACT AREA, MATTE TIN TAIL
- LM: 15μ" SELECTIVE GOLD ON CONTACT AREA, MATTE TIN TAIL
- FM: 3μ" FLASH GOLD ON CONTACT AREA, MATTE TIN TAIL
- STL: 30μ" SELECTIVE GOLD ON CONTACT AREA, TIN/LEAD (90/10 ±5%) TAIL

**BODY SPECIFICATION**

-D: DOUBLE ROW



SECTION "A"-"A"

- A: ALIGNMENT PIN (USE TFM-XX-D-XX-A, SEE TABLE 1) (SEE FIG 8, SHT 3) (NOT AVAILABLE FOR -RA OR -REX)
- LC: LOCKING CLIP (USE LC-05-TM) (NOT AVAILABLE FOR -RA OR -REX) (SEE FIG 10, SHT 3 & NOTES 3 & 11)
- P: PICK AND PLACE PAD (USE PPP-04) (AVAILABLE IN ALL POSITIONS -05 THRU -50 EXCEPT -05 WITH -WT) (NOT AVAILABLE FOR -RA OR -REX, SEE FIG 7, SHT 3)
- RA: RIGHT ANGLE (AVAILABLE ONLY IN LEAD STYLE: -01 SEE FIG 5, SHT 2)
- TR: TAPE AND REEL (SEE FIG 4, SHT 7) (NOT AVAILABLE WITH -DS OPTION OR THROUGH HOLE LEAD STYLE) (SEE NOTE 14)
- SA: STAKED ALIGNMENT PIN (SEE FIG 9, SHT 3) (ONLY AVAILABLE ON SURFACE MOUNT LEAD STYLE)
- K: POLYIMIDE FILM (SEE FIG 3, SHT 2) (USE K-DOT-.217-.313-.005) (NOT AVAILABLE FOR -RA OR -REX) (ALL LEAD STYLES EXCEPT -21 AVAILABLE)
- WT: WELD TABS (USE WT-25-XX-T) (AVAILABLE ON -01, -02 & -03 LEAD STYLES ONLY) (SEE FIG 6, SHT 2) (MATES WITH SFSS/SFSD -SR & -DR ONLY) (NOT AVAILABLE WITH -A, -LC, -RA, OR -SA OPTIONS)
- RE1: RIGHT ANGLE ELEVATED .062 PCB (USE TFM-XX-D-01-RE, NOT AVAILABLE WITHOUT -WT, AVAILABLE IN LEAD STYLE -01 ONLY, -03 THRU -50 POS) (MATES WITH SFSS/SFSD -SR & -DR ONLY) (SEE FIG 11, SHT 4)
- RE2: RIGHT ANGLE ELEVATED .093 PCB (USE TFM-XX-D-01-RE, NOT AVAILABLE WITHOUT -WT, AVAILABLE IN LEAD STYLE -01 ONLY, -03 THRU -50 POS) (MATES WITH SFSS/SFSD -SR & -DR ONLY) (SEE FIG 11, SHEET 4)
- SN: SOLDER NAIL FOR .062 BOARD (TFM-XX-D-01-SN AND WT-27-01-T) (SEE FIG 12, SHT 3) (ONLY AVAILABLE WITH -02 LEAD STYLE) (NOT AVAILABLE WITH OPTIONS -A, -LC, -RA, -SA, -WT, -RE1 OR -RE2)
- SN2: SOLDER NAIL FOR .093 BOARD (TFM-XX-D-01-SN AND WT-27-02-T) (SEE FIG 12, SHT 3) (ONLY AVAILABLE WITH -02 LEAD STYLE) (NOT AVAILABLE WITH OPTIONS -A, -LC, -RA, -SA, -WT, -RE1 OR -RE2)
- DS: DUAL SCREW DOWN FOR .062 BOARD (SEE FIG 18, SHT 5) (ONLY AVAILABLE WITH -01 & -02 LEAD STYLE) (NOT AVAILABLE WITH OPTIONS -A, -LC, -P, -RA, -TR, -SA, -K, -WT, -RE1, -RE2, -SN, -SN2) (-01 LEAD STYLE USES TFM-XX-D-01-DSL & T1-M2-4-VSFM-T, 02 LEAD STYLE USES TFM-XX-D-01-DSA & T1-M2-4-VSFM-T)

UNLESS OTHERWISE SPECIFIED, DIMENSIONS ARE IN INCHES.  
TOLERANCES ARE:  
DECIMALS ANGLES  
.XX: ±.01 [0.3]  
.XXX: ±.005 [0.13]  
.XXXX: ±.0020 [0.051]

**PROPRIETARY NOTE**  
THIS DOCUMENT CONTAINS CONFIDENTIAL AND PROPRIETARY INFORMATION AND ALL DESIGN, MANUFACTURING, REPRODUCTION, USE, PATENT RIGHTS AND SALES RIGHTS ARE EXPRESSLY RESERVED BY SAMTEC, INC. THIS DOCUMENT SHALL NOT BE DISCLOSED, IN WHOLE OR PART, TO ANY UNAUTHORIZED PERSON OR ENTITY NOR REPRODUCED, TRANSFERRED OR INCORPORATED IN ANY OTHER PROJECT IN ANY MANNER WITHOUT THE EXPRESS WRITTEN CONSENT OF SAMTEC, INC.

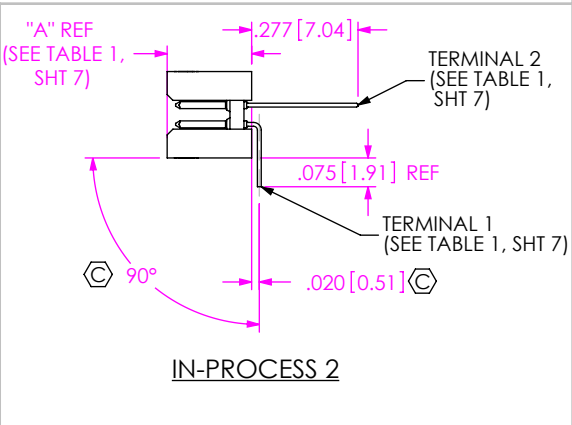
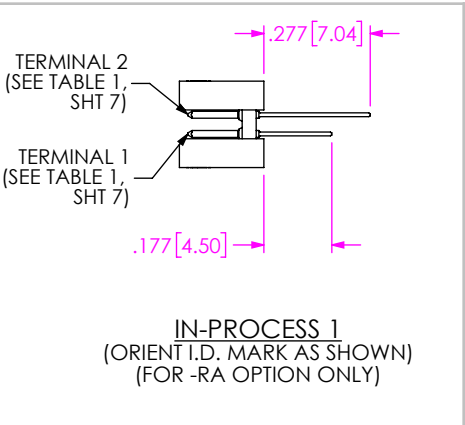
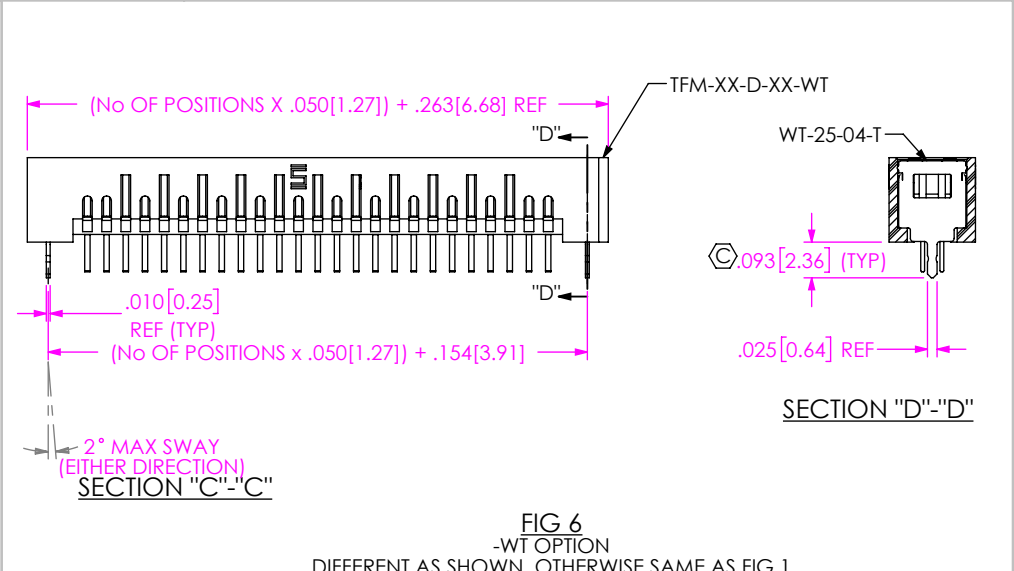
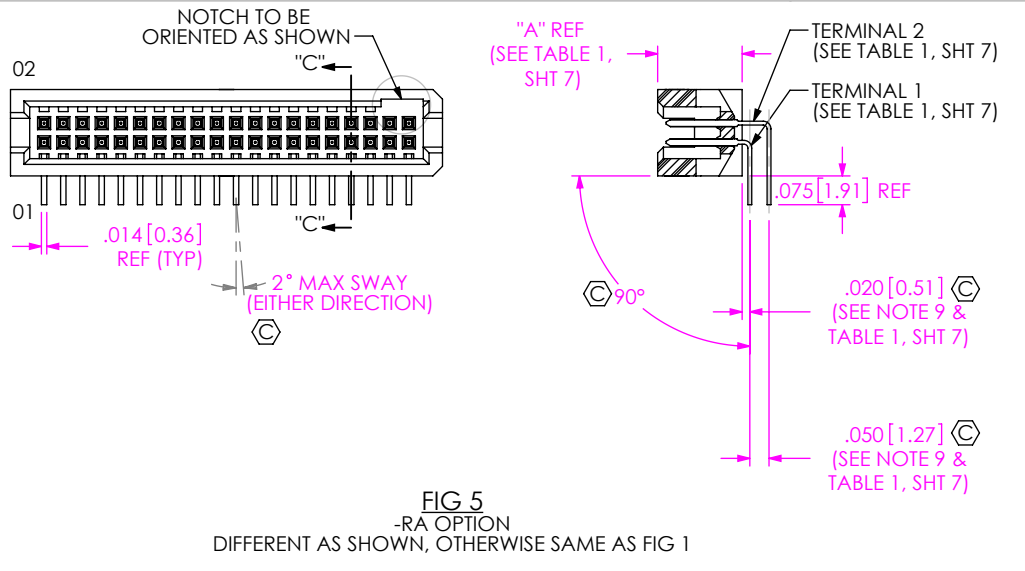
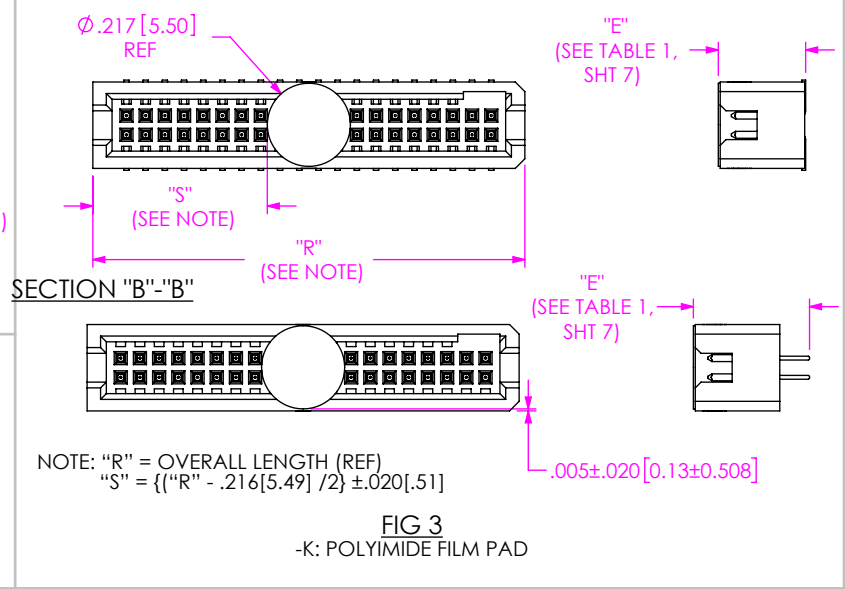
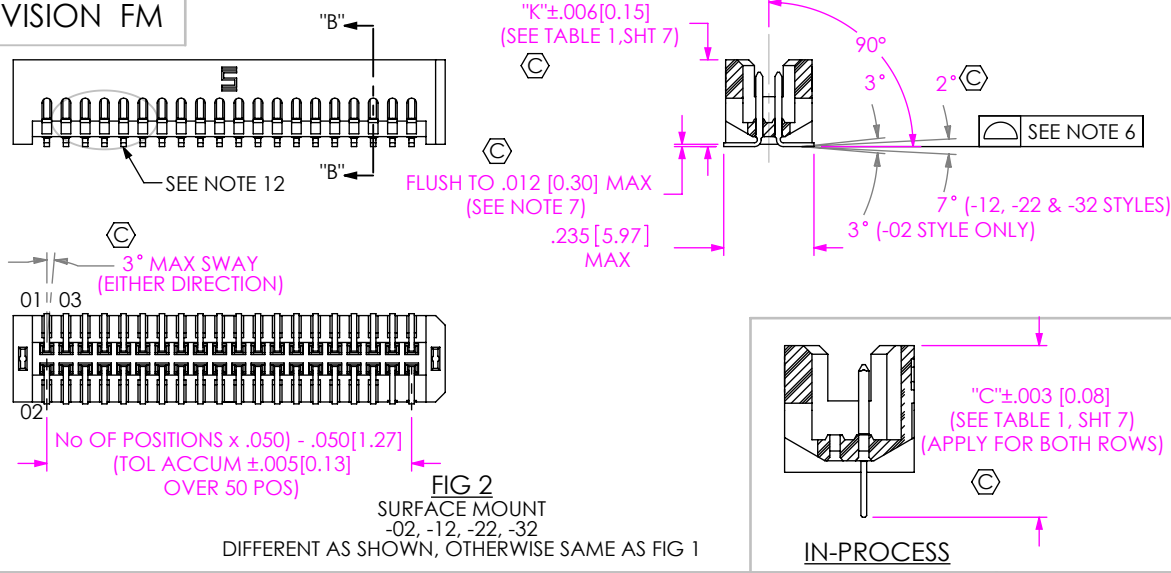
**MATERIAL:** DO NOT SCALE DRAWING SHEET SCALE: 2.5:1  
**INSULATOR:** LCP, UL 94-VO  
**COLOR:** BLACK  
**TERMINAL:** PHOSPHOR BRONZE



520 PARK EAST BLVD, NEW ALBANY, IN 47150  
PHONE: 812-944-6733 FAX: 812-948-5047  
e-Mail info@SAMTEC.com code 55322

**DESCRIPTION:** .050 X .050 TERMINAL STRIP  
**DWG. NO.** TFM-1XX-XX-XXX-D-XXX  
**BY:** garyp 11/5/2014 SHEET 1 OF 7

REVISION FM



PROPRIETARY NOTE  
THIS DOCUMENT CONTAINS CONFIDENTIAL AND PROPRIETARY INFORMATION AND ALL DESIGN, MANUFACTURING, REPRODUCTION, USE, PATENT RIGHTS AND SALES RIGHTS ARE EXPRESSLY RESERVED BY SAMTEC, INC. THIS DOCUMENT SHALL NOT BE DISCLOSED, IN WHOLE OR PART, TO ANY UNAUTHORIZED PERSON OR ENTITY NOR REPRODUCED, TRANSFERRED OR INCORPORATED IN ANY OTHER PROJECT IN ANY MANNER WITHOUT THE EXPRESS WRITTEN CONSENT OF SAMTEC, INC.

DO NOT SCALE DRAWING

SHEET SCALE: 2:1

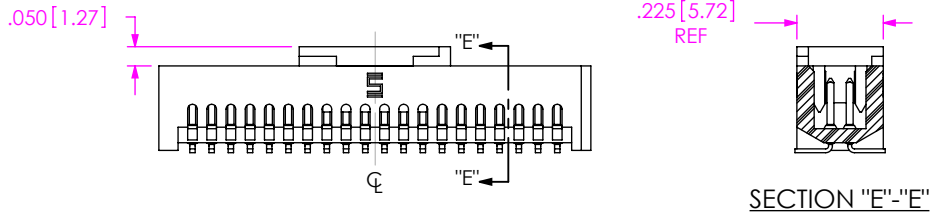
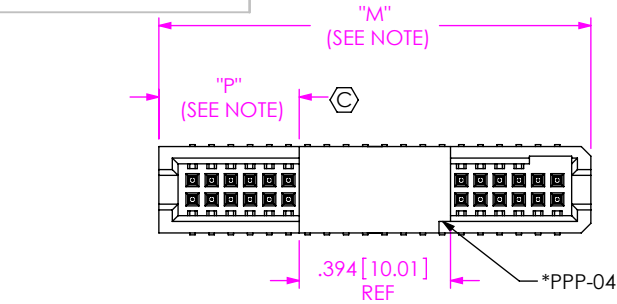
F:\DWG\MISC\MKTG\TFM-1XX-XX-XXX-D-XXX-MKT.SLDDRW

520 PARK EAST BLVD, NEW ALBANY, IN 47150  
PHONE: 812-944-6733 FAX: 812-948-5047  
e-Mail info@SAMTEC.com code 55322

DESCRIPTION:  
.050 X .050 TERMINAL STRIP

DWG. NO.  
TFM-1XX-XX-XXX-D-XXX

BY: garyp 11/5/2014 SHEET 2 OF 7



NOTE: "M" = (No. OF POSITIONS X .050[1.27]) + .125[3.18] (REF)  
 WITH -WT "M" = (No. OF POSITIONS X .050[1.27]) + .263[6.68] (REF)  
 "P" = {("M" - .394[10.01]) / 2} ±.020[.51]

\* NOTCH ON PAD TO BE ON SAME END AS THE NOTCH IN THE TFM BODY

FIG 7  
 -P OPTION  
 DIFFERENT AS SHOWN, OTHERWISE SAME AS FIG 1  
 (PAD TO BE POSITIONED ON C.L. AS SHOWN)

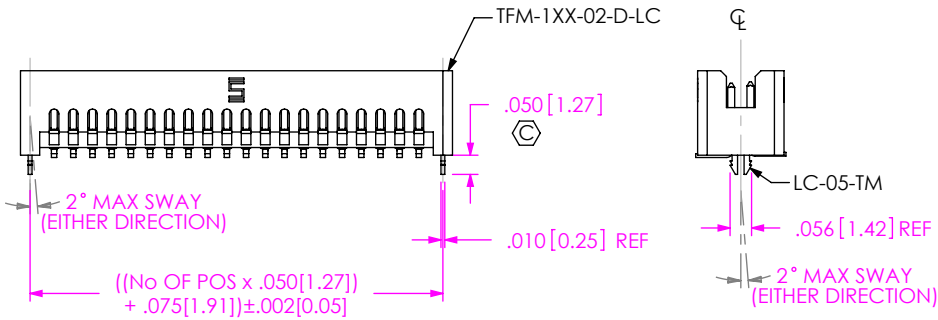


FIG 10  
 -LC OPTION  
 DIFFERENT AS SHOWN, OTHERWISE SAME AS FIG 1  
 (NOT AVAILBLE ON -RA)

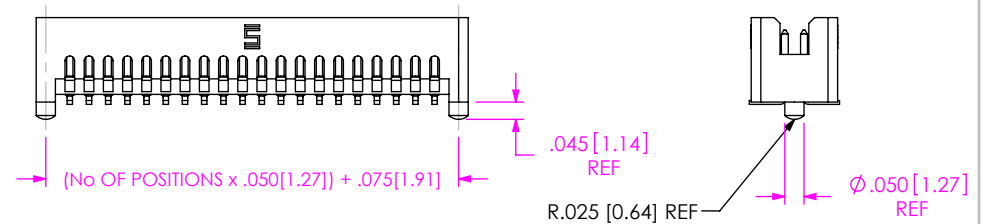


FIG 8  
 -A OPTION  
 DIFFERENT AS SHOWN, OTHERWISE SAME AS FIG 1

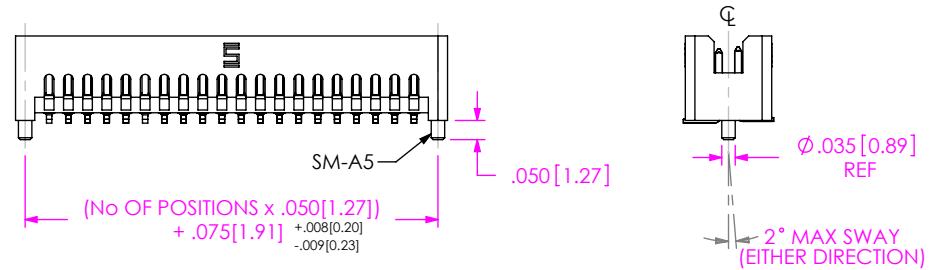


FIG 9  
 -SA OPTION: STAKED ALIGNMENT PIN  
 DIFFERENT AS SHOWN, OTHERWISE SAME AS FIG 1

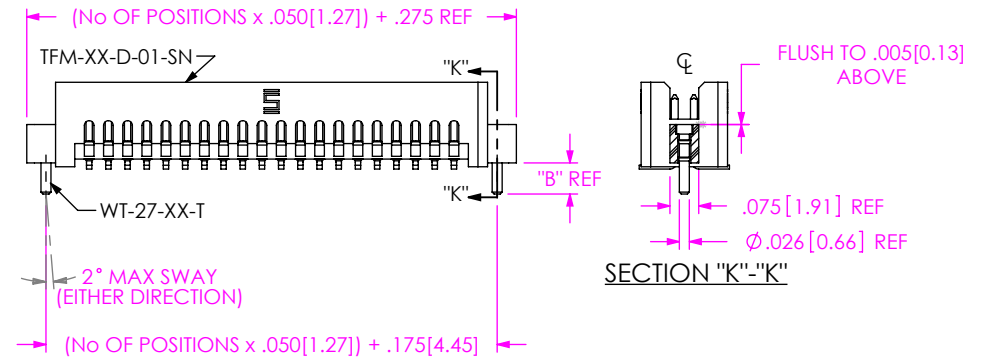


FIG 12  
 -SNX: SOLDER NAIL  
 DIFFERENT AS SHOWN, OTHERWISE SAME AS FIG 1

| TABLE 4 |           |
|---------|-----------|
| OPTION  | "B"       |
| -SN     | .081 2.06 |
| -SN2    | .115 2.92 |

F:\DWG\MISC\MKTG\TFM-1XX-XX-XXX-D-XXX-MKT.SLDDRW

**PROPRIETARY NOTE**  
 THIS DOCUMENT CONTAINS CONFIDENTIAL AND PROPRIETARY INFORMATION AND ALL DESIGN, MANUFACTURING, REPRODUCTION, USE, PATENT RIGHTS AND SALES RIGHTS ARE EXPRESSLY RESERVED BY SAMTEC, INC. THIS DOCUMENT SHALL NOT BE DISCLOSED, IN WHOLE OR PART, TO ANY UNAUTHORIZED PERSON OR ENTITY NOR REPRODUCED, TRANSFERRED OR INCORPORATED IN ANY OTHER PROJECT IN ANY MANNER WITHOUT THE EXPRESS WRITTEN CONSENT OF SAMTEC, INC.

DO NOT SCALE DRAWING

SHEET SCALE: 2:1

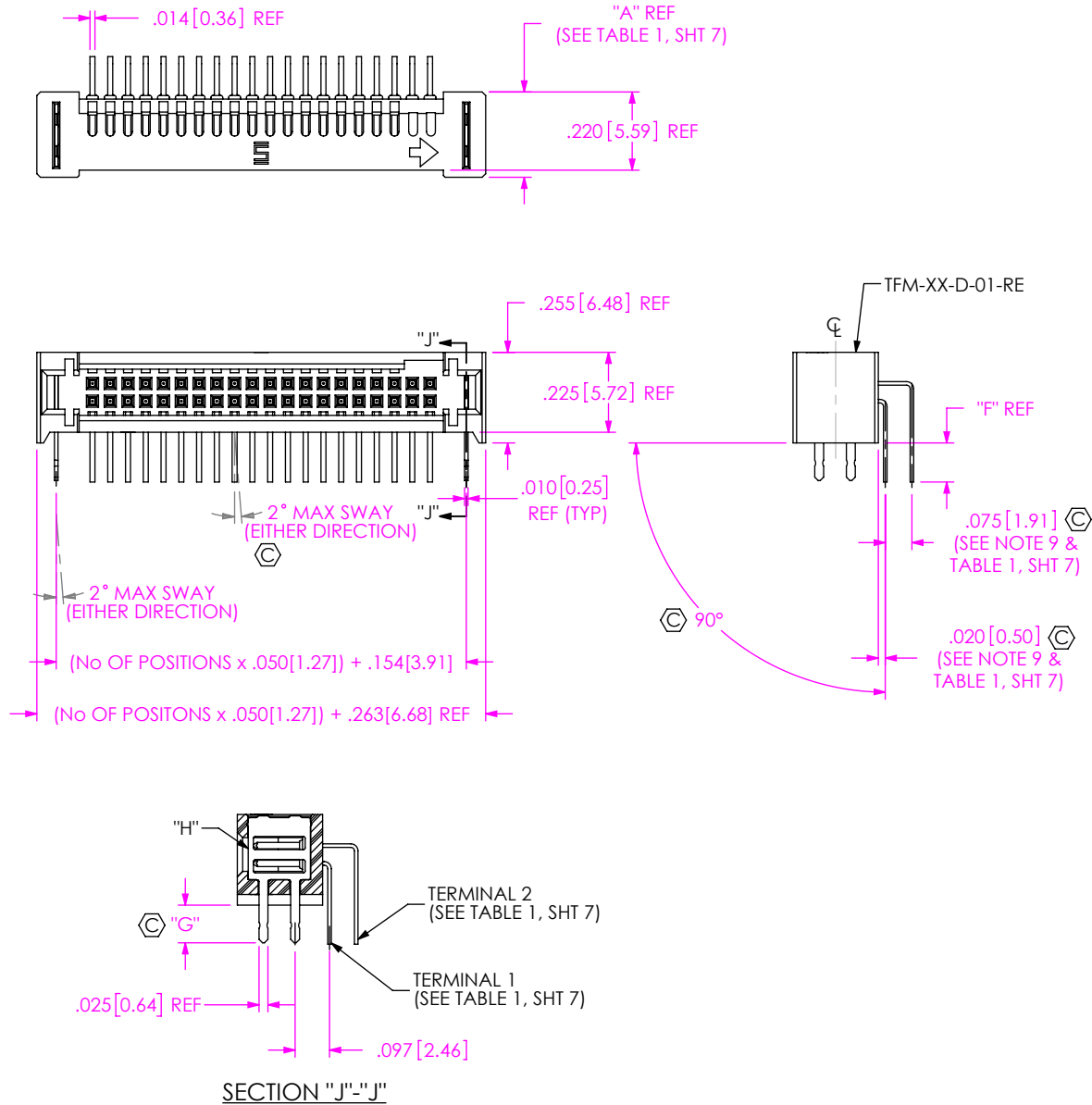


520 PARK EAST BLVD, NEW ALBANY, IN 47150  
 PHONE: 812-944-6733 FAX: 812-948-5047  
 e-Mail info@SAMTEC.com code 55322

DESCRIPTION:  
 .050 X .050 TERMINAL STRIP

DWG. NO.  
**TFM-1XX-XX-XXX-D-XXX**

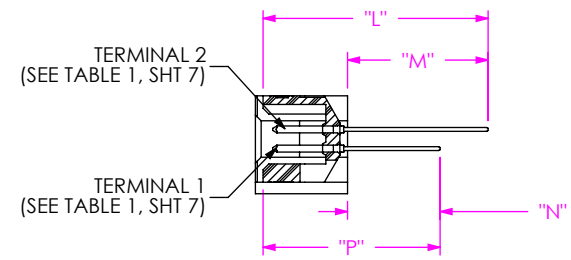
BY: garyp 11/5/2014 SHEET 3 OF 7



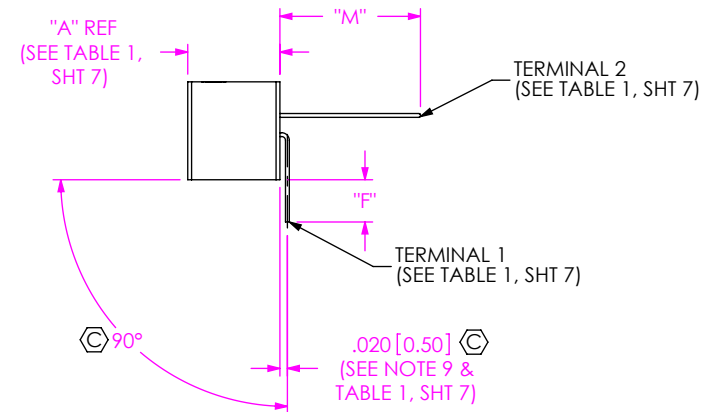
**TABLE 3**

| LEAD STYLE | "F"         | "G"         | "L"          | "M"         | "N"         | "P"          | "H"        |
|------------|-------------|-------------|--------------|-------------|-------------|--------------|------------|
| -01-RE1    | .078 [1.98] | .074 [1.88] | .550 [13.97] | .335 [8.51] | .210 [5.33] | .430 [10.92] | WT-81-01-T |
| -01-RE2    | .110 [2.79] | .106 [2.69] | .586 [14.88] | .366 [9.30] | .241 [6.12] | .461 [11.71] | WT-81-02-T |

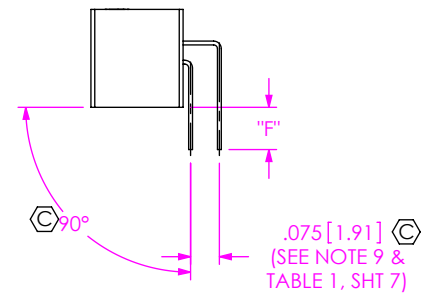
**FIG 11**  
 -REX: RIGHT ANGLE ELEVATED  
 TFM-120-XX-XXX-D-RE2 SHOWN  
 DIFFERENT AS SHOWN, OTHERWISE SAME AS FIG 1



**IN-PROCESS 1**  
 (ORIENT I.D. MARK AS SHOWN)  
 (FOR -RA OPTION ONLY)



**IN-PROCESS 2**



**IN-PROCESS 3**

F:\DWG\MISC\MKTG\TFM-1XX-XX-XXX-D-XXX-MKT.SLDDRW

**PROPRIETARY NOTE**  
 THIS DOCUMENT CONTAINS CONFIDENTIAL AND PROPRIETARY INFORMATION AND ALL DESIGN, MANUFACTURING, REPRODUCTION, USE, PATENT RIGHTS AND SALES RIGHTS ARE EXPRESSLY RESERVED BY SAMTEC, INC. THIS DOCUMENT SHALL NOT BE DISCLOSED, IN WHOLE OR PART, TO ANY UNAUTHORIZED PERSON OR ENTITY NOR REPRODUCED, TRANSFERRED OR INCORPORATED IN ANY OTHER PROJECT IN ANY MANNER WITHOUT THE EXPRESS WRITTEN CONSENT OF SAMTEC, INC.

DO NOT SCALE DRAWING

SHEET SCALE: 2:1



520 PARK EAST BLVD, NEW ALBANY, IN 47150  
 PHONE: 812-944-6733 FAX: 812-948-5047  
 e-Mail info@SAMTEC.com code 55322

DESCRIPTION:  
 .050 X .050 TERMINAL STRIP

DWG. NO. **TFM-1XX-XX-XXX-D-XXX**

BY: garyp 11/5/2014 SHEET 4 OF 7

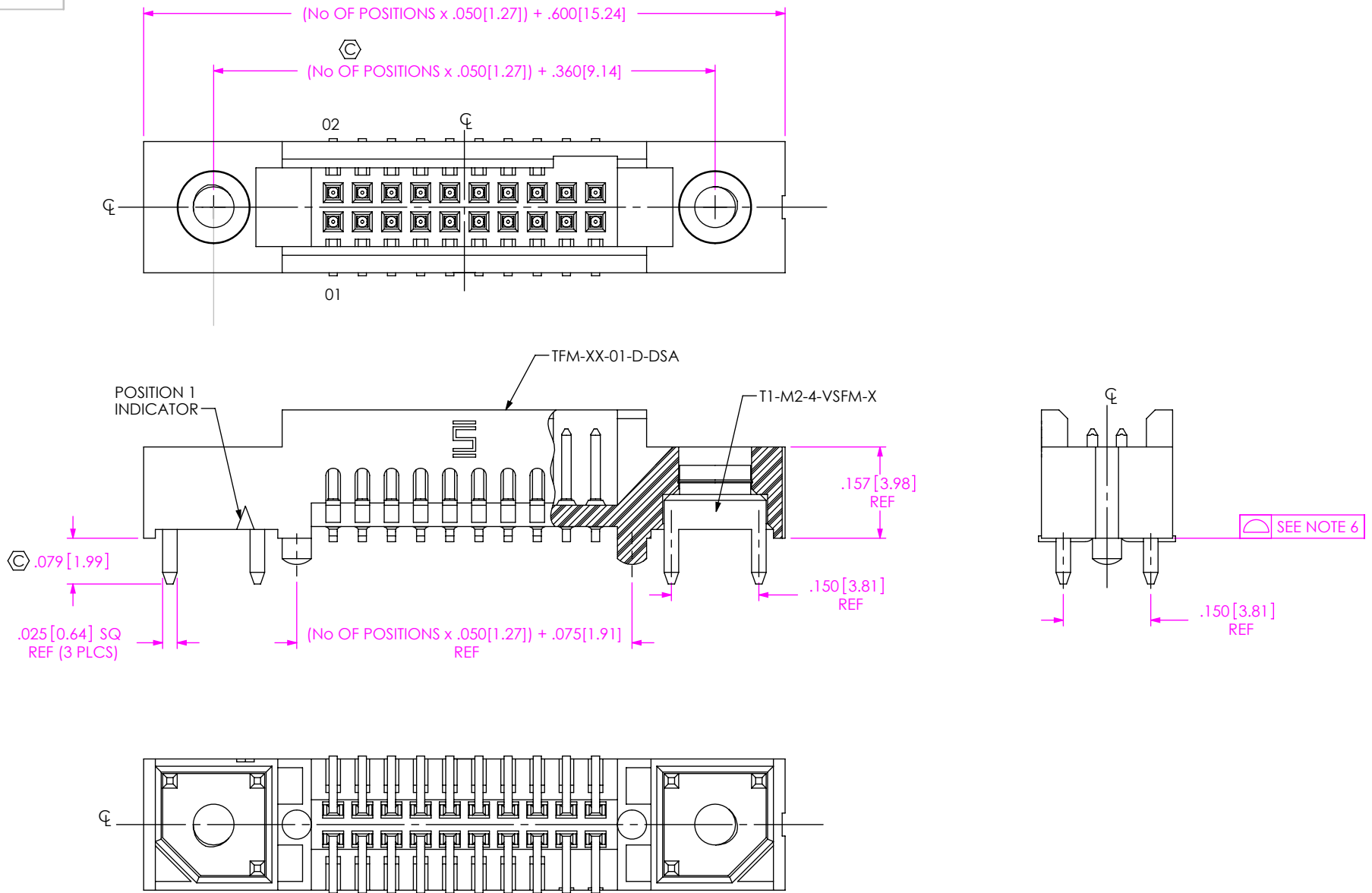


FIG 18  
 -DS: DUAL SCREW DOWN  
 TFM-110-02-XXX-D-DS SHOWN  
 DIFFERENT AS SHOWN, OTHERWISE SAME AS FIG 1

F:\DWG\MISC\MKTG\TFM-1XX-XX-XXX-D-XXX-MKT.SLDDRW

**PROPRIETARY NOTE**  
 THIS DOCUMENT CONTAINS CONFIDENTIAL AND PROPRIETARY INFORMATION AND ALL DESIGN, MANUFACTURING, REPRODUCTION, USE, PATENT RIGHTS AND SALES RIGHTS ARE EXPRESSLY RESERVED BY SAMTEC, INC. THIS DOCUMENT SHALL NOT BE DISCLOSED, IN WHOLE OR PART, TO ANY UNAUTHORIZED PERSON OR ENTITY NOR REPRODUCED, TRANSFERRED OR INCORPORATED IN ANY OTHER PROJECT IN ANY MANNER WITHOUT THE EXPRESS WRITTEN CONSENT OF SAMTEC, INC.

DO NOT SCALE DRAWING  
 SHEET SCALE: 2:1



520 PARK EAST BLVD, NEW ALBANY, IN 47150  
 PHONE: 812-944-6733 FAX: 812-948-5047  
 e-Mail info@SAMTEC.com code 55322

|              |                            |              |
|--------------|----------------------------|--------------|
| DESCRIPTION: | .050 X .050 TERMINAL STRIP |              |
| DWG. NO.     | TFM-1XX-XX-XXX-D-XXX       |              |
| BY:          | garyp                      | 11/5/2014    |
|              |                            | SHEET 5 OF 7 |

# PARTS TO BE PACKAGED IN TUBES AS SHOWN

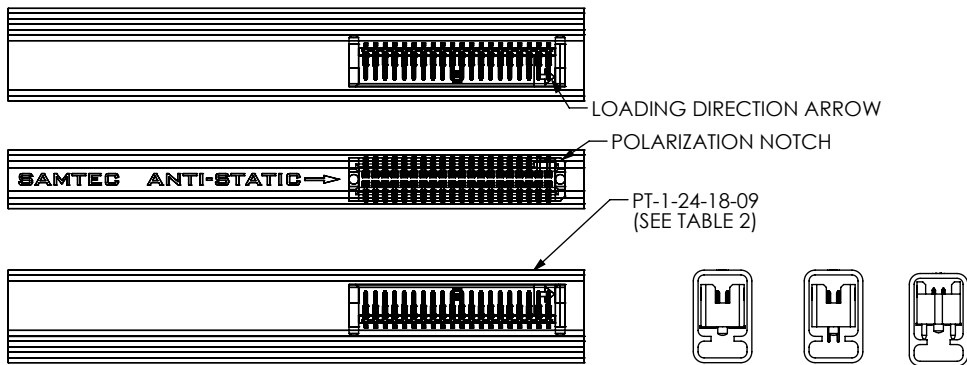


FIG 13  
PT-1-24-18-09

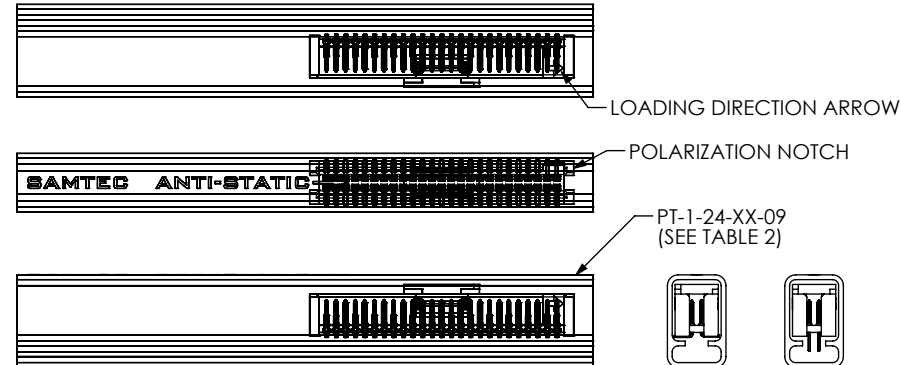


FIG 14  
PT-1-24-XX-09

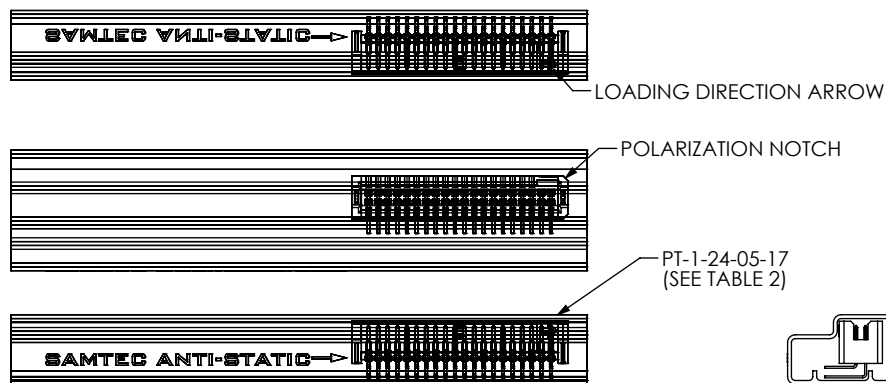


FIG 15  
PT-1-24-05-17

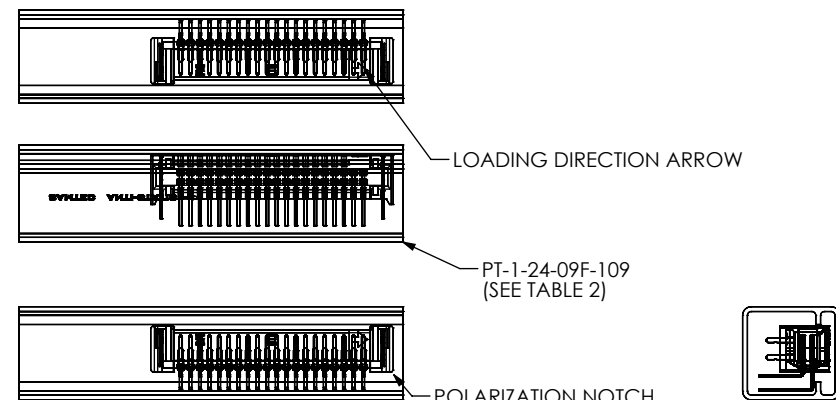


FIG 16  
PT-1-24-09F-109

TABLE 2

| LEAD STYLE  | PACKAGING TUBE      | PLUG  |
|---|---------------------|-------|
| -RA (ALL LEAD STYLES)   | PT-1-24-05-17       | TP-07 |
| -REX  | PT-1-24-09F-109     | TP-29 |
| -01, -01-A, -01-LC, -01-WT, -01-A-K, -02, -02-A, -02-A-K, -02-LC, -02-SN                          | PT-FTSH002-DV-A-P-M | TP-03 |
| -12 (ALL OPTIONS), -22-K, -22, -22-A, -22-A-K, -22-LC, -22-LC-K                                   | PT-1-24-04-09       | TP-07 |
| -02-A-P, -02-K, -02-LC-K, -02-LC-P, -02-P, -02-WT, -02-WT-K                                       | PT-1-24-18-09       | TP-09 |
| -01-K, -01-P, -01-LC-P, -01-A-P, -01-WT-P, -01-WT-K, -11, -11-A, -11-LC, -11-K, -11-LC-K, -11-A-K |                     |       |
| -03 (ALL OPTIONS)   |                     |       |
| -13, -13-A, -13-LC, -13-K, -13-LC-K, -13-A-K  | PT-1-24-02-09       | TP-07 |
| -01-DS, -02-DS  |                     |       |
| -31-A-K, -31-A-P, -31-LC-P, -31-P, -32, -32-K, -32-A, -32-A-K,                                    |                     |       |
| -32-A-P, -32-LC-K, -32-LC-P, -32-P, -32-LC  |                     |       |
| -31, -21-P, -22-P, -31-LC, -21-A-P, -21-LC-P, -22-LC-P, -22-A-P, -31-A,                           | PT-1-24-05-09       | TP-07 |
| -13-P, -13-LC-P, -13-A-P, -21, -23, -23-P, -23-A-P,   |                     |       |
| -11-P, -11-LC-P, -11-A-P, -21-K, -21-A, -21-LC, -21-A-K, -21-LC-K,                                | PT-1-24-20-09       | TP-07 |
| -23-K, -23-A, -23-A-K, -23-LC, -23-LC-K   |                     |       |

NOTE:

1. PARTS TO BE PACKAGED WITH THE LOADING DIRECTION ARROW POINTED IN SAME DIRECTION AS THE ARROW ON TUBE.
2. A PART WITH -SA OPTION WILL USE THE SAME TUBE AS THE CORRESPONDING PART WITH THE -A OPTION

PROPRIETARY NOTE

THIS DOCUMENT CONTAINS CONFIDENTIAL AND PROPRIETARY INFORMATION AND ALL DESIGN, MANUFACTURING, REPRODUCTION, USE, PATENT RIGHTS AND SALES RIGHTS ARE EXPRESSLY RESERVED BY SAMTEC, INC. THIS DOCUMENT SHALL NOT BE DISCLOSED, IN WHOLE OR PART, TO ANY UNAUTHORIZED PERSON OR ENTITY NOR REPRODUCED, TRANSFERRED OR INCORPORATED IN ANY OTHER PROJECT IN ANY MANNER WITHOUT THE EXPRESS WRITTEN CONSENT OF SAMTEC, INC.

DO NOT SCALE DRAWING

SHEET SCALE: 2:1

F:\DWG\MISC\MKTG\TFM-1XX-XX-XXX-D-XXX-MKT.SLDDRW



520 PARK EAST BLVD, NEW ALBANY, IN 47150  
PHONE: 812-944-6733 FAX: 812-948-5047  
e-Mail: info@SAMTEC.com code 55322

DESCRIPTION: .050 X .050 TERMINAL STRIP

DWG. NO. TFM-1XX-XX-XXX-D-XXX

BY: garyp 11/5/2014 SHEET 6 OF 7

| TABLE 1    |                |                |                |              |              |             |              |             |              |
|------------|----------------|----------------|----------------|--------------|--------------|-------------|--------------|-------------|--------------|
| LEAD STYLE | BODY           | "A"            | TERMINAL 1     | TERMINAL 2   | "C"          | "D"         | "E"          | "J"         | "K"          |
| -01        | TFM-XX-D-01-XX | .2200 [5.588]  | T-1R16-01-XX-2 | N/A          | .298 [7.57]  | .131 [3.33] | .303 [7.70]  | .078 [1.98] | N/A          |
| -11        | TFM-XX-D-02-XX | .2900 [7.366]  | T-1R20-03-XX   | N/A          | .370 [9.40]  | .139 [3.53] | .375 [9.53]  | .080 [2.03] | N/A          |
| -21        | TFM-XX-D-03-XX | .3600 [9.144]  | T-1R20-04-XX   | N/A          | .440 [11.18] | .139 [3.53] | N/A          | .080 [2.03] | N/A          |
| -31        | TFM-XX-D-04-XX | .4350 [11.049] | T-1R20-02-XX   | N/A          | .515 [13.08] | .139 [3.53] | .520 [13.21] | .080 [2.03] | N/A          |
| -02        | TFM-XX-D-01-XX | .2200 [5.588]  | T-1R16-01-XX-2 | N/A          | .298 [7.57]  | .131 [3.33] | .231 [5.87]  | N/A         | .226 [5.74]  |
| -12        | TFM-XX-D-02-XX | .2900 [7.366]  | T-1R20-03-XX   | N/A          | .370 [9.40]  | .139 [3.53] | .301 [7.65]  | N/A         | .296 [7.52]  |
| -22        | TFM-XX-D-03-XX | .3600 [9.144]  | T-1R20-04-XX   | N/A          | .440 [11.18] | .139 [3.53] | .371 [9.42]  | N/A         | .366 [9.30]  |
| -32        | TFM-XX-D-04-XX | .4350 [11.049] | T-1R20-02-XX   | N/A          | .515 [13.08] | .139 [3.53] | .446 [11.33] | N/A         | .441 [11.20] |
| -01-RA     | TFM-XX-D-01-XX | .2200 [5.588]  | T-1R16-02-XX   | T-1R16-03-XX | N/A          | .142 [3.59] | N/A          | N/A         | N/A          |
| -01-RE1    | TFM-XX-D-01-RE | .2400 [6.096]  | T-1R16-06-XX   | T-1R16-07-XX | N/A          | .139 [3.52] | N/A          | N/A         | N/A          |
| -01-RE2    | TFM-XX-D-01-RE | .2400 [6.096]  | T-1R16-08-XX   | T-1R16-09-XX | N/A          | .139 [3.52] | N/A          | N/A         | N/A          |
| -03        | TFM-XX-D-01-XX | .2200 [5.588]  | T-1R16-10-XX   | N/A          | .331 [8.41]  | .139 [3.53] | .336 [8.53]  | .111 [2.82] | N/A          |
| -13        | TFM-XX-D-02-XX | .2900 [7.366]  | T-1R20-05-XX   | N/A          | .401 [10.19] | .139 [3.53] | .406 [10.31] | .111 [2.82] | N/A          |
| -23        | TFM-XX-D-03-XX | .3600 [9.144]  | T-1R20-06-XX   | N/A          | .471 [11.96] | .139 [3.53] | .476 [12.09] | .111 [2.82] | N/A          |

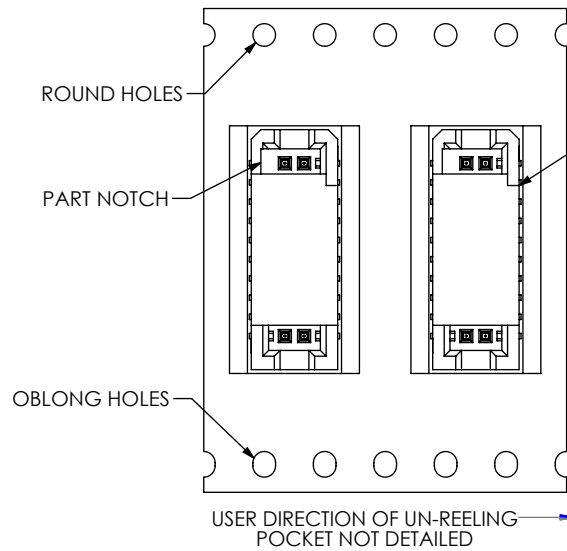


FIG 4  
-TR: TAPE AND REEL  
(SEE NOTE 14)

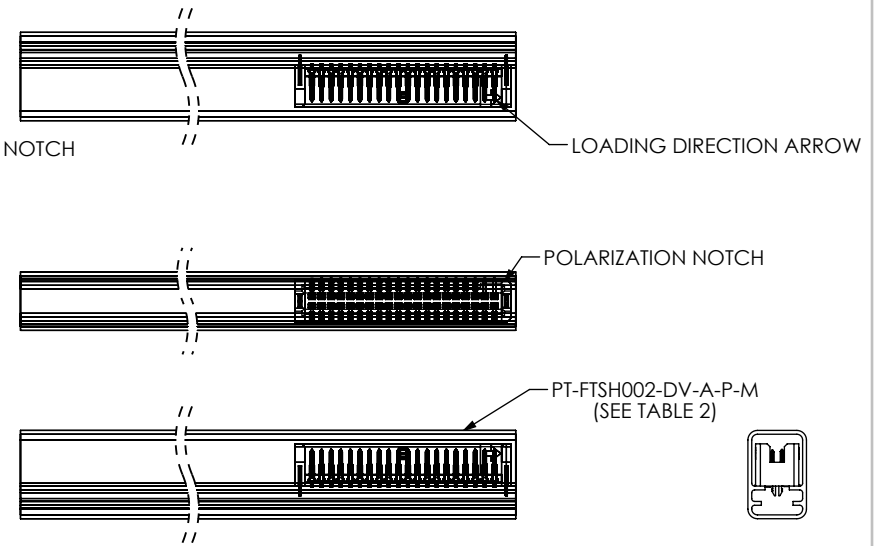


FIG 17  
PT-FTSH002-DV-A-P-M

F:\DWG\MISC\MKTG\TFM-1XX-XX-XXX-D-XXX-MKT.SLDDRW

**PROPRIETARY NOTE**  
THIS DOCUMENT CONTAINS CONFIDENTIAL AND PROPRIETARY INFORMATION AND ALL DESIGN, MANUFACTURING, REPRODUCTION, USE, PATENT RIGHTS AND SALES RIGHTS ARE EXPRESSLY RESERVED BY SAMTEC, INC. THIS DOCUMENT SHALL NOT BE DISCLOSED, IN WHOLE OR PART, TO ANY UNAUTHORIZED PERSON OR ENTITY NOR REPRODUCED, TRANSFERRED OR INCORPORATED IN ANY OTHER PROJECT IN ANY MANNER WITHOUT THE EXPRESS WRITTEN CONSENT OF SAMTEC, INC.

DO NOT SCALE DRAWING  
SHEET SCALE: 2:1

**samtec**  
520 PARK EAST BLVD, NEW ALBANY, IN 47150  
PHONE: 812-944-6733 FAX: 812-948-5047  
e-Mail info@SAMTEC.com code 55322

DESCRIPTION: .050 X .050 TERMINAL STRIP  
DWG. NO. TFM-1XX-XX-XXX-D-XXX  
BY: garyp 11/5/2014 SHEET 7 OF 7