

THIS DRAWING IS UNPUBLISHED. RELEASED FOR PUBLICATION 20
 © COPYRIGHT 20 BY - ALL RIGHTS RESERVED.

REVISIONS					
P	LTR	DESCRIPTION	DATE	DWN	APVD
B		ECR-16-010100 UPDATE NAME	14JUL2016	L.Z	X.X
B1		ECR-18-008476, ADD PCB LAYOUT	08JUN2018	G.W	C.W
B2		ECR-18-009727	22JUN2018	G.W	C.W

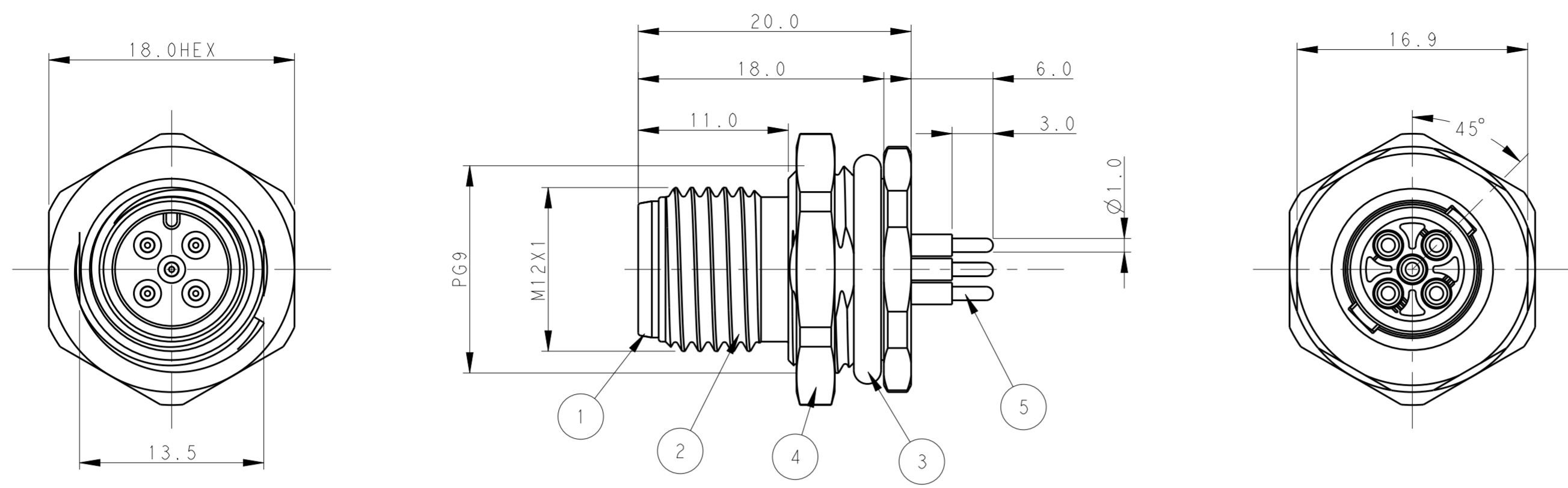
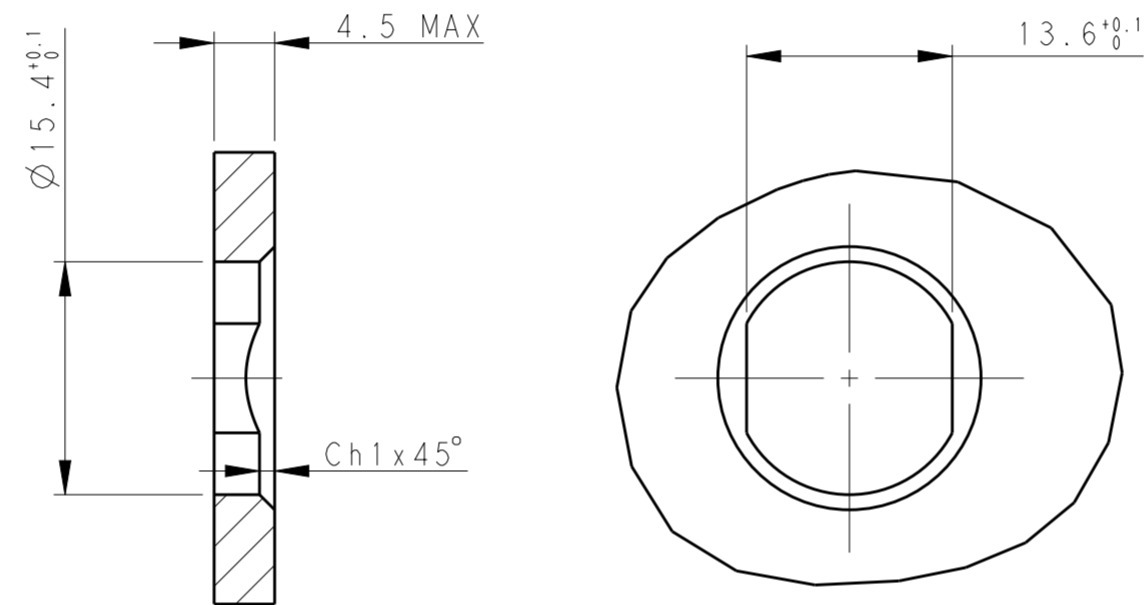


TABLE 1

TECHNICAL DATA	T4140012021-000	T4140012031-000	T4140012041-000	T4140012051-000
RATED VOLTAGE	250V	250V	250V	60V
RATED CURRENT	4A	4A	4A	4A
POLLUTION DEGREE	3	3	3	3
OVERVOLTAGE CATEGORY	II	II	II	II
MATERIAL GROUP	II	II	II	II
CONTACT RESISTANCE	<=10mΩ	<=10mΩ	<=10mΩ	<=10mΩ
INSULATION RESISTANCE	>100MΩ	>100MΩ	>100MΩ	>100MΩ
DEGREE OF PROTECTION	IP67	IP67	IP67	IP67
OPERATION TEMPERATURE	-40~85°C	-40~85°C	-40~85°C	-40~85°C



RECOMMENDED PANEL CUTOUT

- NOTE:
1. TECHNICAL DATA: SEE TABLE 1
 2. RECOMMENDED MOUNT PANEL SEE DETAIL
 3. PRODUCT COMPLIES WITH IEC61076-2-101
 4. PLASTIC INERT MATERIAL:UL LISTED WITH UL94V0 FLAME RATING
 5. ALL MATERIALS TO BE ROHS COMPLIANT
 6. ALL MATERIALS TO BE REACH COMPLIANT
 7. PN INFORMATION FOR ASSEMBLY PARTS

- 注释:
- 1: 技术参数, 见表1
 - 2: 推荐开孔尺寸详见如图所示
 - 3: 产品符合标准 IEC61076-2-101
 - 4: 塑胶材料符合UL标准, UL-94V0阻燃等级
 - 5: 所有材料符合ROHS参照标准TEC-138-705
 - 6: 所有材料符合REACH参照标准TEC-138-705
 - 7: 成品料号信息如下:

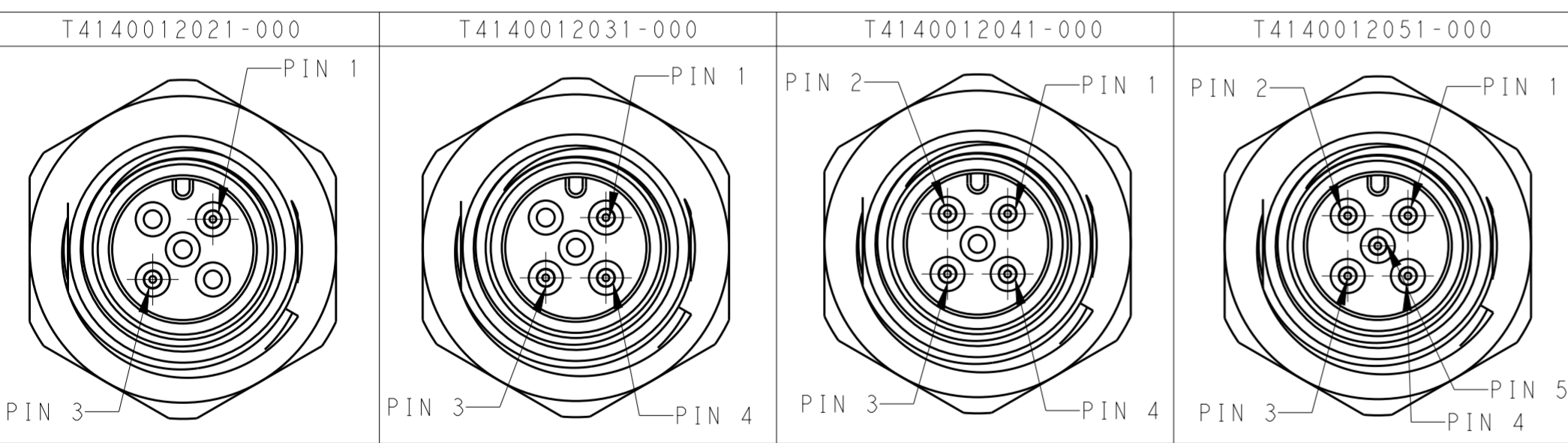
T41400120X1-000

- CONTACT FINISH:
 1: GOLD 3u''
 NUMBER OF PINS:
 02: 2 PINS
 03: 3 PINS
 04: 4 PINS
 05: 5 PINS

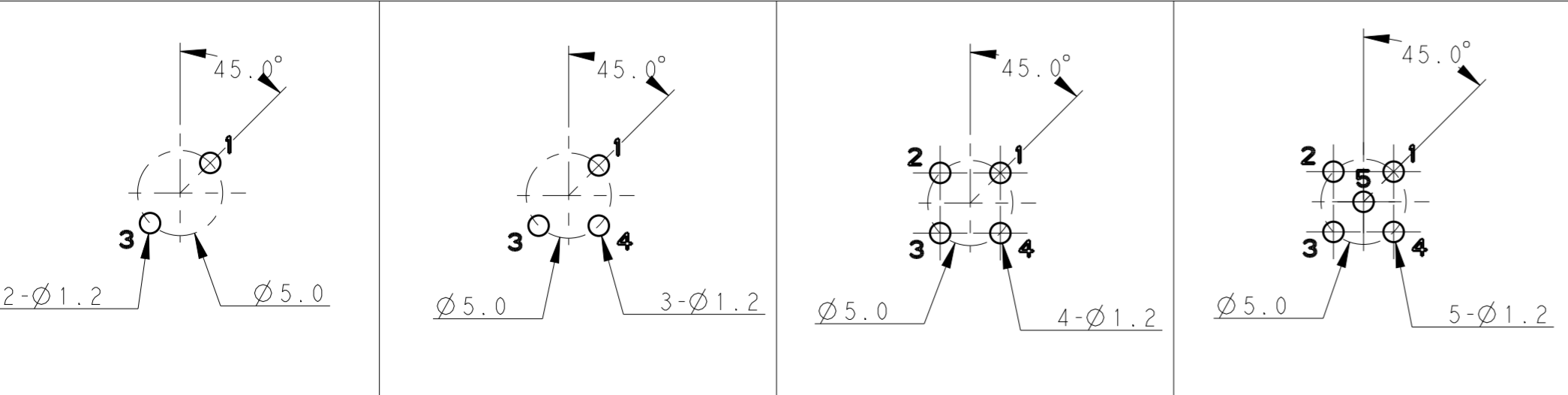
T41400120X1-000

- 端子电镀:
 1: 3u''金
 针数:
 02: 2 针
 03: 3 针
 04: 4 针
 05: 5 针

PIN ARRANGEMENT A-CODE



RECOMMENDED DRILLING DIAGRAM



T4140012021-000	RPC-M12-MF-2CON-PG9-LBU
T4140012031-000	RPC-M12-MF-3CON-PG9-LBU
T4140012041-000	RPC-M12-MF-4CON-PG9-LBU
T4140012051-000	RPC-M12-MF-5CON-PG9-LBU

TE	PN	TYPE	5	2	3	4	5
3u'' GOLD MIN.	COPPER ALLOY	CONTACT	5	2	3	4	5
200u'' NICKEL MIN.	COPPER ALLOY	METAL NUT	4	1	1	1	1
-	-	O-RING	3	1	1	1	1
200u'' NICKEL MIN.	COPPER ALLOY	M12, MALE, METAL BODY	2	1	1	1	1
-	PA66	M12, MALE HSG	1	1	1	1	1

THIS DRAWING IS A CONTROLLED DOCUMENT. DWN BO GAO 01FEB2016
 CHK KOBBY ZHAO 01FEB2016
 APVD XIANG XU 01FEB2016

STE TE Connectivity

NAME: M12 PANEL MOUNT CONNECTOR
 A CODE, MALE, REAR MOUNTING
 PCB SOLDERING

PRODUCT SPEC: 108-106140
 APPLICATION SPEC: 114-137144

SIZE: A2 CAGE CODE: - DRAWING NO: C-T41400120X1000 RESTRICTED TO: -
 WEIGHT: - SCALE: 3:1 SHEET 1 OF 1 REV: B2

CUSTOMER DRAWING