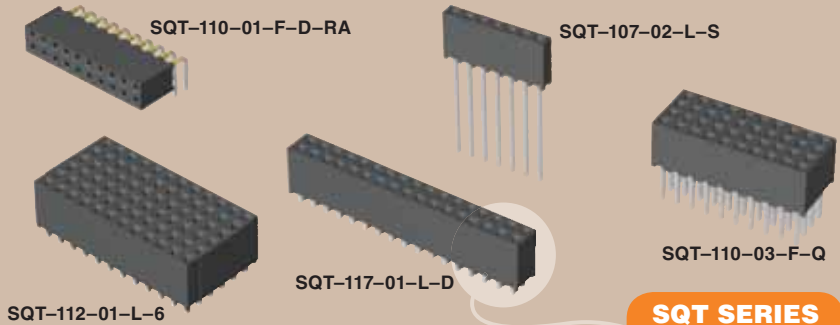




(2,00 mm) .0787"



SQT SERIES

COST-EFFECTIVE RUGGED SOCKETS

SPECIFICATIONS

For complete specifications see www.samtec.com?SQT

- Insulator Material:** Black Liquid Crystal Polymer
- Contact Material:** Phosphor Bronze
- Plating:** Sn or Au over 50µ" (1,27 µm) Ni
- Current Rating (TMMH/SQT):** 5.1 A per pin (1 pin powered per row)
- Voltage Rating:** 450 VAC mated with TMM or TMMH
- Operating Temp Range:** -55°C to +125°C
- Contact Resistance:** 10 mΩ
- Insertion Depth:** (2,62 mm) .103" to (5,03 mm) .198"
- Insertion Force:** (Single contact only) 4 oz (1,11 N) average
- Normal Force:** 60 grams (0,59 N) average
- Withdrawal Force:** (Single contact only) 3 oz (0,83 N) average
- Max Cycles:** 100 with 10µ" (0,25 µm) Au
- RoHS Compliant:** Yes
- Lead-Free Solderable:** Yes

RECOGNITIONS

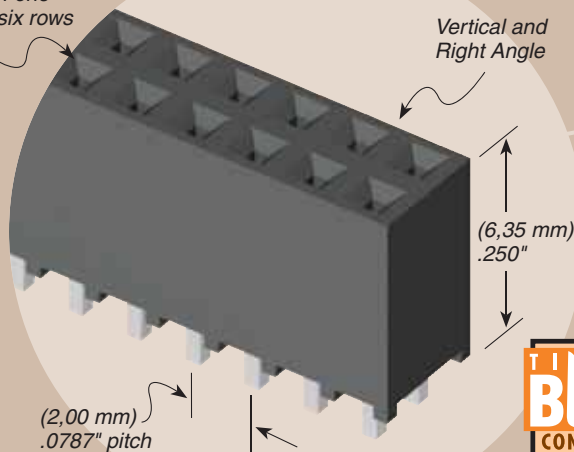
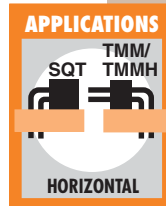
For complete scope of recognitions see www.samtec.com/quality



Mates with: TMMH, TMM, MTMM, MMT, TW, LTMM, ZLTMM, ESQT, TCMD, PTT, TSH

Choice of one through six rows

Vertical and Right Angle



Note: Some lengths, styles and options are non-standard, non-returnable.

SQT	1	NO. PINS PER ROW	LEAD STYLE	PLATING OPTION	ROW OPTION	OTHER OPTION
		02 thru 50	Specify LEAD STYLE from chart	-F = Gold flash on contact, Matte Tin on tail -L = 10µ" (0,25 µm) Gold on contact, Matte Tin on tail	-S = Single Row -D = Double Row -T = Triple Row -Q = Four Row -5 = Five Row -6 = Six Row	-RA = Right Angle (-Q, -5 & -6 Row not available) (Lead Style -01 only) -"XXX" = Polarized Position (Indicate position number)

LEAD STYLE	A
-01	(2,29) .090
-02	(15,24) .600
-03	(5,28) .208

$\text{No. of positions} \times (2,00) .0787 + (0,30) .012$
 (0,38) .015 (0,51) .020 SQ (2,00) .0787 TYP (6,35) .250
 (1,27) .050 (2,29) .090 (2,00) .0787

-RA OPTION (-Q, -5 & -6 not available)

Other Solutions

- Elevated** See ESQT Series.
- Surface Mount** See SQW and TLE Series.
- Low Profile** See CLT Series.
- High Reliability** See SMM Series.
- Press Fit** See PTF Series.

Due to technical progress, all designs, specifications and components are subject to change without notice.

WWW.SAMTEC.COM