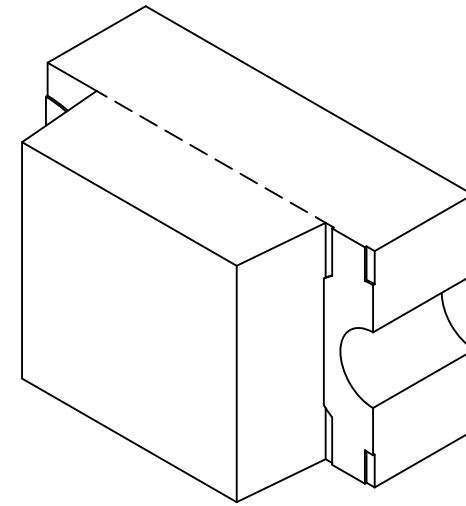
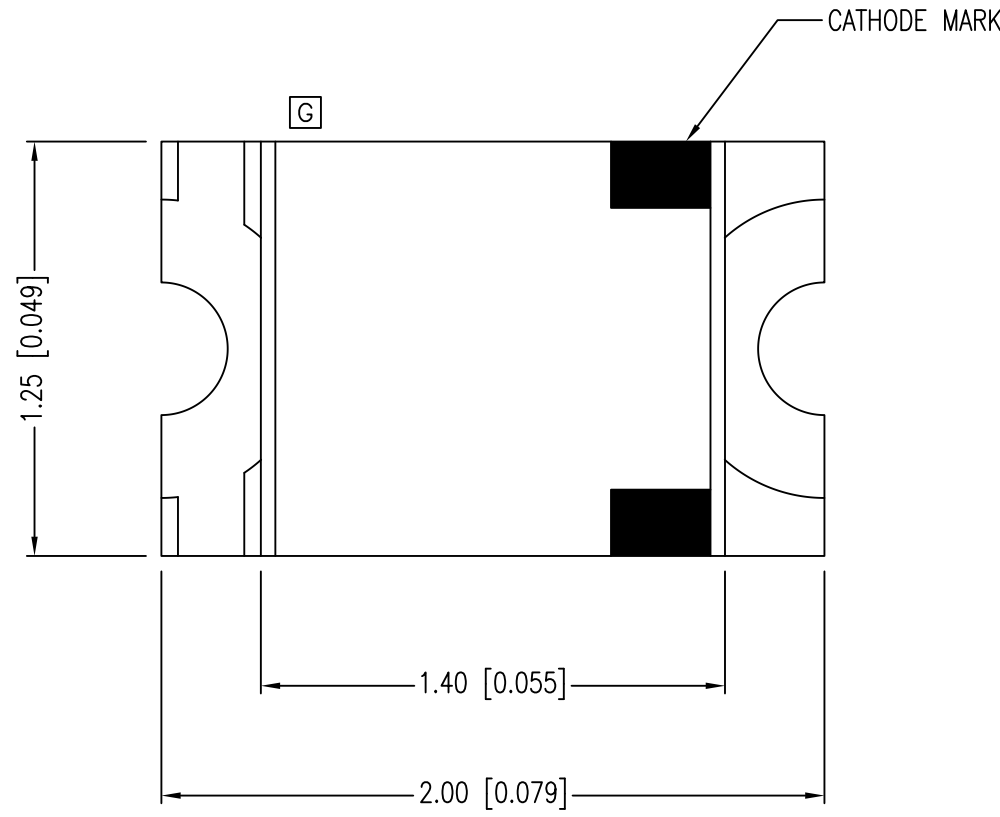


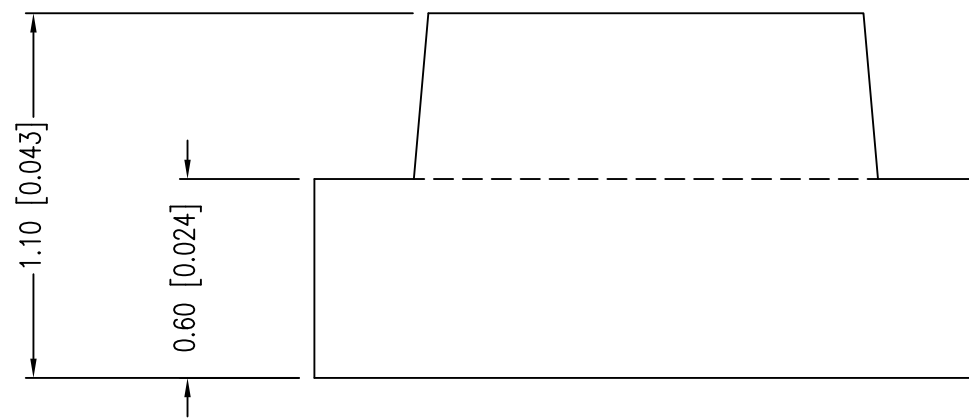
PART NUMBER	SML-LX0805SYC-TR	REV.	G
DATE	E.C.N. NUMBER AND REVISION COMMENTS		REV.
07.18.00	E.C.N. #10644. & REDRAWN IN 3D.		A
05.09.00	E.C.N. #10862.		B
03.14.03	E.C.N. #10932.		C
01.17.05	E.C.N. #10967.		D
03.06.08	E.C.N. #11508.		E
07.01.11	E.C.N. #10BRDR. & REDRAWN.		F
11.07.18	ECN-Lumex201800168		G



ELECTRO-OPTICAL CHARACTERISTICS TA =25°C If=20mA

PARAMETER	MIN	TYP.	MAX	UNITS	TEST COND
PEAK WAVELENGTH		590		nm	
FORWARD VOLTAGE		2.0	2.8	Vf	
REVERSE VOLTAGE	5.0			Vr	Ir=100µA
AXIAL INTENSITY		9		mcd	If=20mA
VIEWING ANGLE		140		2x theta 1/2	
EMITTED COLOR:	YELLOW				
EPOXY LENS FINISH:	WATER CLEAR				

ANODE CATHODE

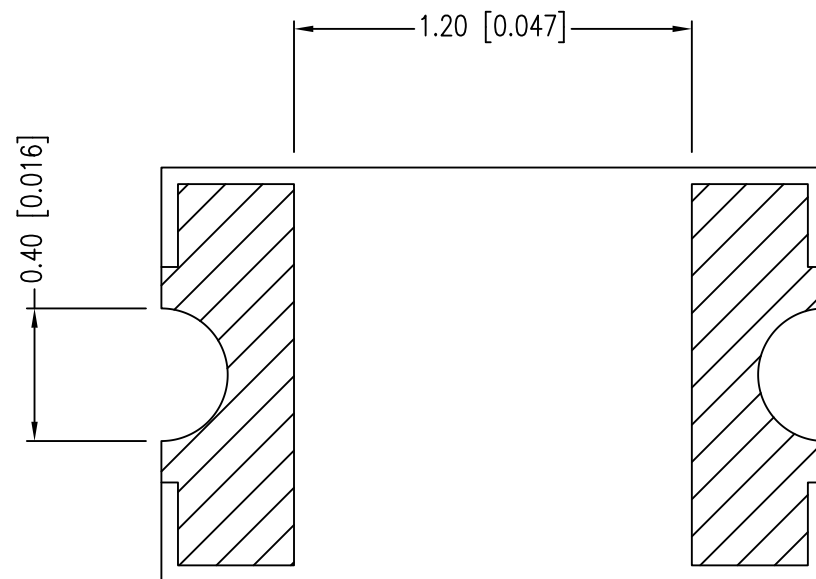


LIMITS OF SAFE OPERATION AT 25°C

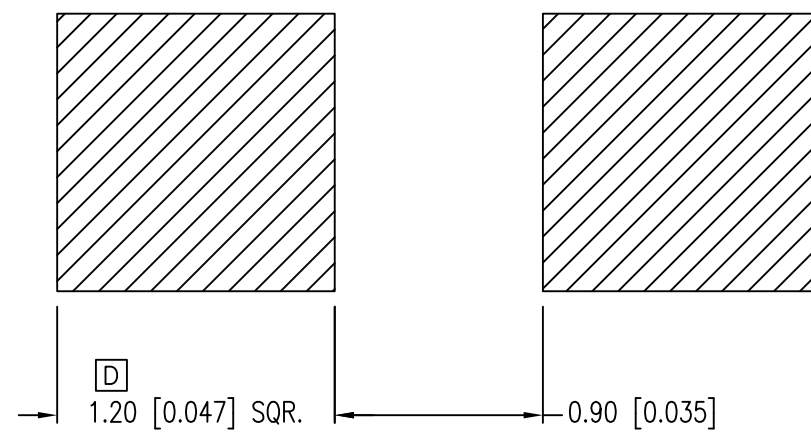
PARAMETER	MAX	UNITS
PEAK FORWARD CURRENT*	160	mA
STEADY CURRENT	30	mA
POWER DISSIPATION	100	mW
DERATE FROM 25°C	-1.2	mW/°C
OPERATING TEMP.	-40 TO +85	°C
STORAGE TEMP.	-40 TO +85	°C

* t<10µS

CAUTION: MOISTURE SENSITIVE DEVICE
PER JEDEC LEVEL 3 STANDARDS

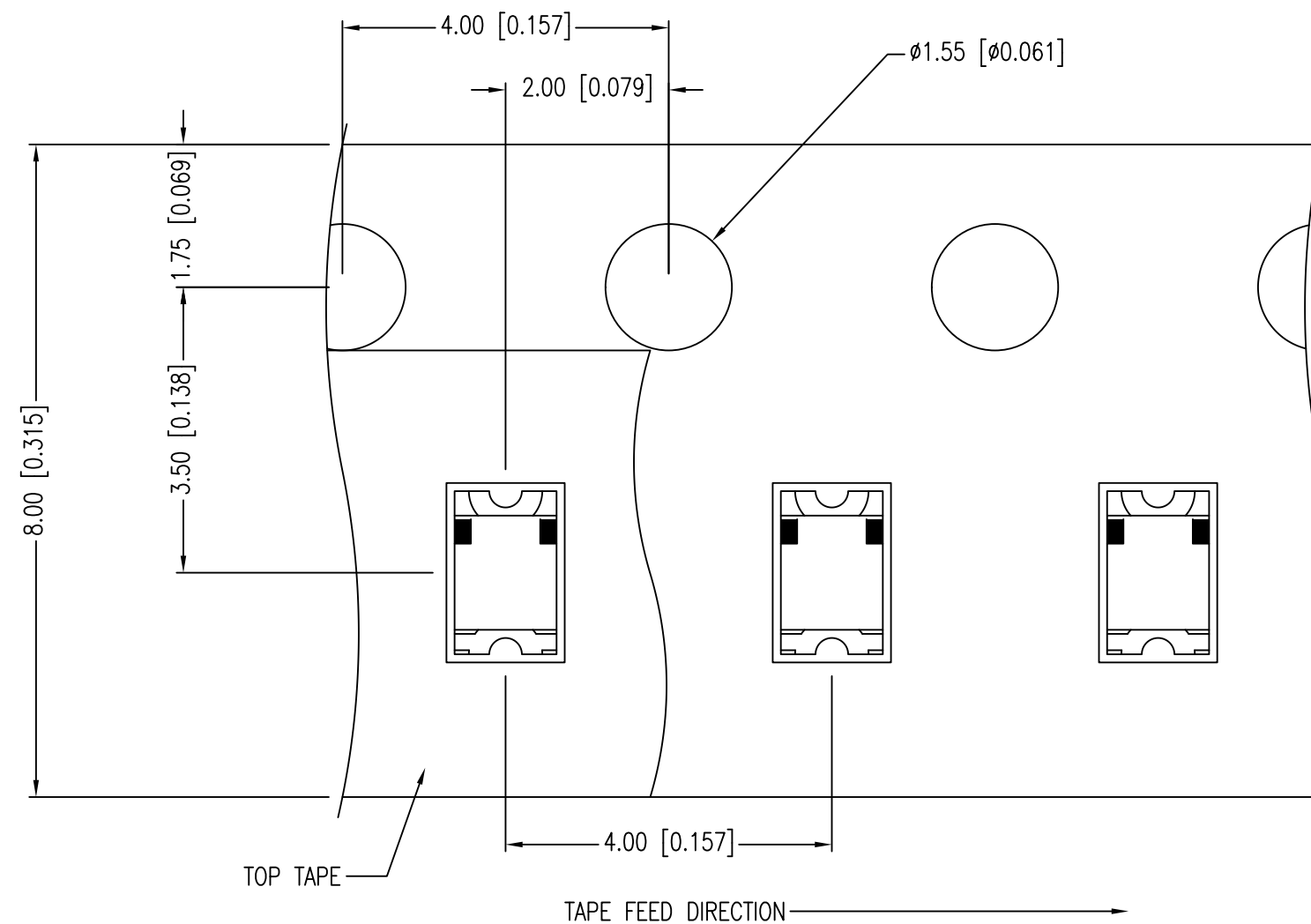
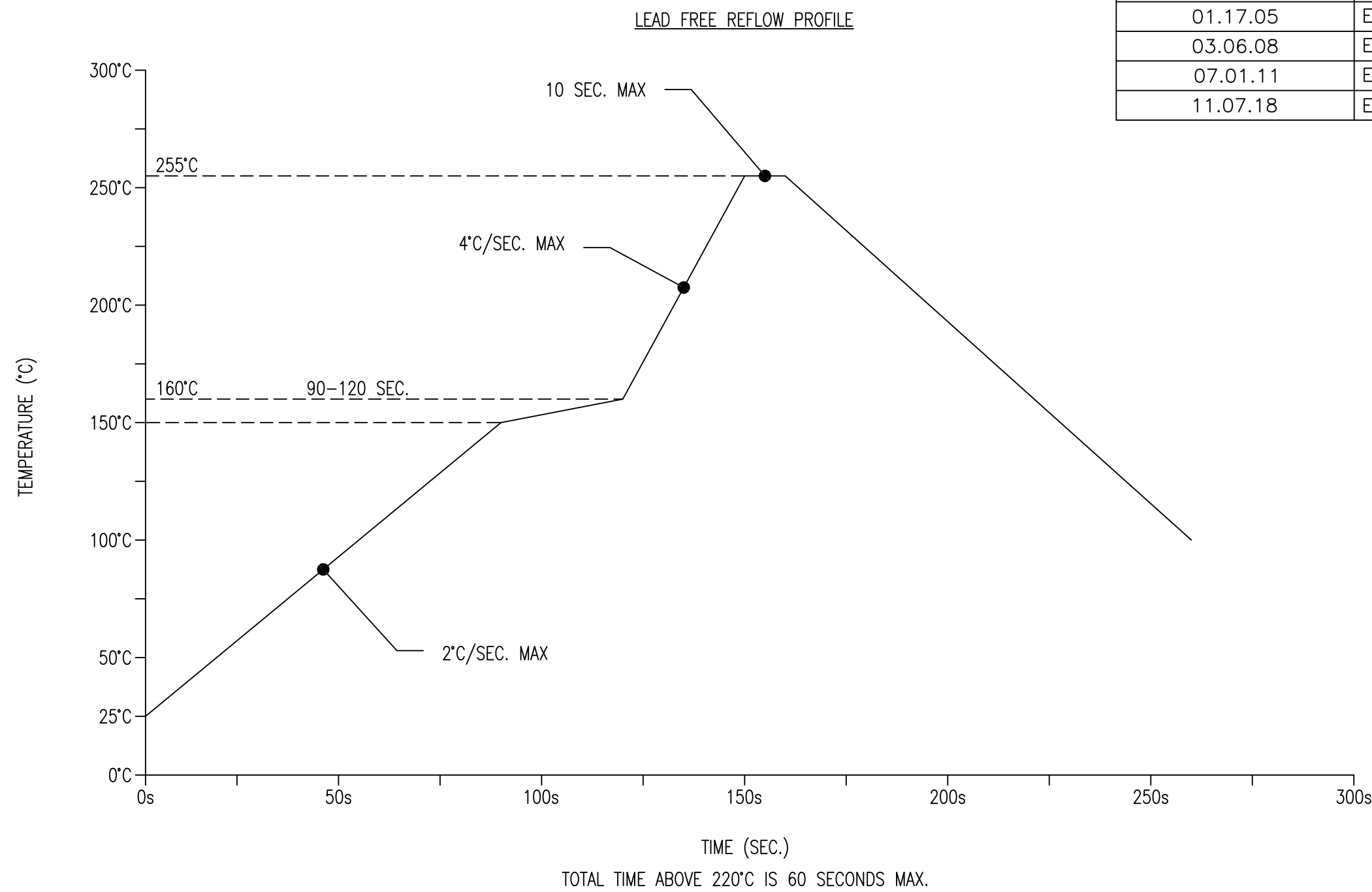


RECOMMENDED SOLDER PAD LAYOUT



*UNLESS OTHERWISE SPECIFIED TOLERANCES PER DECIMAL PRECISION ARE: X=±1 (±0.039), X.X=±0.5 (±0.020), X.XX=±0.25 (±0.010), X.XXX=±0.127 (±0.005). LEAD SIZE=±0.05 (±0.002), LEAD LENGTH=±0.75 (±0.030). MIN= ^{+0.00} -0.00 DECIMAL PRECISION MAX= ^{+0.00} -DECIMAL PRECISION

PART NUMBER	SML-LX0805SYC-TR	REV.	G
DATE	E.C.N. NUMBER AND REVISION COMMENTS	REV.	
07.18.00	E.C.N. #10644. & REDRAWN IN 3D.	A	
05.09.00	E.C.N. #10862.	B	
03.14.03	E.C.N. #10932.	C	
01.17.05	E.C.N. #10967.	D	
03.06.08	E.C.N. #11508.	E	
07.01.11	E.C.N. #10BRDR. & REDRAWN.	F	
11.07.18	ECN-Lumex201800168	G	



NOTES:

1. CATHODE MARK IS ORIENTED TOWARDS TAPE SPROCKET HOLE.

*UNLESS OTHERWISE SPECIFIED TOLERANCES PER DECIMAL PRECISION ARE: X=±1 (±0.039), X.X=±0.5 (±0.020), X.XX=±0.25 (±0.010), X.XXX=±0.127 (±0.005). LEAD SIZE=±0.05 (±0.002), LEAD LENGTH=±0.75 (±0.030). MIN= $\frac{+DECIMAL PRECISION}{-0.00}$ MAX.= $\frac{+0.00}{-DECIMAL PRECISION}$



425 N. GARY AVE.
CAROL STREAM, IL 60188-4900
PHONE: 800-278-5666
FAX: 630-315-2152
WEB: WWW.LUMEX.COM

2.0mm x 1.25mm PCB SURFACE MOUNT, TAPE AND REEL, 590nm SUPER YELLOW, WATER CLEAR LENS.

THE SPECIFICATIONS MAY CHANGE AT ANY TIME WITHOUT NOTICE

CONFIDENTIAL INFORMATION
THE INFORMATION CONTAINED IN THIS DOCUMENT IS THE PROPERTY OF LUMEX INC. EXCEPT AS SPECIFICALLY AUTHORIZED IN WRITING BY LUMEX INC., THE HOLDER OF THIS DOCUMENT SHALL KEEP ALL INFORMATION CONTAINED HEREIN CONFIDENTIAL AND SHALL PROTECT SAME IN WHOLE OR IN PART FROM DISCLOSURE AND DISSEMINATION TO ALL THIRD PARTIES.

DATE: 11.07.18	DRAWN BY: C.S.
PAGE: 2 OF 2	CHKD BY: E.C.
SCALE: NTS	APRVD BY: G.Y.
UNIT: mm [INCH]	(Pb)