

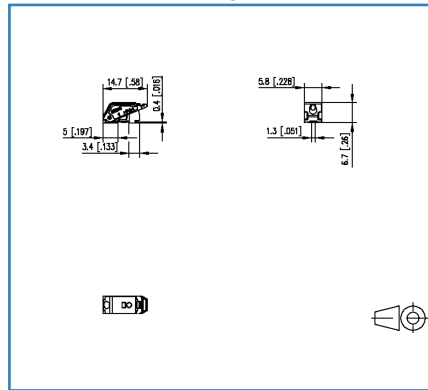
Data sheet

SM99S01VBNN00G7 black

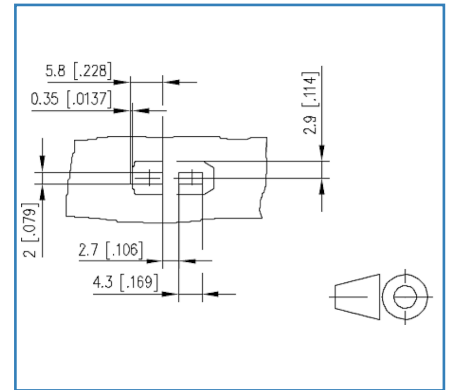
Illustrations



Dimensional drawing



Drill pattern



See enlarged drawings at the end of document

Product specification

- spring clamp terminal block, SMT solderable
- direction of connection 90°
- fittable without loss of poles
- color black
- Tape & Reel packaging
- finger push-button
- test point and wire connection indicator
- Variants: black, creme white, yellow, green, red, blue, orange

Technical Data



General Data

| | |
|---------------------------|---------|
| min. number of poles | 1 |
| max. number of poles | 1 |
| Insulating material class | CTI 600 |
| protection category | IP20 |
| Min. insul. strip length | 7 mm |

Connection Data

| | |
|--------------------------|---|
| rat.wiring solid AWGmax | 0.2 mm ² - 1.5 mm ² / AWG 24 - AWG 16 |
| rat.wiring strand.AWGmax | 0.2 mm ² - 1.5 mm ² / AWG 24 - AWG 16 |

Approvals

| | |
|--|-------------------|
|  V / A / AWG | 300 / 9 / 24 - 16 |
|  0.75 mm ² | 9A / T60 |

Material

| | |
|-----------------------------|-------------------------------|
| insulating material | PA66/6T |
| flammability class | V0 |
| spring material | Spring steel |
| contact material | CuSn |
| contact surface | Sn |
| Glow-Wire Flammability GWFI | 960 °C acc. to IEC 60695-2-12 |
| Glow-Wire Flammability GWIT | 775 °C acc. to IEC 60695-2-13 |
| REACH - substance (SVHC) | none |

Climatic Data

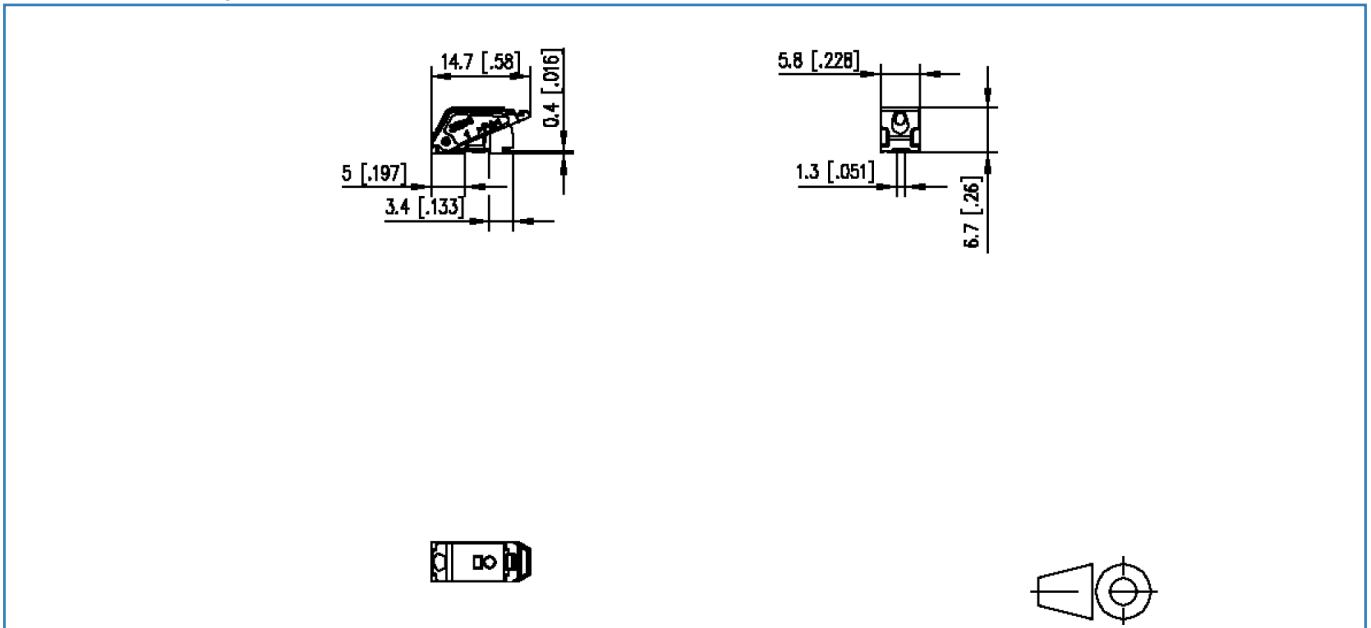
| | |
|-------------------------|--------|
| upper limit temperature | 105 °C |
| lower limit temperature | -40 °C |

General

| | |
|---------------|------------------------------------|
| Tolerance | ISO 2768 -mH |
| Solderability | Acc. to IPC/JEDEC J-STD-020D-MSL 1 |

Illustrations

Dimensional drawing



Drill pattern

