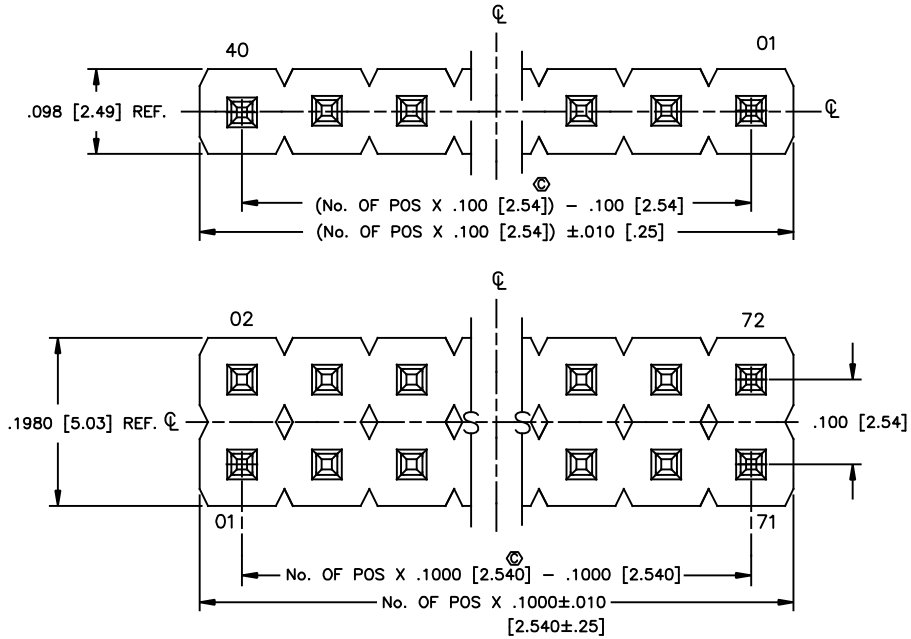


DO NOT SCALE FROM THIS PRINT.

DIMENSIONS ARE IN INCHES UNLESS OTHERWISE NOTED TOLERANCES ARE:

ONE PLACE DECIMALS ± .1 [3]	THREE PLACE DECIMALS ± .005 [.13]	ANGLES ± 2°
TWO PLACE DECIMALS ± .01 [.3]	FOUR PLACE DECIMALS ± .0020 [.051]	

TITLE: **MODIFIED LOW PROFILE TERMINAL ASSEMBLY**
 DWG NO: **MTLW-1XX-XX-XX-X-XXX-XX-XX**
 SHEET 1 OF 2



MTLW-1XX-XX-XX-X-XXX-XX-XX

No. OF POSITIONS
 -01 THRU -40 (SINGLE)
 -01 THRU -36 (DOUBLE)

LEAD STYLE
 SEE TABLE 1

OPTION #2
 -POLARIZING SPEC.
 XX INDICATES POS. TO BE OMITTED

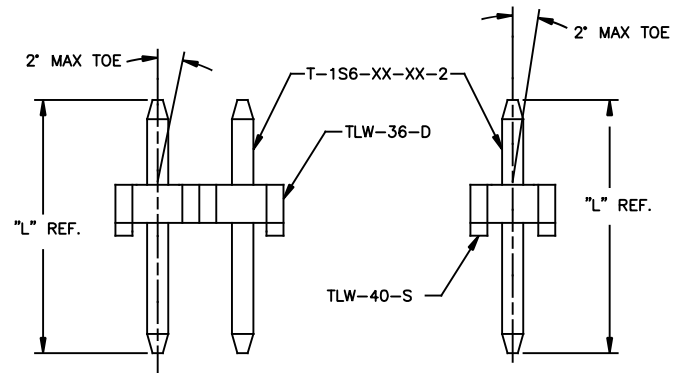
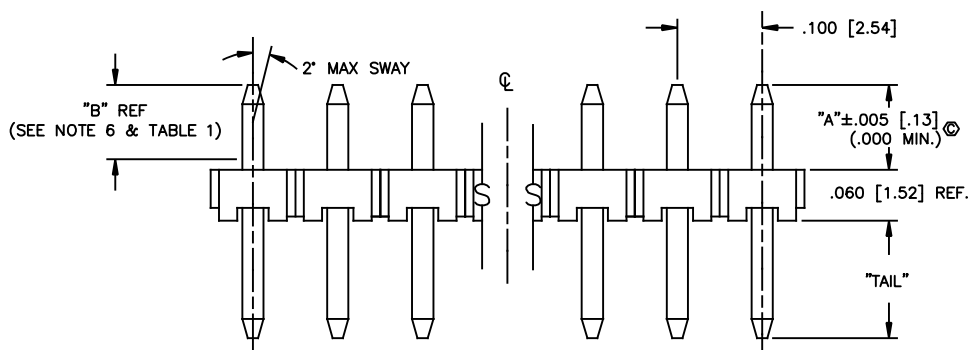
OPTION #1
 -BLANK=STRAIGHT
 -LL: LOCKING LEADS (SEE FIG 1, SHT2)
 (TAIL: MIN OF .090 [2.29], MAX OF .310 [7.87])

POST HEIGHT
 XXX= (.000) MIN - (L-.060) MAX
 (SEE TABLE 1 "A" FOR .090 TAIL REF)

ROW SPECIFICATION
 -S: SINGLE
 -D: DOUBLE

PLATING SPECIFICATION

- G: GOLD, 10 Au / 50 Ni MIN ON CONTACT, 3 Au / 50 Ni MIN ON TAIL
- T: MATTE TIN CONTACT AND TAIL
- S: SELECTIVE, 30 Au / 50 Ni MIN ON CONTACT, MATTE TIN TAIL
- H: HEAVY GOLD, 30 Au / 50 Ni MIN ON CONTACT, 3 Au / 50 Ni MIN ON TAIL
- F: FLASH SELECTIVE, 3 Au / 50 Ni MIN ON CONTACT, MATTE TIN TAIL
- L: LIGHT SELECTIVE, 10 Au / 50 Ni ON CONTACT, MATTE TIN TAIL
- TM: MATTE TIN CONTACT AND TAIL
- SM: SELECTIVE, 30 Au / 50 Ni ON CONTACT, MATTE TIN TAIL
- LM: LIGHT SELECTIVE, 10 Au / 50 Ni MIN ON CONTACT, MATTE TIN TAIL
- FM: FLASH SELECTIVE, 3 Au / 50 Ni MIN ON CONTACT, MATTE TIN TAIL



- NOTES:**
- 1.) MAX ALLOWABLE BOW AFTER ASSEMBLY: .005 [.13] IN/IN.
 - 2.) TERMINAL PUSHOUT FORCE: 2 lbs. MIN.
 - 3.) MAX PIN ROTATION IN BODY: 2°.
 - 4.) ⌀ REPRESENTS A CRITICAL DIMENSION
 - 5.) MAX CUT FLASH .010 [2.25].
 - 6.) GOLD CONTACT AREA LOCATION FOR G, H, S, L, & F PLATINGS.
 - 7.) ORIENTATE PINS TO REDUCE THE NUMBER OF BANDOLIERS MARKS IN THE POST AREA. (SEE TABLE 2)

TABLE 1

LEAD STYLE	TERMINAL	"L"	"A" (FOR .090 [2.29] TAIL)	"B"
-05	T-1S6-21-XX-2	.335 [8.51]	.185 [4.70]	.050 [1.27]
-06	T-1S6-18-XX-2	.300 [7.62]	.150 [3.81]	.050 [1.27]
-07	T-1S6-07-XX-2	.430 [10.92]	.280 [7.11]	.165 [4.19]
-08	T-1S6-08-XX-2	.530 [13.46]	.380 [9.65]	.165 [4.19]
-09	T-1S6-09-XX-2	.730 [18.54]	.580 [14.73]	.165 [4.19]
-10	T-1S6-10-XX-2	.830 [21.08]	.680 [17.27]	.165 [4.19]
-22	T-1S6-15-XX-2	.630 [16.00]	.480 [12.19]	.165 [4.19]
-23	T-1S6-16-XX-2	.445 [11.30]	.295 [7.49]	.165 [4.19]
-24	T-1S6-17-XX-2	.480 [12.19]	.330 [8.38]	.165 [4.19]

CRITICAL DIMENSION INSPECTION INSTRUCTION TABLE	
ASSEMBLY OPERATION	IN-PROCESS INSPECTION
FILL	*C1, C5
2ND PRESS	*C1
REPRESS	*C1
CRIMP	C4
MULTI CUT	C2, C3
* WHEREVER APPLIES	

MATERIAL:
 LCP, UL 94 VO
 COLOR: BLACK

TERMINALS:
 PHOSPHOR BRONZE ALLOY
 NO. 510, 3/4 HARD
 TENSILE RANGE 95-105 KSI

EXP/PROD/ASSEMBLY/100 MTLW/AM

samtec

520 PARK EAST BLVD. NEW ALBANY, INDIANA 47150
 PHONE (812) 944-6733 P.O. BOX 1147
 CODE 55322

MADE BY: REIDINGER 6-5-91	ENG. APPROVAL: DEM
CHECKED BY: MCCARTIN	MTLW-1XX-XX-XX-X-XXX-XX-XX SHEET 1 OF 2

PROPRIETARY NOTE
 THIS DOCUMENT CONTAINS CONFIDENTIAL AND PROPRIETARY INFORMATION AND ALL DESIGN, MANUFACTURING, AND PROCESSING USE, REPRODUCTION AND SALES RIGHTS ARE EXPRESSLY RESERVED BY SAMTEC, INC. THIS DOCUMENT SHALL NOT BE DISCLOSED, IN WHOLE OR IN PART, TO ANY PERSON OR ENTITY WITHOUT THE WRITTEN CONSENT OF SAMTEC, INC.

Mouser Electronics

Authorized Distributor

Click to View Pricing, Inventory, Delivery & Lifecycle Information:

Samtec:

[MTLW-123-07-G-S-020](#) [MTLW-102-05-G-S-220](#) [MTLW-104-05-G-S-000](#) [MTLW-104-05-G-S-220](#) [MTLW-105-05-G-D-145](#) [MTLW-105-06-G-D-060](#) [MTLW-105-07-T-S-100](#) [MTLW-121-08-F-D-235](#) [MTLW-136-06-L-D-140](#) [MTLW-136-07-F-D-240](#) [MTLW-104-07-L-S-260](#) [MTLW-108-22-L-S-390](#) [MTLW-110-07-F-S-210](#) [MTLW-110-22-F-D-450](#) [MTLW-110-22-L-S-390](#) [MTLW-113-08-G-D-230](#) [MTLW-116-07-G-D-145](#) [MTLW-104-07-L-S-216](#) [MTLW-108-07-F-D-255](#) [MTLW-117-06-F-D-145](#) [MTLW-118-23-F-D-285](#) [MTLW-120-07-F-S-270](#) [MTLW-126-07-F-S-255](#) [MTLW-127-06-F-D-130](#) [MTLW-101-06-F-D-130](#) [MTLW-103-06-F-S-135](#) [MTLW-103-08-L-D-400](#) [MTLW-107-05-L-S-160](#) [MTLW-103-08-L-S-375](#) [MTLW-103-10-G-S-220](#) [MTLW-105-08-G-D-350](#) [MTLW-110-08-T-D-144](#) [MTLW-125-22-L-D-415](#) [MTLW-106-05-G-D-137](#) [MTLW-106-08-T-S-236](#) [MTLW-116-08-G-D-230](#) [MTLW-140-06-T-S-120](#) [MTLW-103-05-G-S-095](#) [MTLW-108-05-G-D-160](#) [MTLW-116-24-G-S-280](#) [MTLW-120-08-G-D-280](#) [MTLW-104-08-G-D-400](#) [MTLW-102-05-G-D-220](#) [MTLW-104-05-G-S-001](#) [MTLW-108-08-G-S-240](#) [MTLW-112-05-G-S-000](#) [MTLW-136-07-L-D-230](#) [MTLW-102-07-G-S-185](#) [MTLW-102-07-L-S-205](#) [MTLW-103-22-G-S-430](#) [MTLW-103-08-T-S-350](#) [MTLW-103-22-L-S-440](#) [MTLW-104-05-G-S-007](#) [MTLW-104-07-L-S-125](#) [MTLW-105-05-G-S-001](#) [MTLW-108-08-G-D-240](#) [MTLW-107-06-T-S-125](#) [MTLW-107-09-G-D-300](#) [MTLW-110-24-G-D-300](#) [MTLW-118-07-L-S-250](#) [MTLW-120-08-L-D-315](#) [MTLW-102-08-G-D-230](#)