

## Low-Voltage 3.5Ω, SPDT, CMOS Analog Switches

### General Description

The MAX4729/MAX4730 single-pole/double-throw (SPDT) switches operate from a single supply ranging from +1.8V to +5.5V. These switches provide low 3.5Ω on-resistance (RON), as well as 0.45Ω RON flatness with a +2.7V supply. These devices typically consume only 1nA of supply current, making them ideal for use in low-power, portable applications. The MAX4729/MAX4730 feature low-leakage currents over the extended temperature range, TTL/CMOS-compatible digital logic, and excellent AC characteristics.

The MAX4729/MAX4730 are available in small 6-pin SC70 and 6-pin μDFN packages. The MAX4729/MAX4730 are offered in three pinout configurations to ease design. The MAX4729/MAX4730 are specified over the extended -40°C to +85°C temperature range.

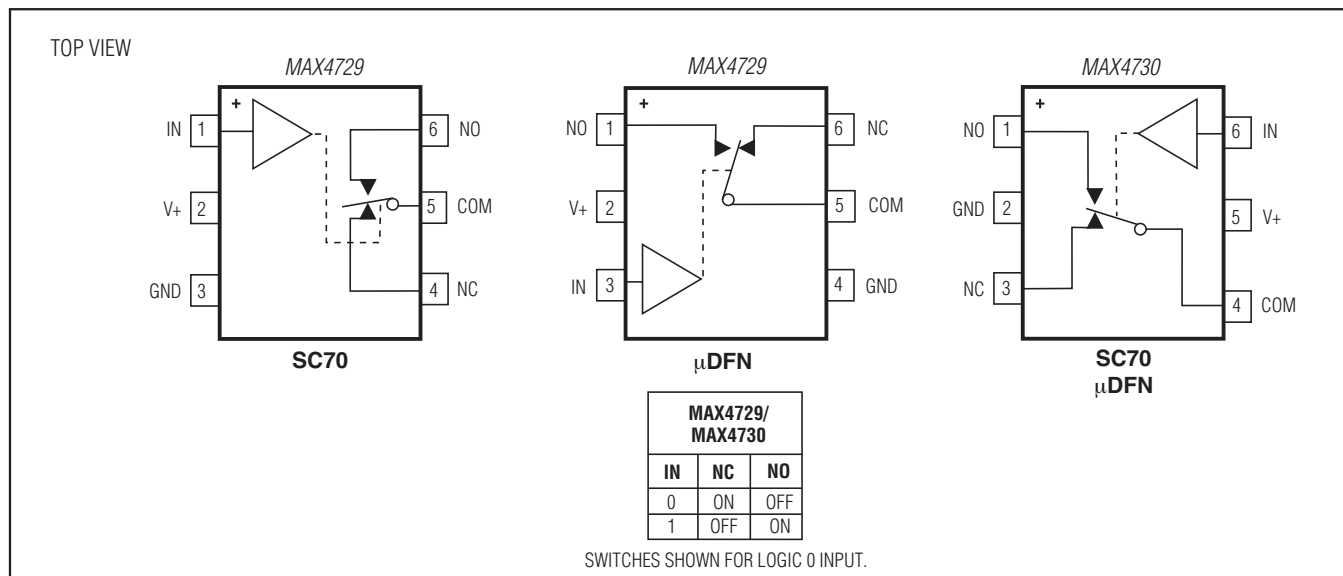
### Features

- ◆ Low 3.5Ω RON (+2.7V Supply)
- ◆ 0.45Ω RON Flatness (+2.7V Supply)
- ◆ 0.05Ω RON Match Between Channels (+2.7V Supply)
- ◆ Tiny SC70 and μDFN Packages
- ◆ -3dB Bandwidth: 300MHz
- ◆ Low On-Capacitance: 19.5pF
- ◆ 0.036% Total Harmonic Distortion
- ◆ Low Supply Current: 1nA
- ◆ +1.8V to +5.5V Single-Supply Operation

### Applications

Battery-Operated Equipment  
 Audio and Video-Signal Routing  
 Low-Voltage Data-Acquisition Systems  
 Sample-and-Hold Circuits  
 Communications Circuits  
 Relay Replacement

### Pin Configurations/Functional Diagrams/Truth Table



# MAX4729/MAX4730

## Low-Voltage 3.5Ω, SPDT, CMOS Analog Switches

### ABSOLUTE MAXIMUM RATINGS

(All voltages referenced to ground.)

V+, IN	-0.3V to +6V
COM, NO, NC (Note 1)	-0.3V to (V+ +0.3V)
Continuous Current (IN, V+, GND)	±30mA
Continuous Current (COM, NO, NC)	±80mA
Peak Current COM, NO, NC (Pulsed at 1ms, 10% Duty Cycle)	±150mA

Continuous Power Dissipation (T<sub>A</sub> = +70°C)

μDFN (derate 2.1mW/°C above +70°C)	168mW
SC70 (derate 3.1mW/°C above +70°C)	245mW
Operating Temperature Range	-40°C to +85°C
Maximum Junction Temperature	+150°C
Storage Temperature Range	-65°C to +150°C
Lead Temperature (soldering, 10s)	+300°C
Soldering Temperature (reflow)	+260°C

**Note 1:** Signals on NO, NC, or COM exceeding V+ or GND are clamped by internal diodes. Signals on IN exceeding GND are clamped by an internal diode. Limit forward-diode current to maximum current rating.

Stresses beyond those listed under "Absolute Maximum Ratings" may cause permanent damage to the device. These are stress ratings only, and functional operation of the device at these or any other conditions beyond those indicated in the operational sections of the specifications is not implied. Exposure to absolute maximum rating conditions for extended periods may affect device reliability.

### ELECTRICAL CHARACTERISTICS

(V+ = +2.7V to +3.6V, V<sub>IH</sub> = +2.0V, V<sub>IL</sub> = +0.4V, T<sub>A</sub> = -40°C to +85°C, unless otherwise noted. Typical values are at T<sub>A</sub> = +25°C.) (Note 2)

PARAMETER	SYMBOL	CONDITIONS	MIN	TYP	MAX	UNITS	
<b>ANALOG SWITCH</b>							
Analog Signal Range	V <sub>COM</sub> , V <sub>NO</sub> , V <sub>NC</sub>		0		V+	V	
On-Resistance (Note 6)	R <sub>ON</sub>	V+ = 2.7V, I <sub>COM</sub> = 10mA, V <sub>NO</sub> or V <sub>NC</sub> = 0V to V+	T <sub>A</sub> = +25°C	3.5	5.5	Ω	
			T <sub>A</sub> = -40°C to +85		5.7		
On-Resistance Match Between Channels (Notes 3, 6)	ΔR <sub>ON</sub>	V+ = 2.7V, I <sub>COM</sub> = 10mA, V <sub>NO</sub> or V <sub>NC</sub> = 0.7V, 1.2V, 2V (MAX4729)	T <sub>A</sub> = +25°C	0.05	0.15	Ω	
			T <sub>A</sub> = -40°C to +85		0.2		
			T <sub>A</sub> = +25°C	0.2	0.34		
			T <sub>A</sub> = -40°C to +85		0.37		
On-Resistance Flatness (Note 4)	R <sub>FLAT(ON)</sub>	V+ = 2.7V, I <sub>COM</sub> = 10mA, V <sub>NO</sub> or V <sub>NC</sub> = 0.7V, 1.2V, 2V (MAX4729)	T <sub>A</sub> = +25°C	0.8	1.5	Ω	
			T <sub>A</sub> = -40°C to +85		2.2		
			T <sub>A</sub> = +25°C	0.45	0.95		
			T <sub>A</sub> = -40°C to +85		1.3		
NO, NC Off-Leakage Current	I <sub>NO (OFF)</sub> , I <sub>NC (OFF)</sub>	V+ = 3.3V, V <sub>COM</sub> = 1V, 3V, V <sub>NO</sub> or V <sub>NC</sub> = 3V, 1V	T <sub>A</sub> = +25°C	-2	+0.01	+2	nA
			T <sub>A</sub> = -40°C to +85	-3		+3	
COM On-Leakage Current	I <sub>COM (ON)</sub>	V+ = 3.3V, V <sub>COM</sub> = 1V or 3V, V <sub>NO</sub> or V <sub>NC</sub> = 1V, 3V, or float	T <sub>A</sub> = +25°C	-3	+0.01	+3	nA
			T <sub>A</sub> = -40°C to +85	-4		+4	
<b>DIGITAL INPUTS</b>							
Input Logic High	V <sub>IH</sub>		T <sub>A</sub> = -40°C to +85	2.0		V	
Input Logic Low	V <sub>IL</sub>		T <sub>A</sub> = -40°C to +85		0.4	V	
Input Leakage Current	I <sub>IN</sub>	V <sub>IN</sub> = 0V or 3.6V	T <sub>A</sub> = -40°C to +85	-1	+0.005	+1	μA

# MAX4729/MAX4730

## Low-Voltage 3.5Ω, SPDT, CMOS Analog Switches

### ELECTRICAL CHARACTERISTICS (continued)

(V+ = +2.7V to +3.6V, V<sub>IH</sub> = +2.0V, V<sub>IL</sub> = +0.4V, T<sub>A</sub> = -40°C to +85°C, unless otherwise noted. Typical values are at T<sub>A</sub> = +25°C.) (Note 2)

PARAMETER	SYMBOL	CONDITIONS	T <sub>A</sub>	MIN	TYP	MAX	UNITS
<b>DYNAMIC</b>							
Turn-On Time (Note 5)	t <sub>ON</sub>	V <sub>NO</sub> , V <sub>NC</sub> = 2V, R <sub>L</sub> = 300Ω, C <sub>L</sub> = 35pF, Figure 1	T <sub>A</sub> = +25°C	18	45		ns
			T <sub>A</sub> = -40°C to +85		45		
Turn-Off Time (Note 5)	t <sub>OFF</sub>	V <sub>NO</sub> , V <sub>NC</sub> = 2V, R <sub>L</sub> = 300Ω, C <sub>L</sub> = 35pF, Figure 1	T <sub>A</sub> = +25°C	10	26		ns
			T <sub>A</sub> = -40°C to +85		26		
Break-Before-Make (Note 5)		V <sub>NO</sub> , V <sub>NC</sub> = 2V, R <sub>L</sub> = 300Ω, C <sub>L</sub> = 35pF, Figure 1	T <sub>A</sub> = +25°C	5			ns
			T <sub>A</sub> = -40°C to +85	1			
Charge Injection	Q	V <sub>GEN</sub> = 0V, R <sub>GEN</sub> = 0, C <sub>L</sub> = 1.0nF, Figure 3		3			pC
NO, NC Off-Capacitance	C <sub>NO(OFF)</sub> , C <sub>NC(OFF)</sub>	f = 1MHz, Figure 4		6.5			pF
Switch On-Capacitance	C <sub>ON</sub>	f = 1MHz, Figure 4		19.5			pF
Off-Isolation (Note 7)	V <sub>ISO</sub>	V <sub>NO</sub> = V <sub>NC</sub> = 1V <sub>RMS</sub> , R <sub>L</sub> = 50Ω, C <sub>L</sub> = 5pF, Figure 2	f = 1MHz	-67			dB
			f = 10MHz	-45			
On-Channel Bandwidth -3dB	BW	Signal = 0dBm, 50Ω in and out, Figure 2		300			MHz
Crosstalk (Note 8)	V <sub>CT</sub>	NO or NC = 1V <sub>RMS</sub> , C <sub>L</sub> = 5pF, R <sub>L</sub> = 50Ω, Figure 2	f = 1MHz	-67			dB
			f = 10MHz	-52			
Total Harmonic Distortion	THD	R <sub>L</sub> = 600Ω, V <sub>NC</sub> or V <sub>NO</sub> = 2V <sub>P-P</sub> , f = 20Hz to 20kHz	+25°C	0.035			%
<b>POWER SUPPLY</b>							
Power-Supply Range	V+			1.8		5.5	V
Positive Supply Current	I+	V+ = 5.5V, V <sub>IN</sub> = 0V or 5.5V	T <sub>A</sub> = +25°C	0.001			μA
			T <sub>A</sub> = -40°C to +85		1		

**Note 2:** SC70 and μDFN parts are 100% tested at T<sub>A</sub> = +25°C. Limits across the full-temperature range are guaranteed by design and correlation.

**Note 3:** ΔR<sub>ON</sub> = R<sub>ON(MAX)</sub> - R<sub>ON(MIN)</sub>.

**Note 4:** R<sub>ON</sub> flatness is defined as the difference between the maximum and minimum value of on-resistance as measured over the specified analog signal ranges.

**Note 5:** Guaranteed by design.

**Note 6:** μDFN is guaranteed by design.

**Note 7:** Off-Isolation = 20log<sub>10</sub> (V<sub>O</sub> / V<sub>I</sub>), where V<sub>O</sub> is V<sub>COM</sub> and V<sub>I</sub> is either V<sub>NC</sub> or V<sub>NO</sub> from the network analyzer.

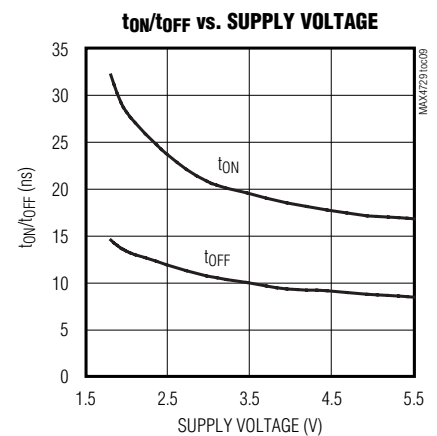
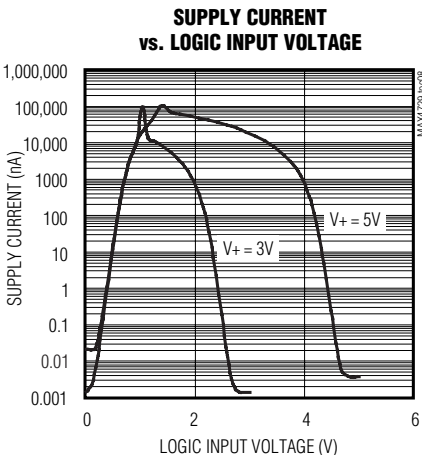
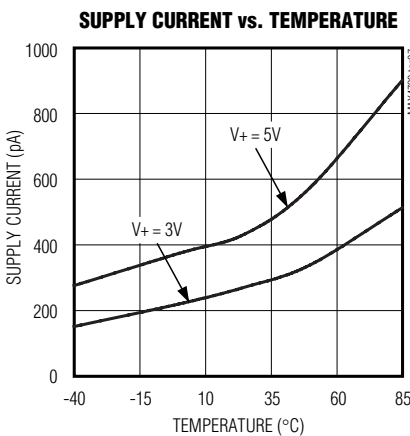
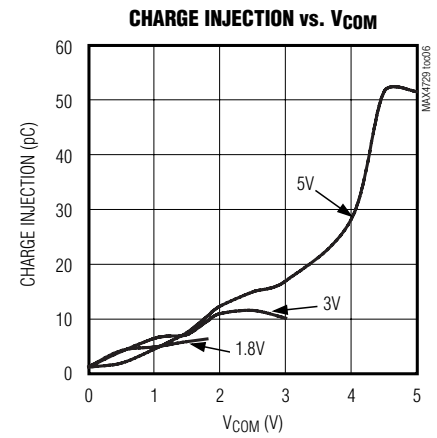
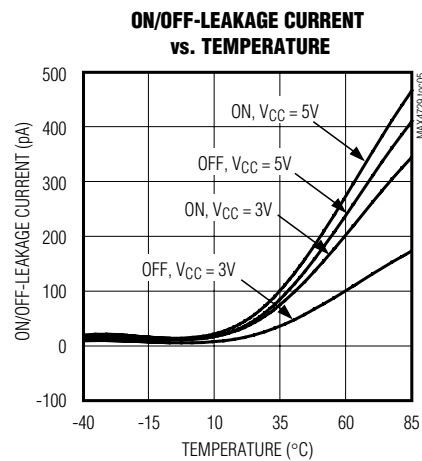
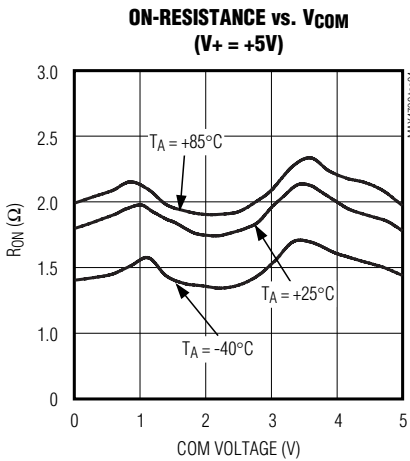
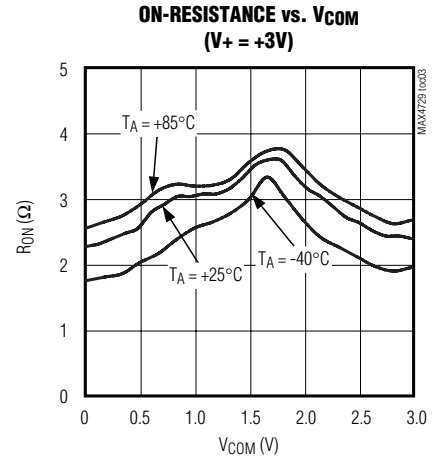
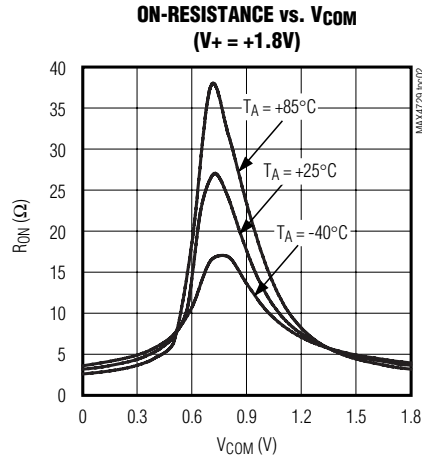
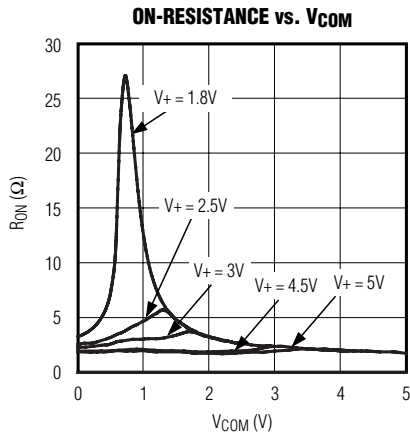
**Note 8:** Crosstalk is measured between the two switches.

# MAX4729/MAX4730

## Low-Voltage 3.5Ω, SPDT, CMOS Analog Switches

### Typical Operating Characteristics

( $T_A = +25^\circ\text{C}$ , unless otherwise noted.)

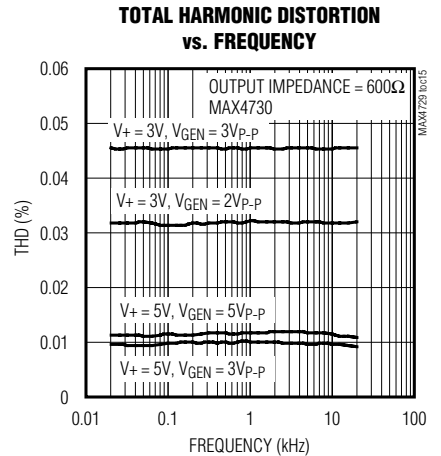
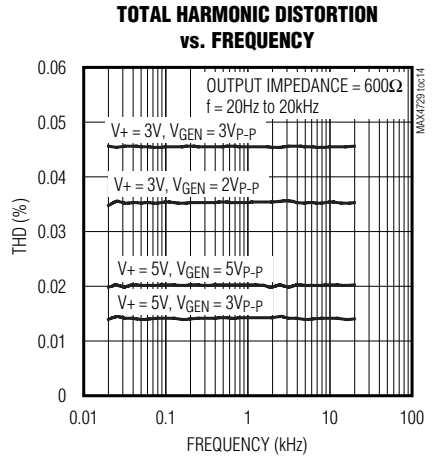
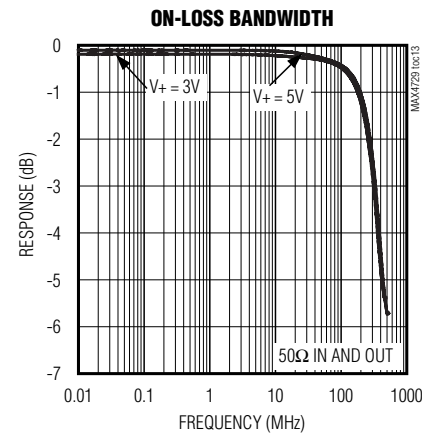
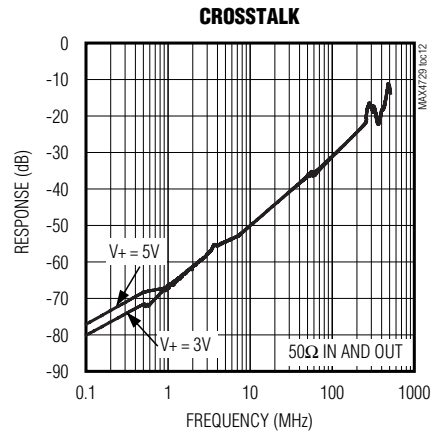
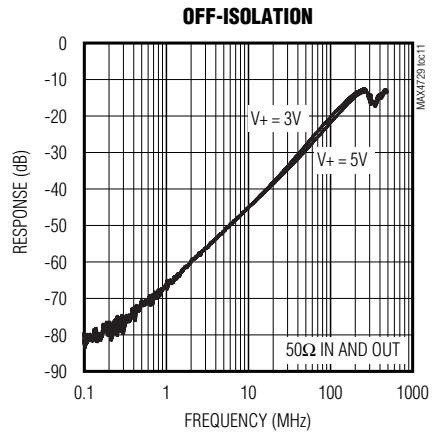
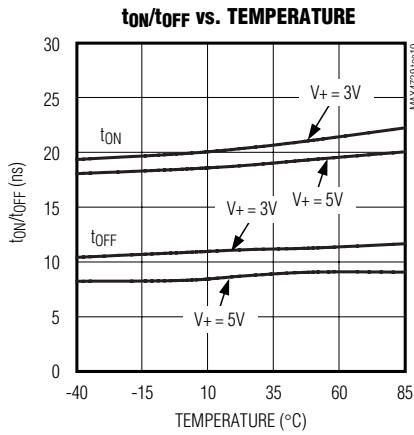


# MAX4729/MAX4730

## Low-Voltage 3.5Ω, SPDT, CMOS Analog Switches

### Typical Operating Characteristics (continued)

(T<sub>A</sub> = +25°C, unless otherwise noted.)



### Pin Description

PIN			NAME	FUNCTION
MAX4729	MAX4730			
SC70	μDFN	SC70/μDFN		
1	3	6	IN	Logic-Control Input
2	2	5	V+	Positive Supply Voltage
3	4	2	GND	Ground
4	6	3	NC	Analogue Switch Normally Closed Terminal
5	5	4	COM	Analogue Switch Common Terminal
6	1	1	NO	Analogue Switch Normally Open Terminal

# MAX4729/MAX4730

## Low-Voltage 3.5Ω, SPDT, CMOS Analog Switches

### Detailed Description

The MAX4729/MAX4730 single-pole/double-throw (SPDT) switches operate from a single supply ranging from +1.8V to +5.5V. These switches provide low 3.5Ω on-resistance ( $R_{ON}$ ), as well as 0.45Ω  $R_{ON}$  flatness with a 2.7V supply. These devices typically consume only 1nA of supply current, making them suitable for use in low-power, portable applications. The MAX4729/MAX4730 feature low-leakage currents over the entire temperature range, TTL/CMOS-compatible digital logic, and excellent AC characteristics.

### Applications Information

#### Digital Control Inputs

The MAX4729/MAX4730 logic inputs accept up to +5.5V, regardless of supply voltage. For example, with a +3.3V

supply, IN can be driven low to GND and high to +5.5V, allowing for mixing of logic levels in a system. With a 2.7V to 3.6V power-supply voltage range, the logic thresholds are set so  $V_{IL} = 0.4V$  (max) and  $V_{IH} = 2V$  (min).

### Power-Supply Sequencing and Overvoltage Protection

**Caution:** Do not exceed the absolute maximum ratings because stresses beyond the listed ratings can cause permanent damage to the device. Proper power-supply sequencing is recommended for all CMOS devices. Always apply  $V_+$  before applying analog signals, especially if the analog signal is not current limited.

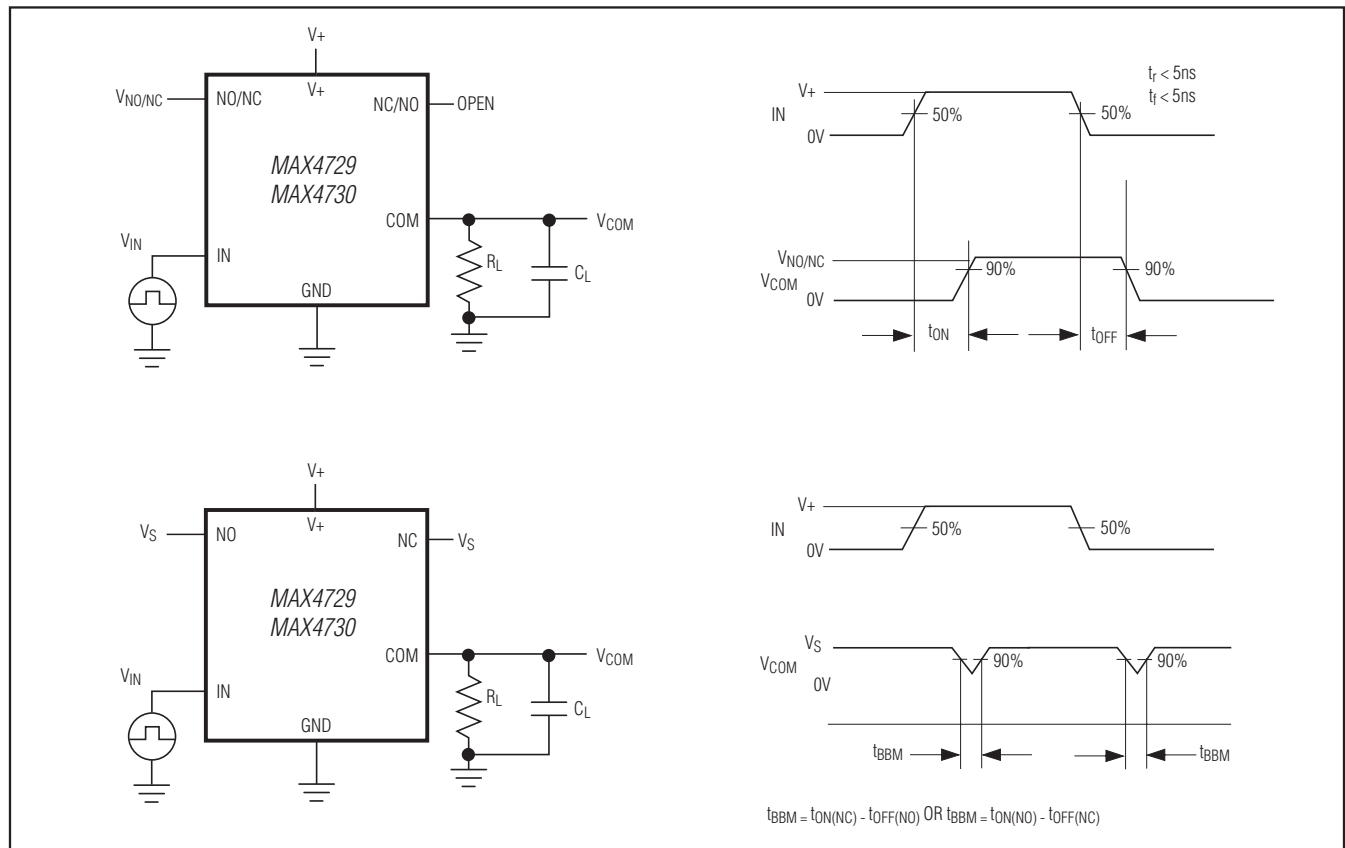


Figure 1. Switching Times

# MAX4729/MAX4730

## Low-Voltage 3.5Ω, SPDT, CMOS Analog Switches

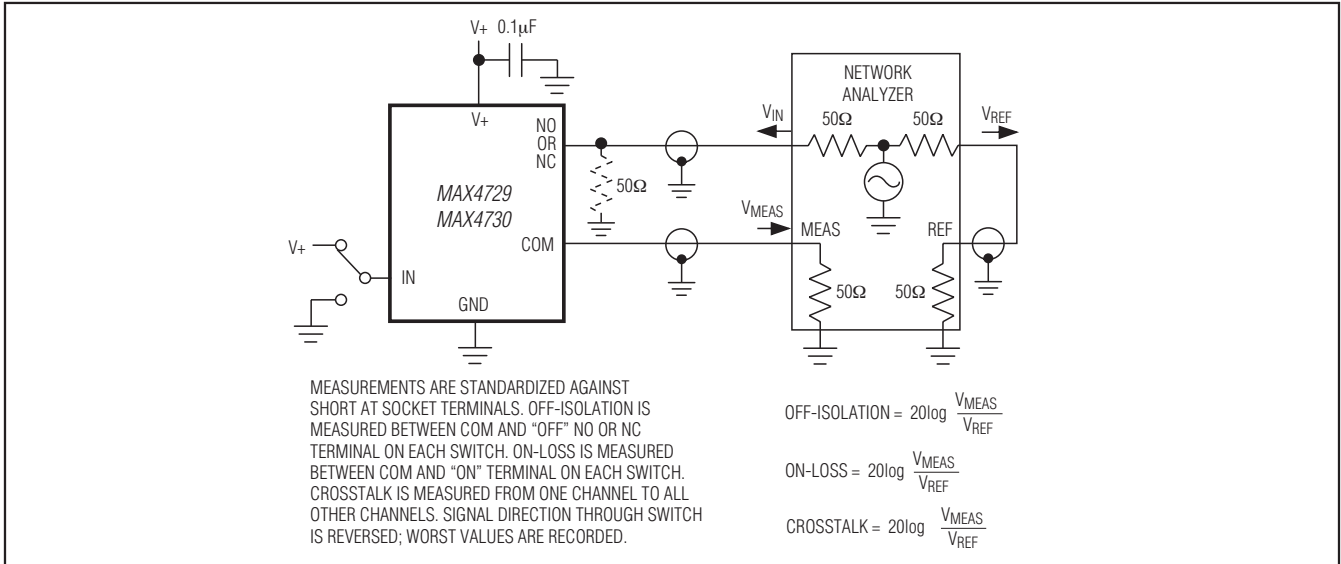


Figure 2. Off-Isolation/On-Loss Bandwidth, Crosstalk

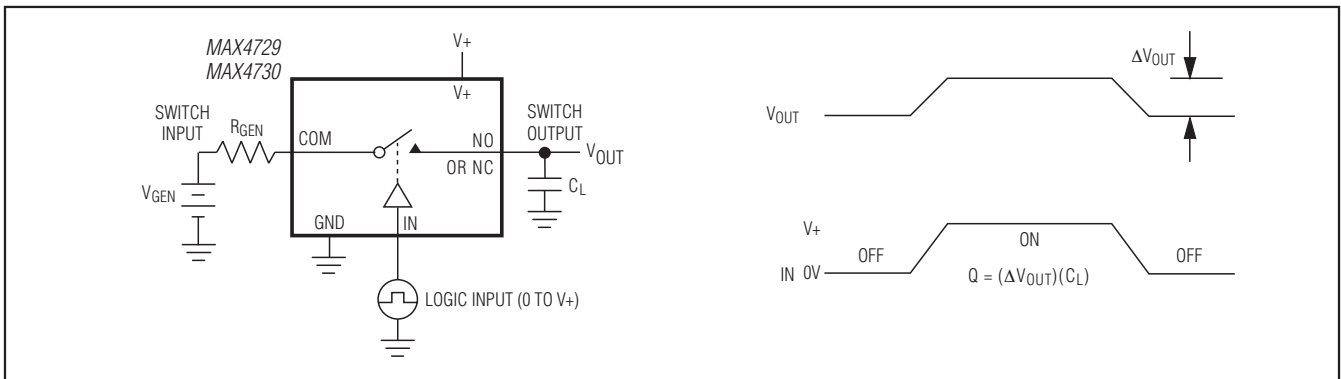


Figure 3. Charge Injection

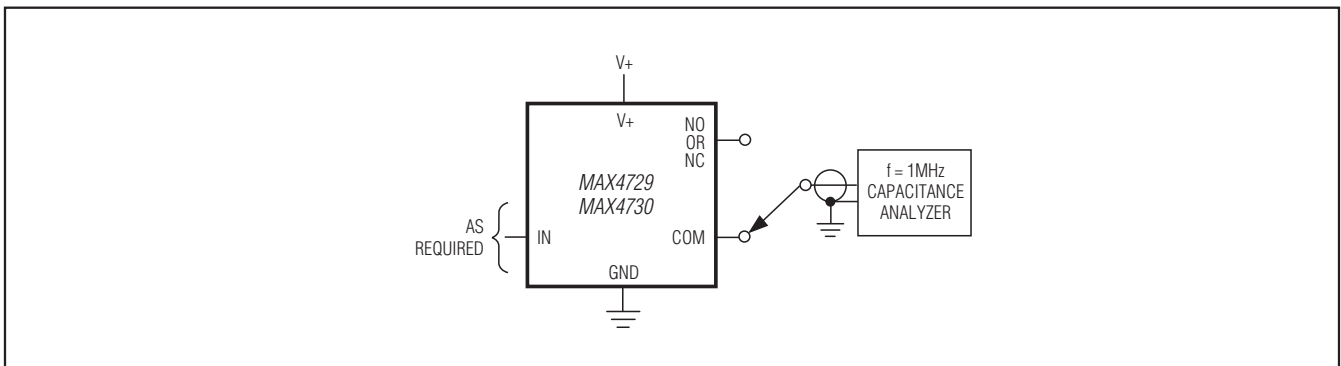


Figure 4. NO, NC, and COM Capacitance

# MAX4729/MAX4730

## Low-Voltage 3.5Ω, SPDT, CMOS Analog Switches

### Chip Information

PROCESS: CMOS

### Ordering Information

PART	TEMP RANGE	PIN-PACKAGE
MAX4729EXT+T	-40°C to +85°C	6 SC70
MAX4729ELT+T	-40°C to +85°C	6 μDFN
MAX4730EXT+T	-40°C to +85°C	6 SC70
MAX4730ELT+T	-40°C to +85°C	6 μDFN

+Denotes lead(Pb)-free/RoHS-compliant package.

### Package Information

For the latest package outline information and land patterns (footprints), go to [www.maximintegrated.com/packages](http://www.maximintegrated.com/packages). Note that a "+", "#", or "-" in the package code indicates RoHS status only. Package drawings may show a different suffix character, but the drawing pertains to the package regardless of RoHS status.

PACKAGE TYPE	PACKAGE CODE	OUTLINE NO.	LAND PATTERN NO.
6 SC70	X6SN+1	<a href="#">21-0077</a>	<a href="#">90-0189</a>
6 μDFN	L611+1	<a href="#">21-0147</a>	<a href="#">90-0080</a>



# MAX4729/MAX4730

## Low-Voltage 3.5Ω, SPDT, CMOS Analog Switches

### Revision History

REVISION NUMBER	REVISION DATE	DESCRIPTION	PAGES CHANGED
2	6/14	ELT+ production status corrected	—



Maxim Integrated cannot assume responsibility for use of any circuitry other than circuitry entirely embodied in a Maxim Integrated product. No circuit patent licenses are implied. Maxim Integrated reserves the right to change the circuitry and specifications without notice at any time. The parametric values (min and max limits) shown in the Electrical Characteristics table are guaranteed. Other parametric values quoted in this data sheet are provided for guidance.

# Mouser Electronics

Authorized Distributor

Click to View Pricing, Inventory, Delivery & Lifecycle Information:

[Analog Devices Inc.:](#)

[MAX4730ELT+T](#) [MAX4730EXT+T](#)