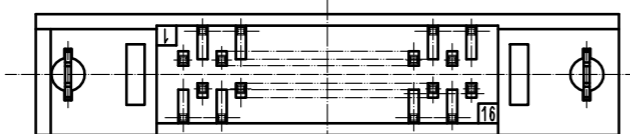
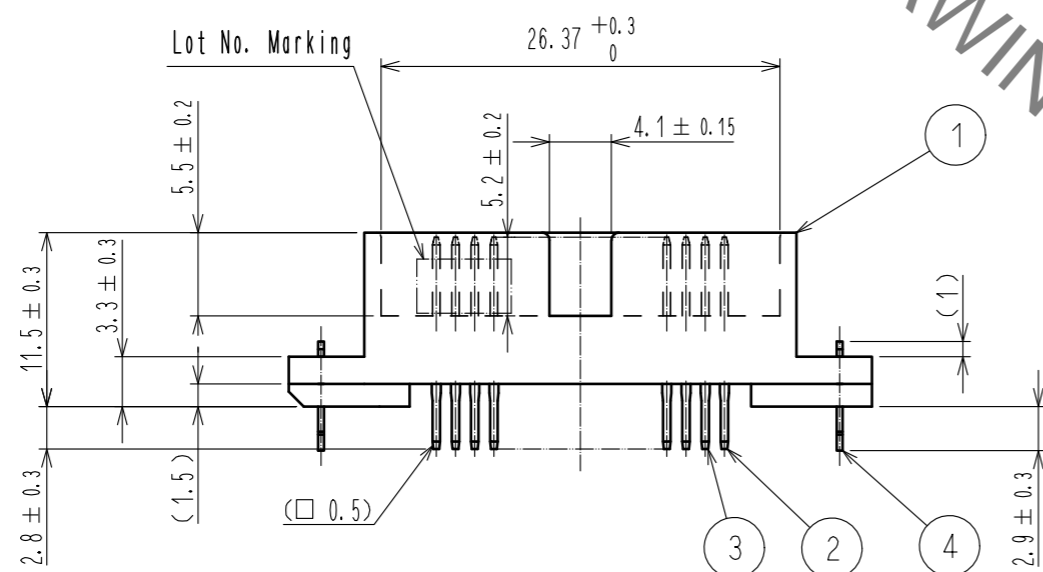
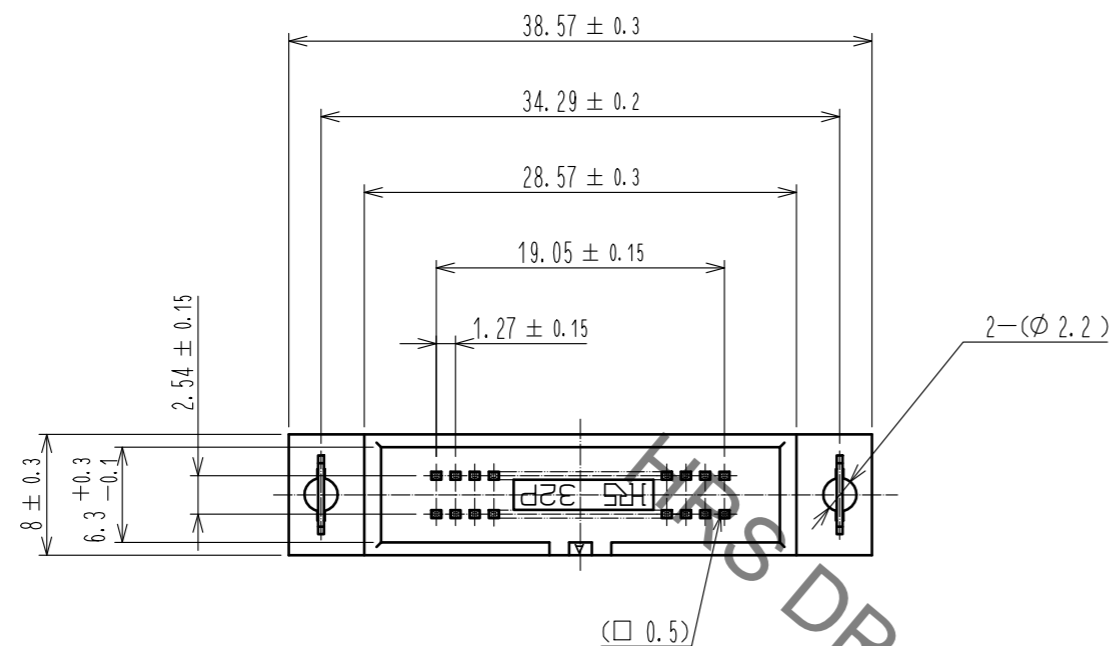
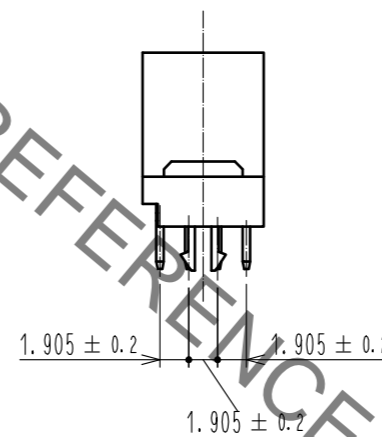
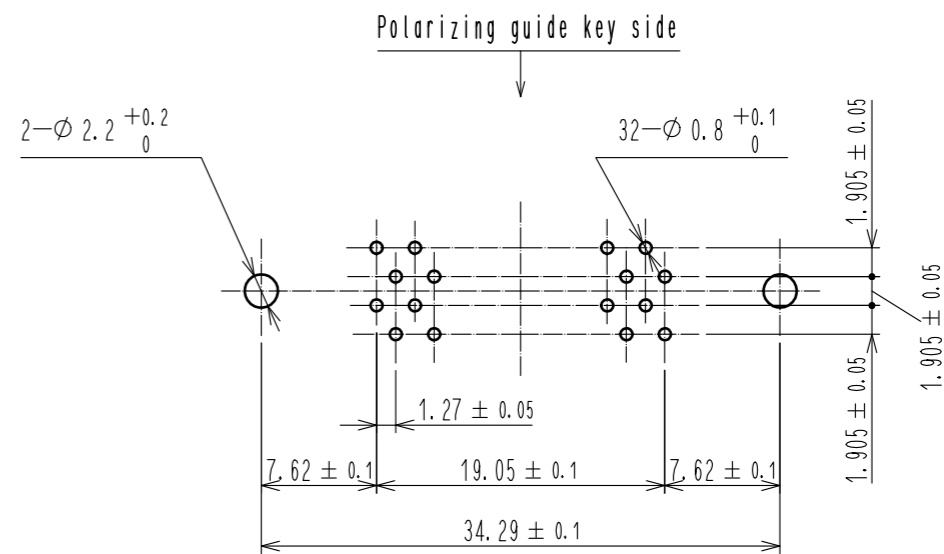


Feb.1.2021 Copyright 2021 HIROSE ELECTRIC CO., LTD. All Rights Reserved.
In case of consideration for using Automotive equipment / device which demand high reliability, kindly contact our sales window correspondents.



Recommended PC board hole pattern (mounting side)



Notes 1 The dimensions in parentheses are for reference.

2	BRASS	Contact area : Gold 0.2µm min	4	PHOSPHOR BRONZE	Tin-Plating			
		Dip area : TIN-Plating 2µm min			3	BRASS	Contact area : Gold 0.2µm min	
		Under plating : Nickel 2.5µm min					Dip area : TIN-Plating 2µm min	
1	PBT	BLACK UL94V-0			Under plating : Nickel 2.5µm min			
NO.	MATERIAL	FINISH . REMARKS	NO.	MATERIAL	FINISH . REMARKS			
UNITS mm		SCALE 2 : 1	COUNT 	DESCRIPTION OF REVISIONS		DESIGNED	CHECKED	DATE
HRS HIROSE ELECTRIC CO., LTD.		APPROVED : HT. YAMAGUCHI	18.06.25	DRAWING NO. EDC-019341-71-21				
		CHECKED : HT. YAMAGUCHI	18.06.25	PART NO. HIF6B-32PA-1.27DSAL(71)				
		DESIGNED : TY. EDAGAWA	18.06.25	CODE NO. CL631-0553-7-71				
		DRAWN : MK. OOKI	18.06.21					