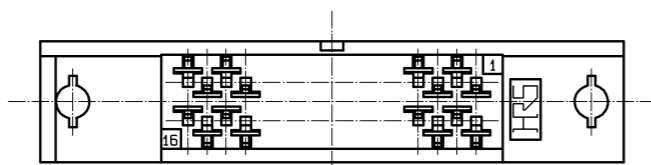
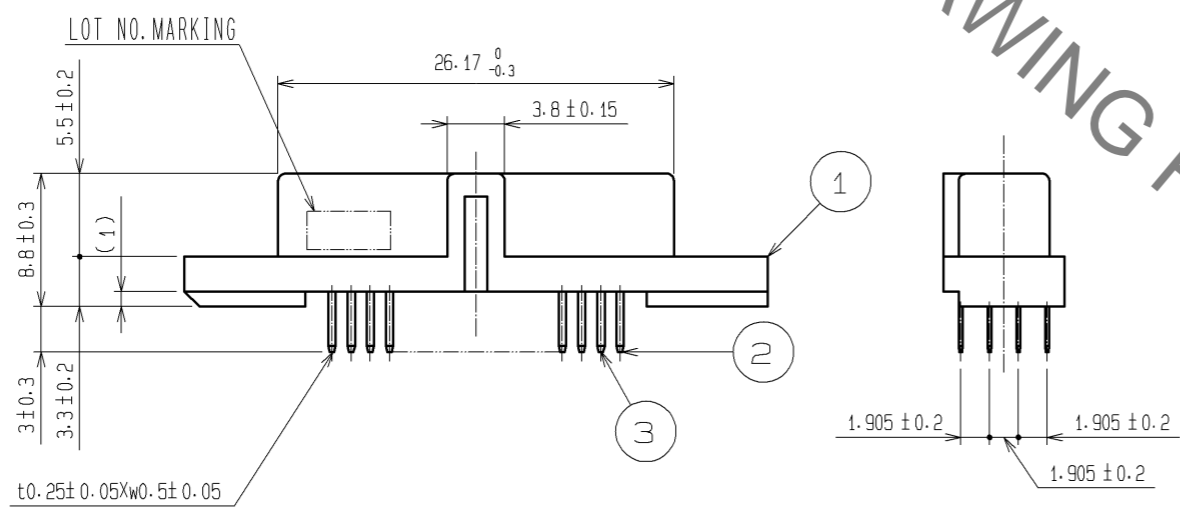
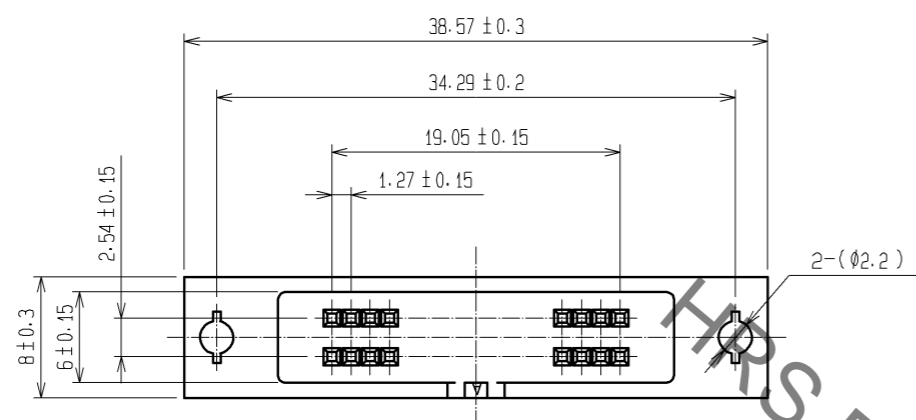
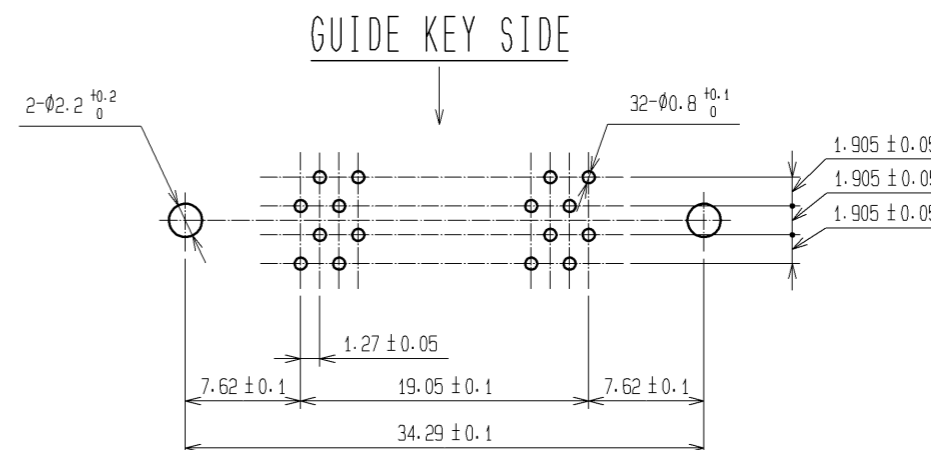


Aug.1.2021 Copyright 2021 HIROSE ELECTRIC CO., LTD. All Rights Reserved.
 In case of consideration for using Automotive equipment / device which demand high reliability, kindly contact our sales window correspondents.



RECOMMENDED PC BOARD HOLE PATTERN
 (MOUNT SIDE)



HRS DRAWING FOR REFERENCE

NOTE 1. THE DIMENSIONS IN PARENTHESES ARE FOR REFERENCE.

1	PBT	BLACK UL94V-0	2.3	COPPER ALLOY	CONTACT AREA:GOLD 0.2µm min. DIP AREA:TIN-PLATING 2µm min. UNDER PLATING:NICKEL 2.5µm min.		
NO.	MATERIAL	FINISH . REMARKS	NO.	MATERIAL	FINISH . REMARKS		
UNITS mm		SCALE 2 : 1	COUNT △	DESCRIPTION OF REVISIONS	DESIGNED	CHECKED	DATE
HRS HIROSE ELECTRIC CO., LTD.		APPROVED : HS. OKAWA	08.03.24	DRAWING NO.	EDC3-019042-21		
		CHECED : HS. OZAWA	08.03.24	PART NO.	HIF6B-32DA-1. 27DSA(71)		
		DESIGNED : KY. NAKAMURA	08.03.24	CODE NO.	CL631-0153-9-71		
		DRAWN : TP. MATSUMOTO	08.03.21		△ 1/1		