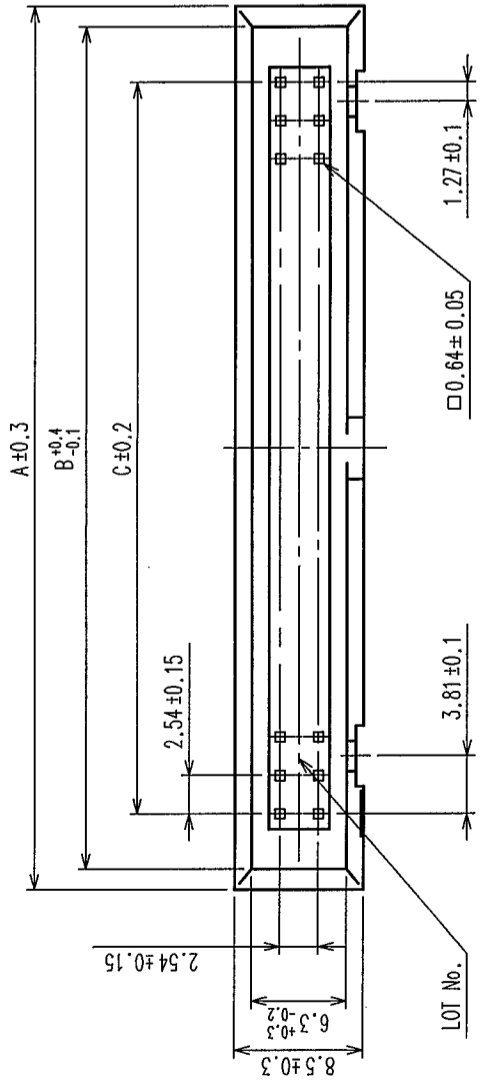
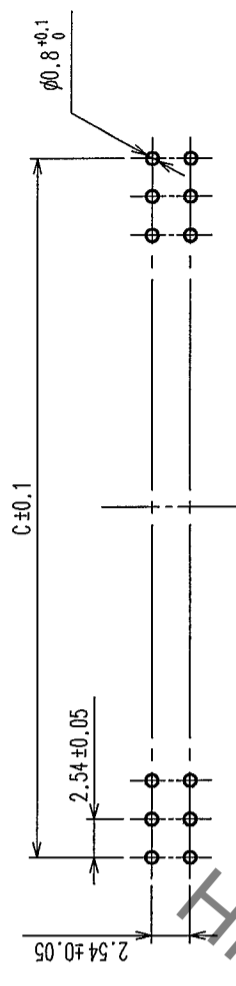


| COUNT | DESCRIPTION OF REVISIONS | BY | CHKD | DATE | COUNT | DESCRIPTION OF REVISIONS | BY | CHKD | DATE |
|-------|--------------------------|----|------|------|-------|--------------------------|----|------|------|
| △ | | | | | △ | | | | |
| △ | | | | | △ | | | | |
| △ | | | | | △ | | | | |

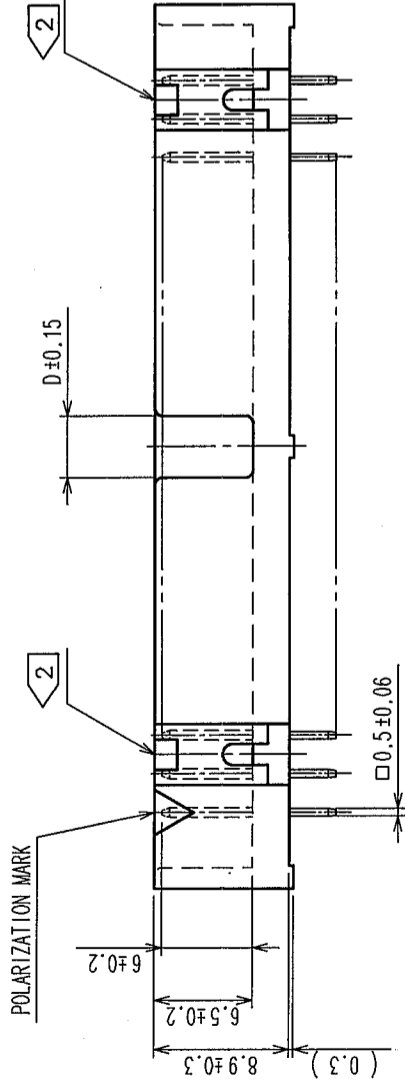


RECOMMENDED PC BOARD HOLE PATTERN

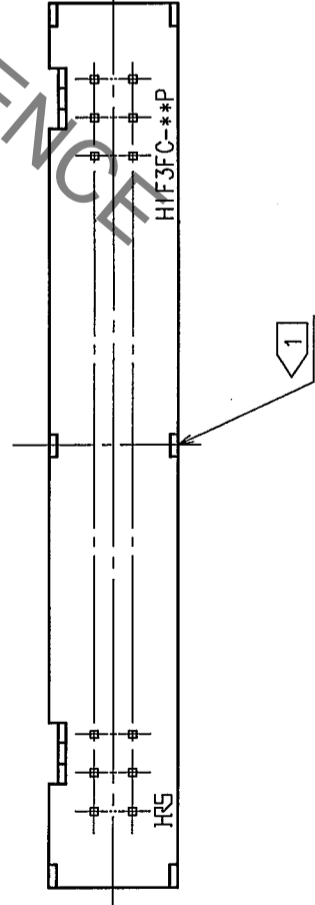


LOT No.

| PART No. | HRS No. | PIN | A | B | C | D | POLARIZING KEY MOUNT |
|--------------------------|-----------------|-----|-------|-------|-------|-------|-------------------------|
| HIF3FC-10PA-2.54DSA(71) | CL616-0161-4-71 | 10 | 20.2 | 17.5 | 10.16 | 4.1 | NONE |
| HIF3FC-14PA-2.54DSA(71) | CL616-0162-7-71 | 14 | 25.28 | 22.58 | 15.24 | 4.1 | 1 ON RH SIDE |
| HIF3FC-16PA-2.54DSA(71) | CL616-0163-0-71 | 16 | 27.82 | 25.12 | 17.78 | 4.1 | 1 EACH ON LH & RH SIDE. |
| HIF3FC-20PA-2.54DSA(71) | CL616-0164-2-71 | 20 | 32.9 | 30.2 | 22.86 | 4.1 | |
| HIF3FC-26PA-2.54DSA(71) | CL616-0165-5-71 | 26 | 40.52 | 37.82 | 30.48 | 4.1 | |
| HIF3FC-30PA-2.54DSA(71) | CL616-0166-8-71 | 30 | 45.6 | 42.9 | 35.56 | 4.1 | |
| HIF3FC-34PA-2.54DSA(71) | CL616-0167-0-71 | 34 | 50.88 | 47.98 | 40.64 | 4.1 | |
| HIF3FC-40PA-2.54DSA(71) | CL616-0168-3-71 | 40 | 58.3 | 55.6 | 48.26 | 4.1 | |
| HIF3FC-50PA-2.54DSA(71) | CL616-0169-6-71 | 50 | 71.0 | 68.3 | 60.96 | 4.1 | |
| HIF3FCA-50PA-2.54DSA(71) | CL616-0170-5-71 | 50 | 71.0 | 68.3 | 60.96 | 26.96 | |



NOTE 1 HIF3FC-10PA-2.54DSA(71)* HAS NO STAND-OFF.
 2 THE NUMBER OF POLARIZING KEY MOUNT DIFFERS AS TO THE NUMBER OF PIN, REFER TO THE TABLE.
 3 ** INDICATES THE NUMBER OF PIN.
 4 THE DIMENSIONS IN PARENTHESES ARE FOR REFERENCE.



| | | | | | |
|-------------------------------|----------------------------|-----------------|--------------------------------------|--------------------|---|
| 1 | POLYBUTYLENE TEREPHTHALATE | BLACK, UL94 V-0 | 4 | BRASS | CONTACT AREA: GOLD 0.2 μm min. MOUNTING AREA: TIN 2 μm min. UNDER PLATING: NICKEL 2 μm min. |
| NO. | MATERIAL | FINISH, REMARKS | NO. | MATERIAL | FINISH, REMARKS |
| CODE NO. (OLD) CL | | | DESIGNED T. NODA | CHECKED K. Doi | APPROVED H. Okawa |
| SCALE FREE | | | DRAWN T. NODA | DESIGNED K. Doi | APPROVED H. Okawa |
| UNITS mm | | | '05.04.05 | '05-04-06 | '05-04-06 |
| DRAWING NO. EDC3-151845-21 | | | PART NO. HIF3FC-**-PA-2.54DSA(71) | | |
| HIROSE ELECTRIC CO., LTD | | | CODE NO. CL616 | | |

| | |
|-----|--|
| TO | |
| PCK | |