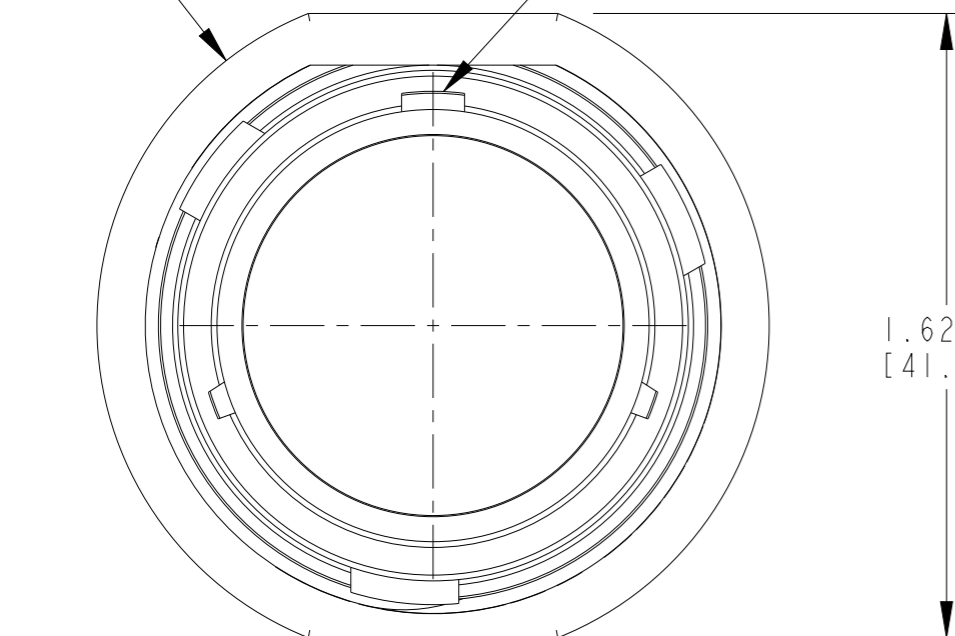


P	LTR	DESCRIPTION	DATE	DWN	APVD
B		REVISED PER E.O. P17591	17SEP2002	-	RDR
C		REVISED PER E.O. P18449	04FEB2004	-	RDR
C1		REVISED PER PCN E-20-013840	18SEP2020	MK	IG
C2		REVISED PER ECR-22-127978	02FEB2022	HD	IG

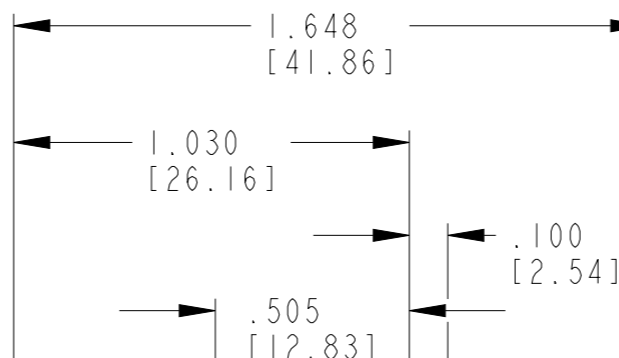
$\varnothing 1.750 \pm .025$
[44.45 ± .63]

MAIN POLARIZING KEYWAY



1.625
[41.28]

$\varnothing 1.329$
[33.76]



1.648
[41.86]

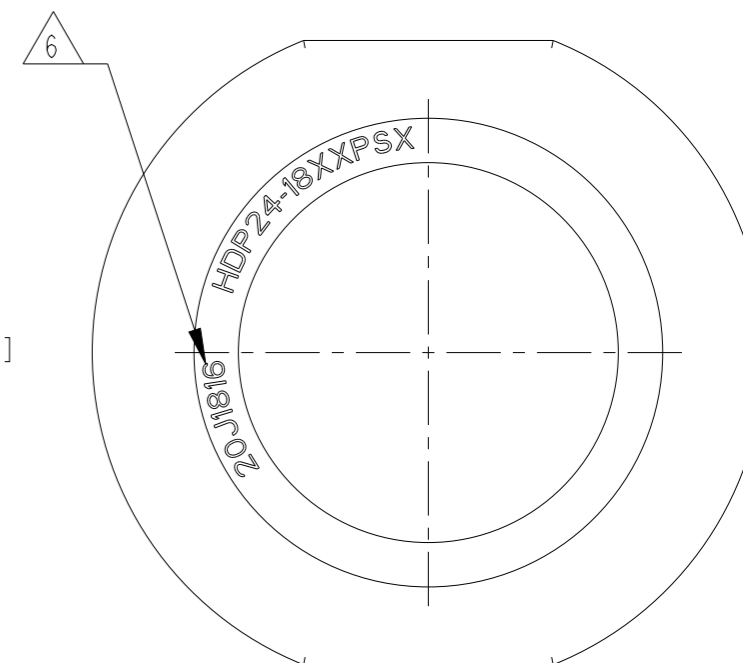
1.030
[26.16]

.505
[12.83]

.100
[2.54]

1.500 - 18 UNEF
REF. THREAD

1.220
[30.99]



6 DATE CODE: IDENTIFIES THE YEAR, MONTH, DAY AND HOUR OF ASSEMBLY.
 YEAR: FIRST AND SECOND DIGITS. (14=2014)
 MONTH: THIRD DIGIT, EXCLUDING I.A=JAN., B=FEB., C=MARCH... (K=OCT.)
 DAY: FOURTH AND FIFTH DIGIT (14=14th DAY)
 HOUR: SIXTH AND SEVENTH DIGIT (11=11AM)

5. THIS PART MATES WITH HDP26-18-***S/P*-***** (**** = ALL MODIFICATIONS, * = TYPE OF SEAL.)

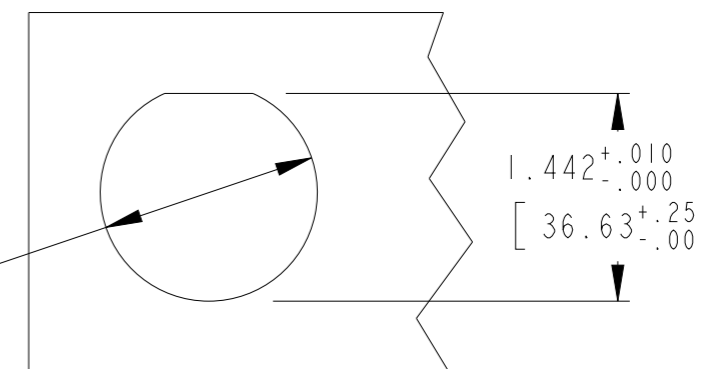
4. FOR ARRANGEMENT OF CONTACT LOCATION SEE ENVELOPE DRAWING 0425-013-1800.

3. FOR CONTACTS, WIRES, CONNECTOR PERFORMANCE AND APPLICATION CHARACTERISTICS SEE ENVELOPE DRAWING 0425-015-0000 AND 0425-021-0000.

2. RECOMMENDED PANEL THICKNESS: .062[1.58] TO .187[4.76].


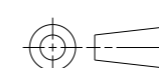
1. THIS RECEPTACLE TO BE USED WITH 2411-002-1805 (PLASTIC) **C2** PANEL NUT AND 2414-002-1886 LOCK WASHER.

$\varnothing 1.507 \pm .005$
[38.28 ± .12]



1.442^{+.010}_{-.000}
[36.63^{+.25}_{-.00}]

RECOMMENDED MOUNTING HOLE

THIS DRAWING IS A CONTROLLED DOCUMENT.		DWN S. BEARD	12JAN2000	 TE Connectivity	
		CHK J. LIM	04FEB2004		
DIMENSIONS: INCH [MM]		APVD S. BEARD	16JAN2004	NAME RECEPTACLE CONNECTOR SHELL SIZE 18 BAYONET COUPLING HDP20 SERIES	
		PRODUCT SPEC	108-151015	SIZE A3	
TOLERANCES UNLESS OTHERWISE SPECIFIED: 0 PLC ±- 1 PLC ±- 2 PLC ±- 3 PLC ±.025 4 PLC ±- ANGLES ±-		APPLICATION SPEC	114-151015	CAGE CODE	00779
MATERIAL		WEIGHT	20.4 g	DRAWING NO	©-HDP24-18-XXPSX
		CUSTOMER DRAWING		RESTRICTED TO	-
				SCALE	2.000
				SHEET	1 OF 1
				REV	C2

Mouser Electronics

Authorized Distributor

Click to View Pricing, Inventory, Delivery & Lifecycle Information:

[TE Connectivity:](#)

[HDP24-18-14PN](#)