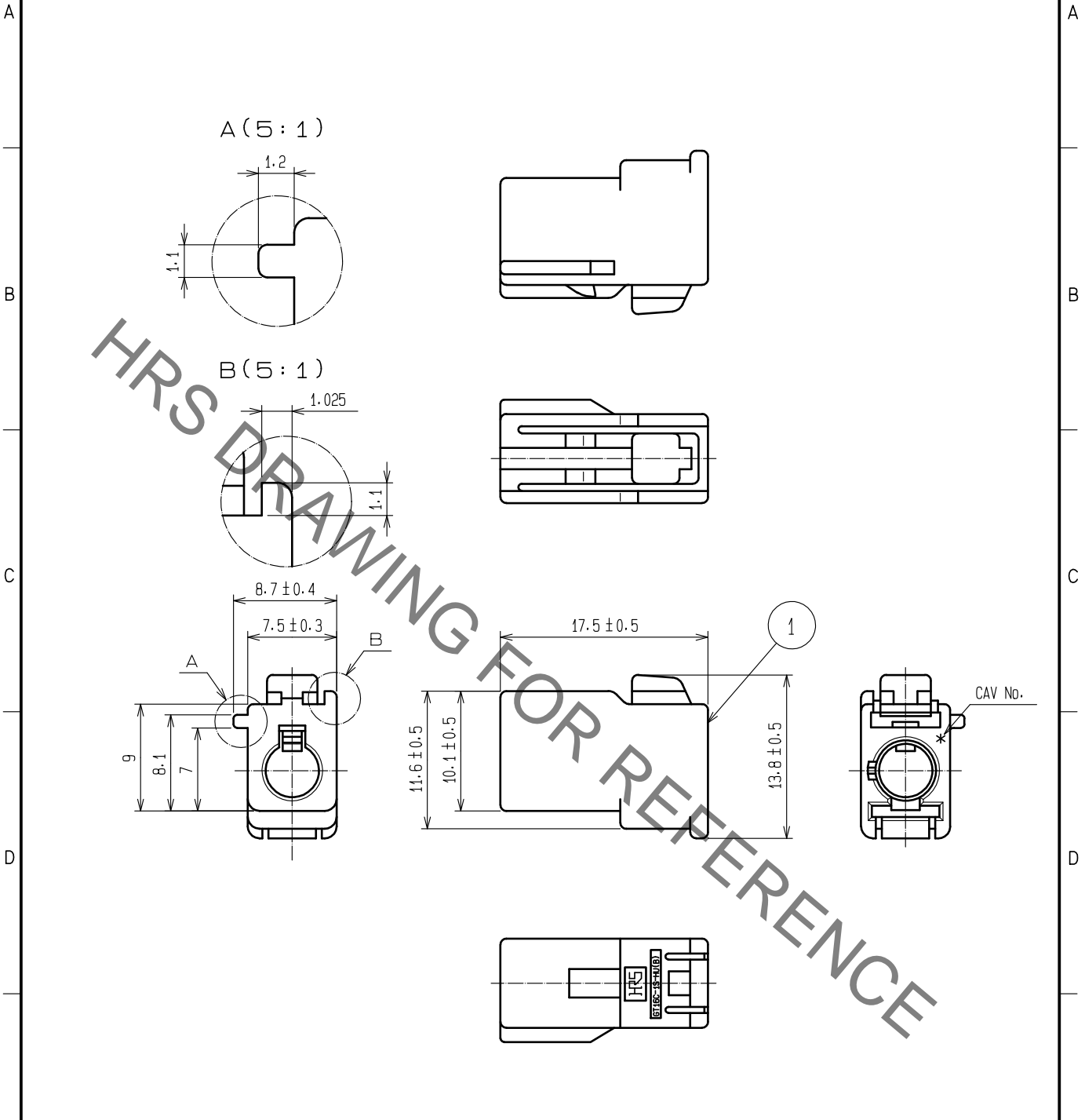


Feb.1.2021 Copyright 2021 HIROSE ELECTRIC CO., LTD. All Rights Reserved.
In case of consideration for using Automotive equipment / device which demand high reliability, kindly contact our sales window correspondents.

ELV. RoHS COMPLIANT



NOTE1. THIS CONNECTOR SHALL BE USED WITH A RETAINER
GT16C-1P/S-R (CL766-0011-6).

1	PBT	GREEN						
NO.	MATERIAL	FINISH	REMARKS	NO.	MATERIAL	FINISH	REMARKS	
UNITS mm		SCALE 2 : 1	COUNT 	DESCRIPTION OF REVISIONS		DESIGNED	CHECKED	DATE
HIROSE ELECTRIC CO., LTD.		APPROVED	:NH. NAKATA	15.09.03	DRAWING NO.	EDC-166307-00-00		
		CHECKED	:KI. HIROKAWA	15.09.03	PART NO.	GT16C-1S-HU(B)		
		DESIGNED	:ming. jiang	15.08.24	CODE NO.	CL766-0061-4-00		
		DRAWN	:ming. jiang	15.08.24				