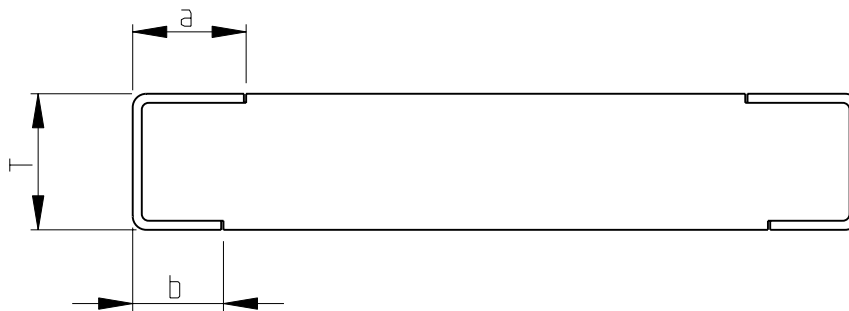
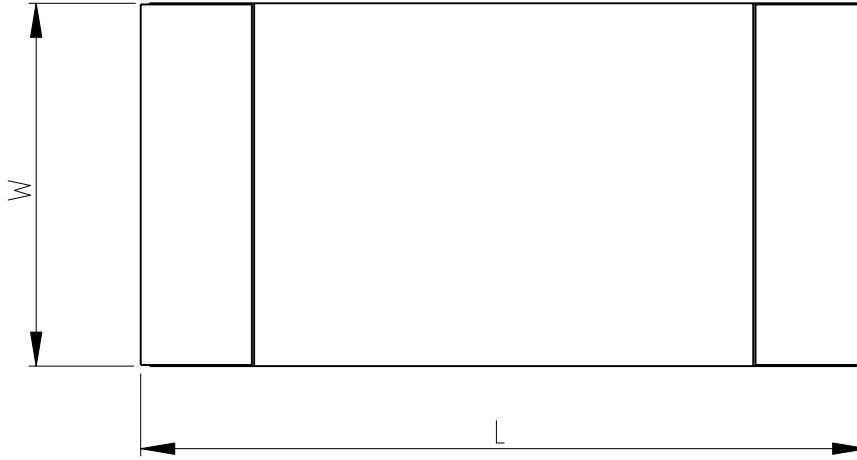
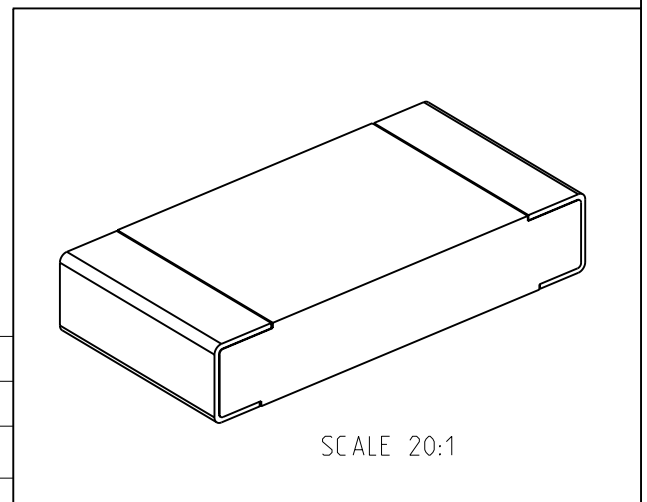


LOC	DIST	REVISIONS					
E	B	P	LTR	DESCRIPTION	DATE	DWN	APVD
				BA1 REVISED PER ECO-11-005150	29MAR2011	RK	HMR

FOR FURTHER INFORMATION SEE DATA SHEET FOR FCR SERIES-FUSIBLE CHIP RESISTORS



RoHS Compliant



2010	5.0±0.2	2.5±0.2	0.6±0.1	0.5±0.3	0.4+0.2/-0.1
1206	3.2±0.2	1.6±0.2	0.6±0.1	0.5±0.3	0.5±0.25
STYLE	L	W	T	a	b


2008

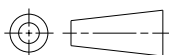
RELEASED FOR PUBLICATION

ALL RIGHTS RESERVED.

© COPYRIGHT 2008

THIS DRAWING IS UNPUBLISHED.

DIMENSIONS: mm	DWN	SUBHASH.M	04-DEC-08	MATERIAL	-	FINISH	-
	CHK	PRAKASH.S	04-DEC-08	NAME	 TE Connectivity		
TOLERANCES UNLESS OTHERWISE SPECIFIED:	APVD	STEPHEN.P	04-DEC-08	FUSIBLE CHIP RESISTORS			
	0 PLC	± 0.2	PRODUCT SPEC	SERIES FCR			
1 PLC	± 0.1	APPLICATION SPEC	-	SIZE	A 4	CAGE CODE	00779
2 PLC	± -	WEIGHT	-	DRAWING NO	C= 1879229		RESTRICTED TO
3 PLC	± -			SCALE 30:1			SHEET 1 OF 1
4 PLC	± -			CUSTOMER DRAWING			REV BA1
ANGLES ± 5°							



Mouser Electronics

Authorized Distributor

Click to View Pricing, Inventory, Delivery & Lifecycle Information:

[TE Connectivity:](#)

[FCR1206J10R](#)