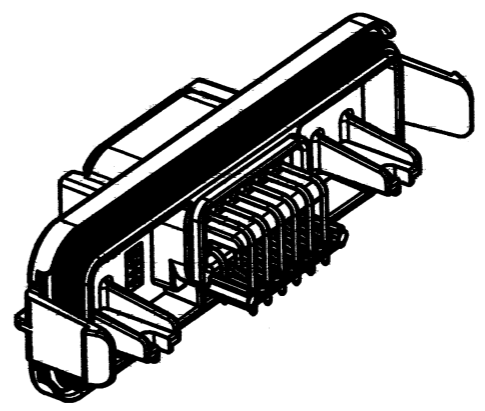
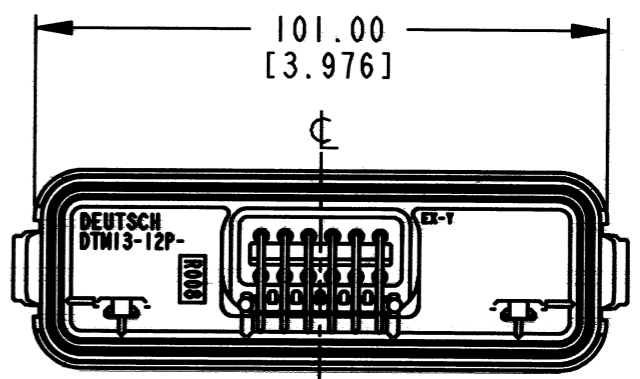
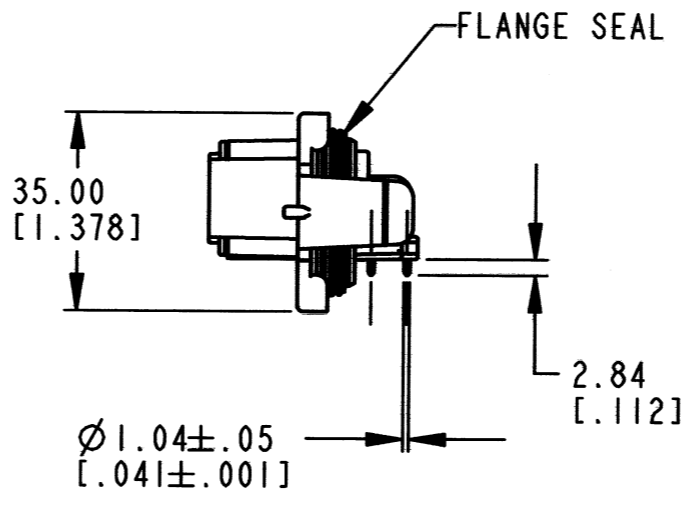
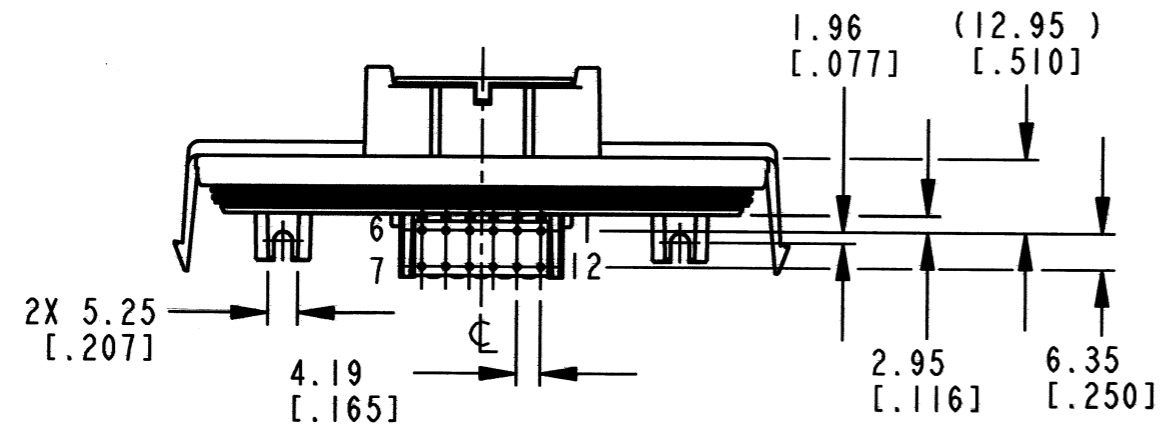
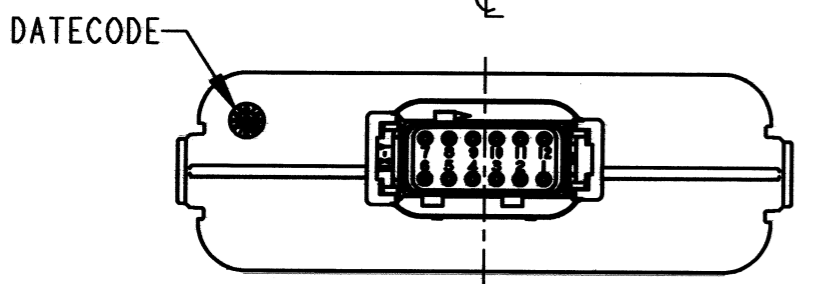
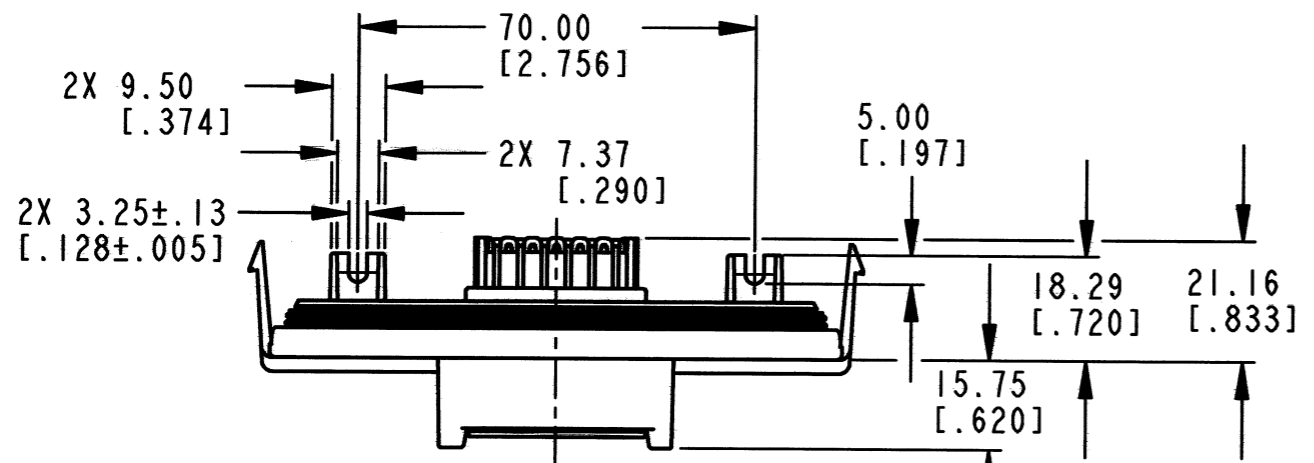


REV C DTM13-12P\*-R008

REVISIONS			
SYM	DESCRIPTION	DATE	APPROVED
NC	NEW RELEASE PER E.O. P17244	4-26-01	R.D.R.
A	REVISED PER E.O. P18708	7-29-05	R.D.R.
B	REVISED PER E.O. P19335	8/3/06	RDR
C	REVISED PER E.O. P20972	11-7-11	RDR



7. SEE SHEET 2 FOR OTHER KEY ARRANGEMENTS.
6. THIS RECEPTACLE IS USED WITH EEC-325X4(A OR B) ENCLOSURE. SEE ENVELOPE DRAWING EEC-325X4A/EEC-325X4B FOR ENCLOSURE INFORMATION.
5. THIS RECEPTACLE MATES WITH DTM06-12S\*-\*\*\*\* PLUG. (\* = A,B,C,D KEYS; \*\*\*\* = ALL MODIFICATIONS).
4. MATERIAL - PLASTIC (BLACK); SEALS: RUBBER.
3. CONTACT PLATING - MATING SIDE: NICKEL; PCB SIDE: TIN.
2. DIMENSION TOLERANCE: ±.64 [.025].
1. DIMENSIONS ARE IN MILLIMETERS [IN].

NOTES: UNLESS OTHERWISE SPECIFIED

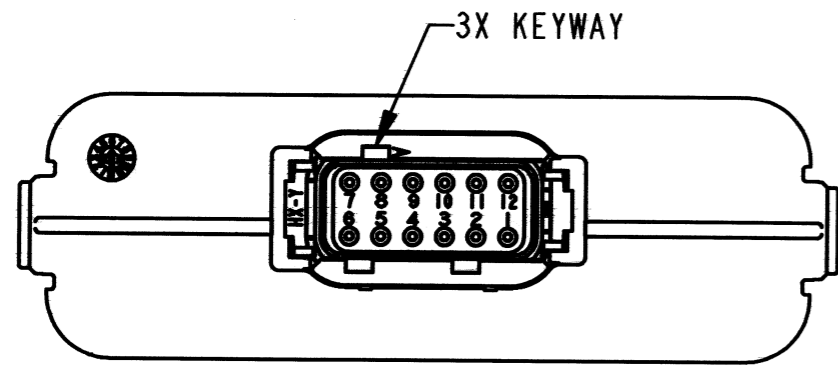
SIGNATURE & DATE	
DR	J. APOSTOL 19 APR 2001
CHK	[Signature] 11/07/2011
PE	[Signature]
APPD	[Signature]
SCALE	NONE WT

RECEPTACLE  
12 #20 SIZE CONTACT  
KEY ARRANGEMENTS A,B,C,D  
-R008 MOD  
DTM SERIES  
ENVELOPE

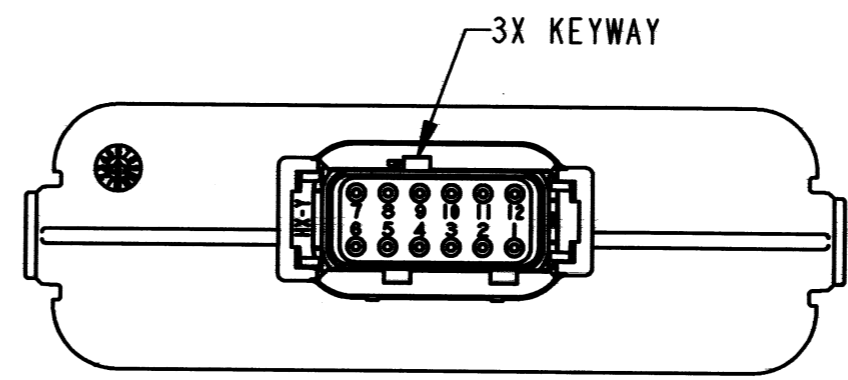
EP	MATL. CODE
3850 INDUSTRIAL AVE. HEMET, CA 92545	
<b>B</b>	<b>DTM13-12P*-R008</b>
DWG SIZE	CODE 11139 SHEET 1 OF 2



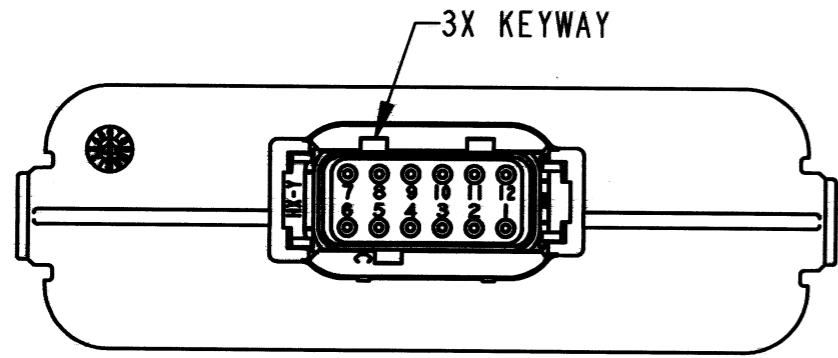
REV C	DTM13-12P*-R008	REVISIONS			
		SYM	DESCRIPTION	DATE	APPROVED
		C	SEE SHEET ONE	11-7-11	RDR



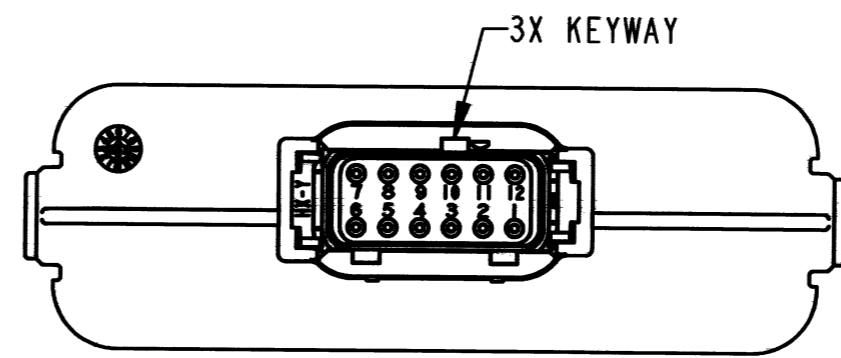
**DTM13-12PA-R008**  
**KEY -A-**  
**SLEEVE COLOR: GREY**



**DTM13-12PB-R008**  
**KEY -B-**  
**SLEEVE COLOR: BLACK**



**DTM13-12PC-R008**  
**KEY -C-**  
**SLEEVE COLOR: GREEN**



**DTM13-12PD-R008**  
**KEY -D-**  
**SLEEVE COLOR: BROWN**

NOTES:

SIGNATURE & DATE		RECEPTACLE 12 #20 SIZE CONTACT KEY ARRANGEMENTS A,B,C,D -R008 MOD DTM SERIES ENVELOPE	EP	MATL. CODE
DR	J. APOSTOL 19APR2001		3850 INDUSTRIAL AVE. HEMET, CA 92545 	
CHK	<i>[Signature]</i> 11/07/2011		<b>DTM13-12P *-R008</b>	
PE	<i>[Signature]</i> 9/26/11		DWG SIZE	CODE 11139
APPD	<i>[Signature]</i> 11/7/11		SHEET 2 OF 2	
SCALE	NONE	WT		

# Mouser Electronics

Authorized Distributor

Click to View Pricing, Inventory, Delivery & Lifecycle Information:

[TE Connectivity:](#)

[DTM13-12PA-R008](#)