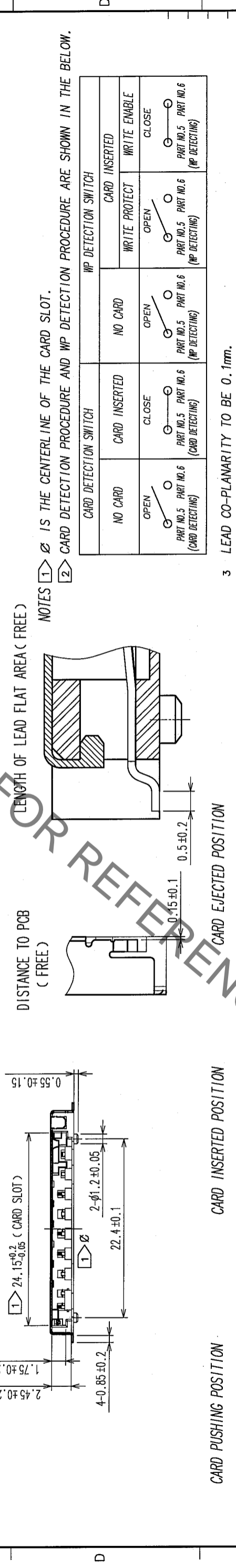
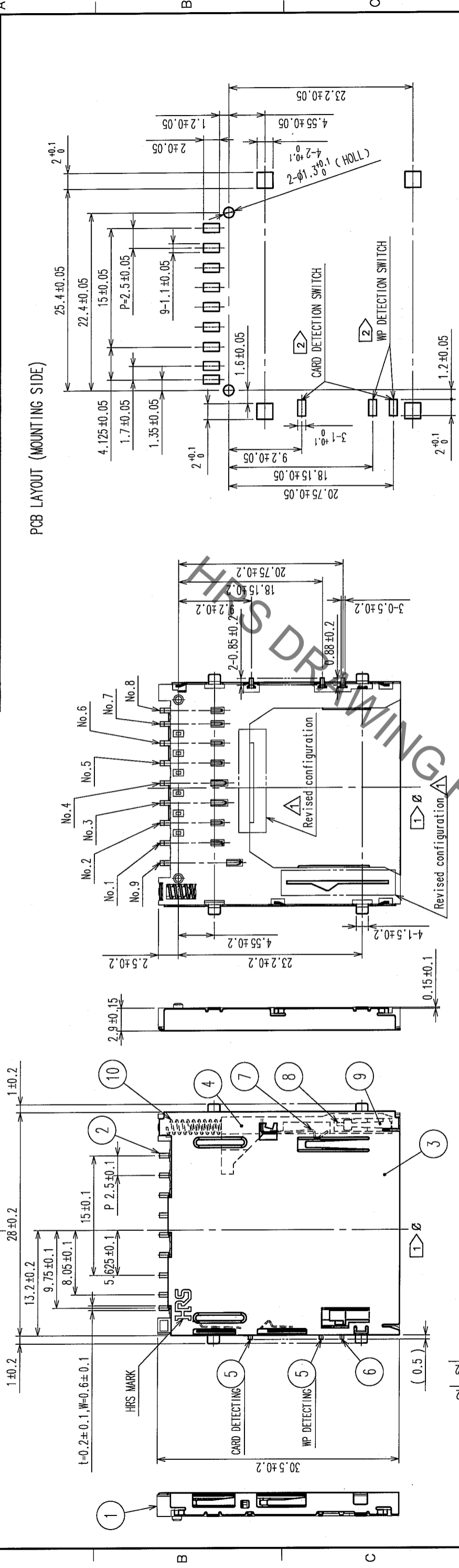


2 In case of consideration for using Automotive equipment / device which demand high reliability, kindly contact our sales window correspondents.

COUNT	DESCRIPTION OF REVISIONS	BY	CHKD	DATE	COUNT	DESCRIPTION OF REVISIONS	BY	CHKD	DATE
2	DIS-F-000445	H.S.		05.09.27					



NO.	MATERIAL	FINISH, REMARKS	NO.	MATERIAL	FINISH, REMARKS
3	STAINLESS STEEL	MOUNTING AREA: Ni0.5μm-Sn1μm	10	SWC	Ni3μm
2	COPPER ALLOY	CONTACT AREA: Ni2μm-m+Au0.2μm	7~9	STAINLESS STEEL	
1	LCP	MOUNTING AREA: Ni2μm-m+Au0.03μm	5, 6	COPPER ALLOY	CONTACT AREA: Ni2μm-m+Au0.2μm
		BLACK UL94V-0	4	LCP	MOUNTING AREA: Ni2μm-m+Au0.03μm

CODE NO. (OLD)	CL	DRAWN	DESIGNED	CHECKED	APPROVED	RELEASED
		H. SAITOU	H. SAITOU	S. TOMIOKA	K. AKIYAMA	

DRAWING NO.	PART NO.
EDC3-153736-02	DM1AA-SF-PEJ(82)

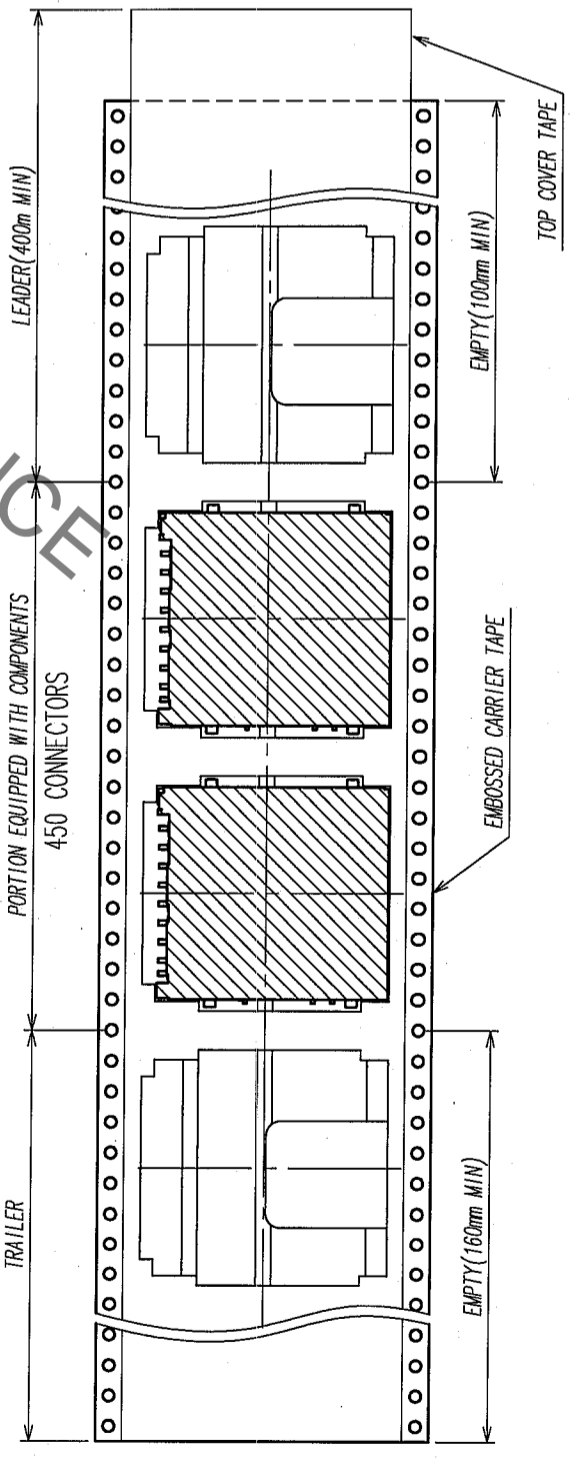
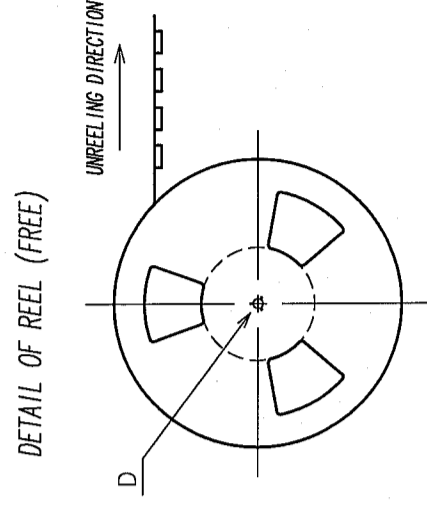
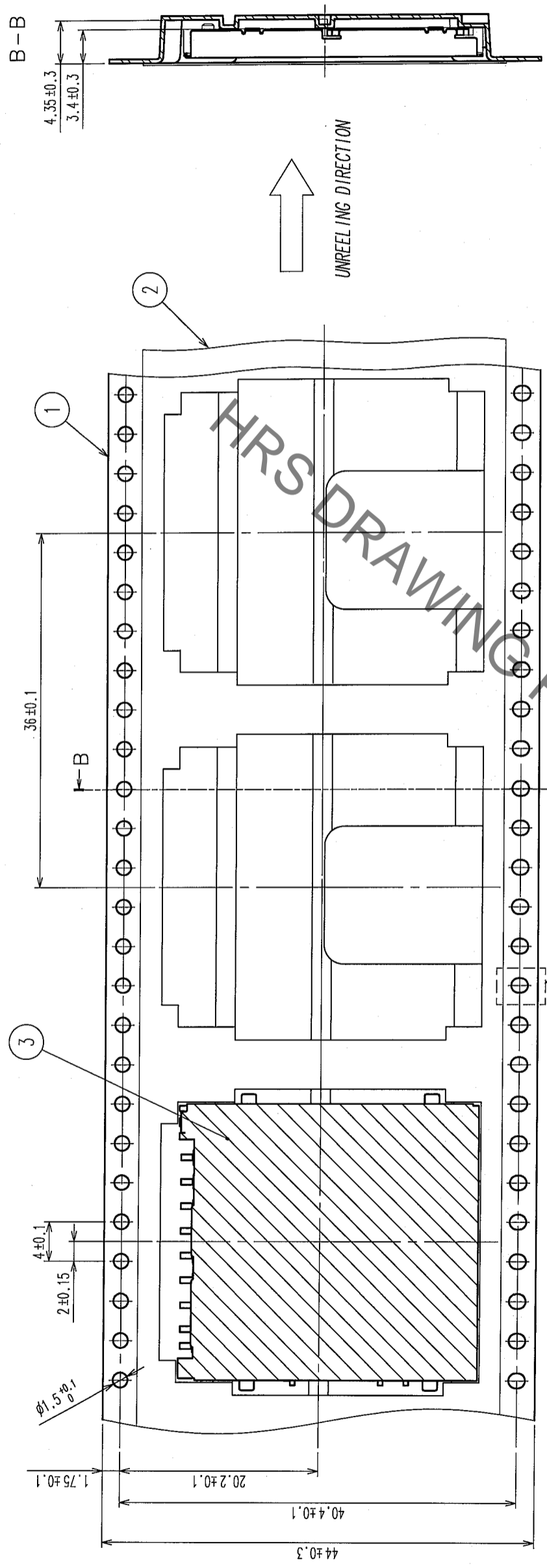
SCALE	UNITS	CODE NO.
2 : 1	mm	CL609-0004-8-82

TO

2 In case of consideration for using Automotive equipment / device which demand high reliability, kindly contact our sales window correspondents.

1
8

COUNT	DESCRIPTION OF REVISIONS	BY	CHKD	DATE	COUNT	DESCRIPTION OF REVISIONS	BY	CHKD	DATE



NOTES 1 450 CONNECTORS / REEL			
NO.	MATERIAL	FINISH, REMARKS	FINISH, REMARKS
3 (CONNECTORS)			
2	POLYESTER		
1	PS		

NO.	MATERIAL	FINISH, REMARKS	FINISH, REMARKS

CODE NO. (OLD)	CL	DRAWN	DESIGNED	CHECKED	APPROVED	RELEASED
		H.SAITOU	H.SAITOU	S.TOMIOKA	K.AKIYAMA	
		'05.07.19	'05.07.19	'05.07.19	'05.07.19	

DRAWING NO.	PART NO.
EDC3-153736-02	DM1AA-SF-PEJ (82)

SCALE	UNITS	CODE NO.
2 : 1	mm	CL609-0004-8-82