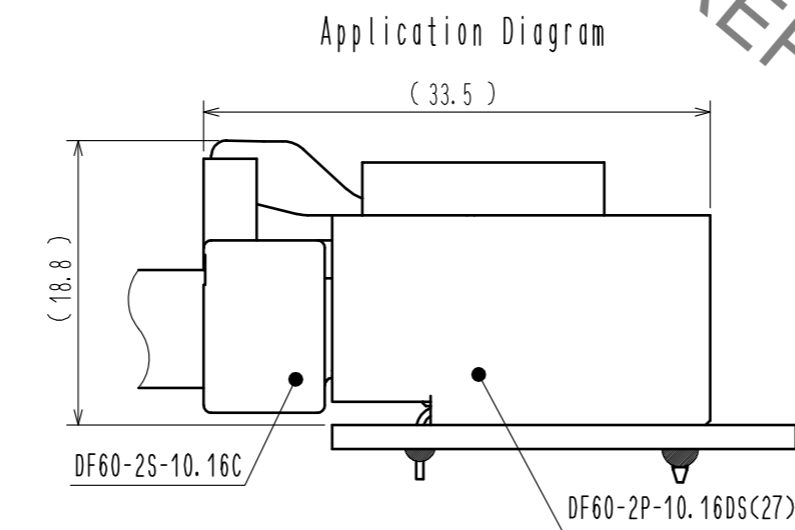
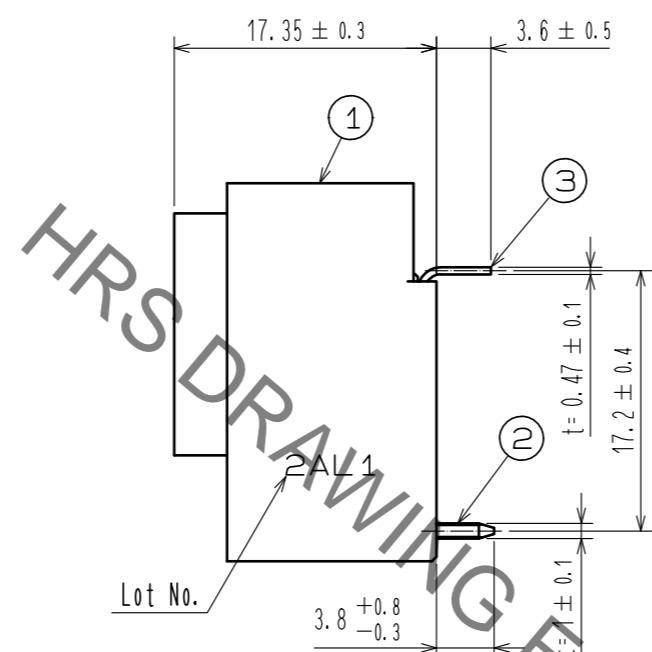
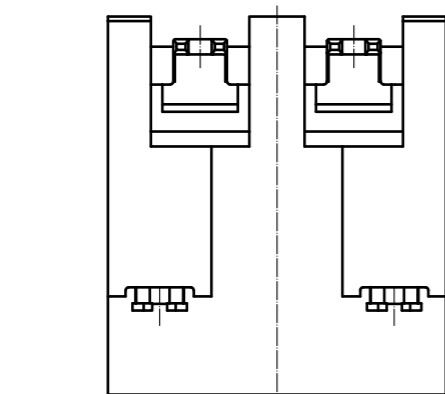
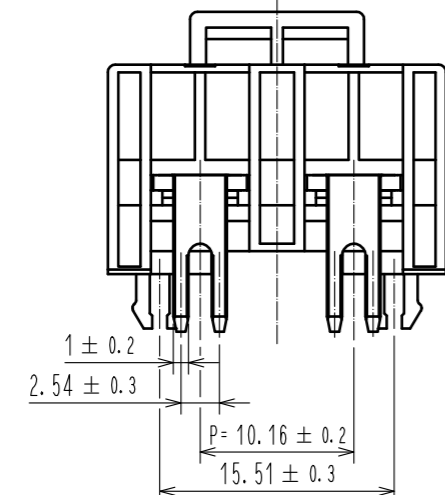
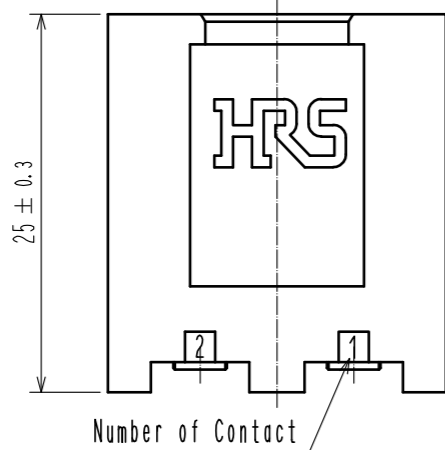
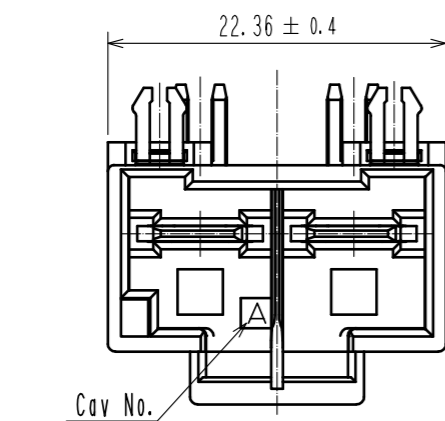
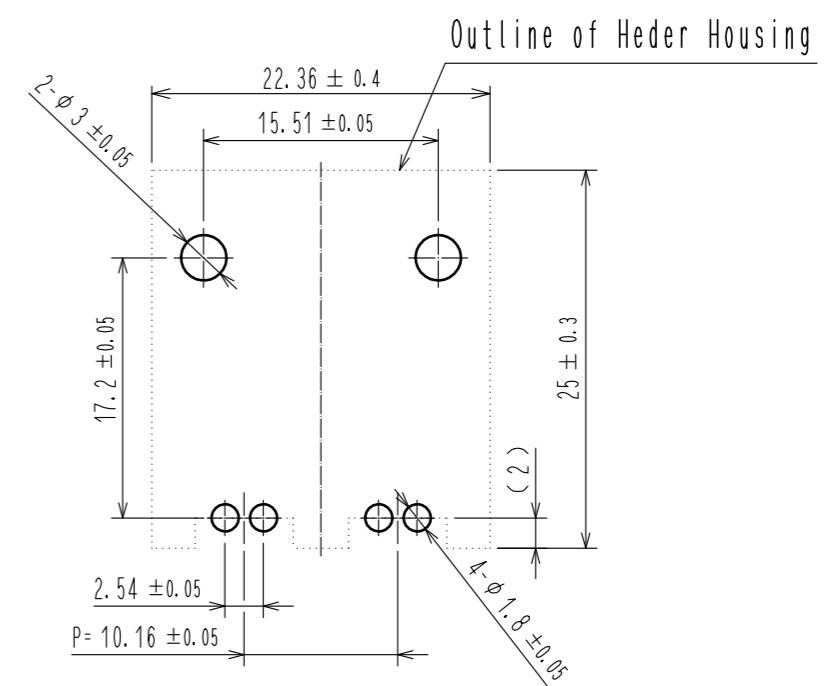


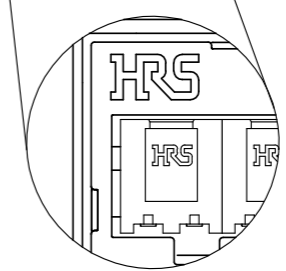
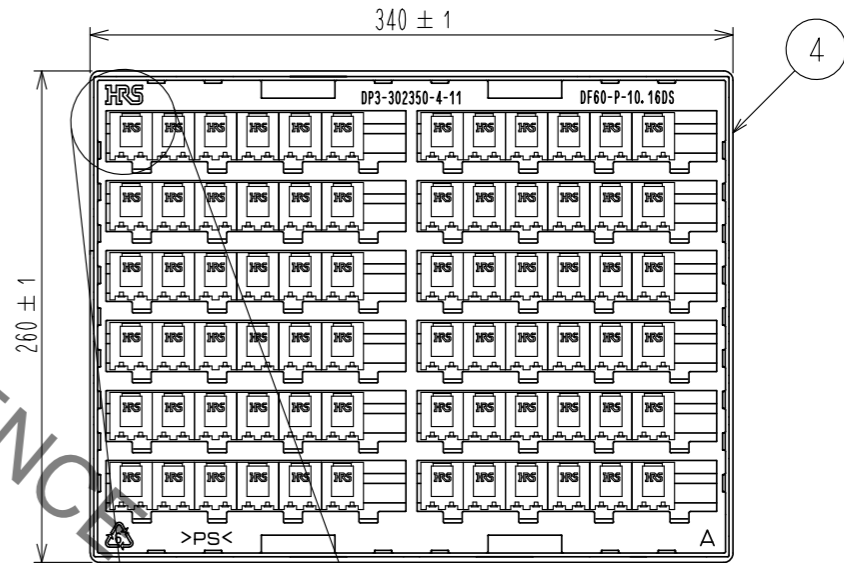
May.1.2021 Copyright 2021 HIROSE ELECTRIC CO., LTD. All Rights Reserved.
In case of consideration for using Automotive equipment / device which demand high reliability, kindly contact our sales window correspondents.



Recommended PCB Layout
(Board thickness : t=1.6±0.1mm)



Packing Diagram(FREE)



4	PS	CLEAR
3	Brass	Tin Plating 1μm min
2	Copper Alloy	Contact Area : Au Plating 0.2μm min
		Lead area : Tin Plating 1μm min
		Under Plating : Ni Plating 1μm min

Notes 1. Per tray : 72 Pieces.
2. UL(File No. E52653)
C-UL(File No. E52653)
TUV (Certificate No. R50244085) authorization article.



1	PBT	BLACK, UL94-V0						
NO.	MATERIAL	FINISH	REMARKS	NO.	MATERIAL	FINISH	REMARKS	
UNITS	mm	SCALE	2 : 1	COUNT	DESCRIPTION OF REVISIONS	DESIGNED	CHECKED	DATE
APPROVED : KI. AKIYAMA 15.06.03				DRAWING NO. EDC-342144-27-00				
CHECKED : TS. FUKUSHIMA 15.06.02				PART NO. DF60-2P-10.16DS(27)				
DESIGNED : TS. KUMAZAWA 15.06.02				CODE NO. CL680-3016-4-27				
DRAWN : TS. KUMAZAWA 15.06.02				1/1				