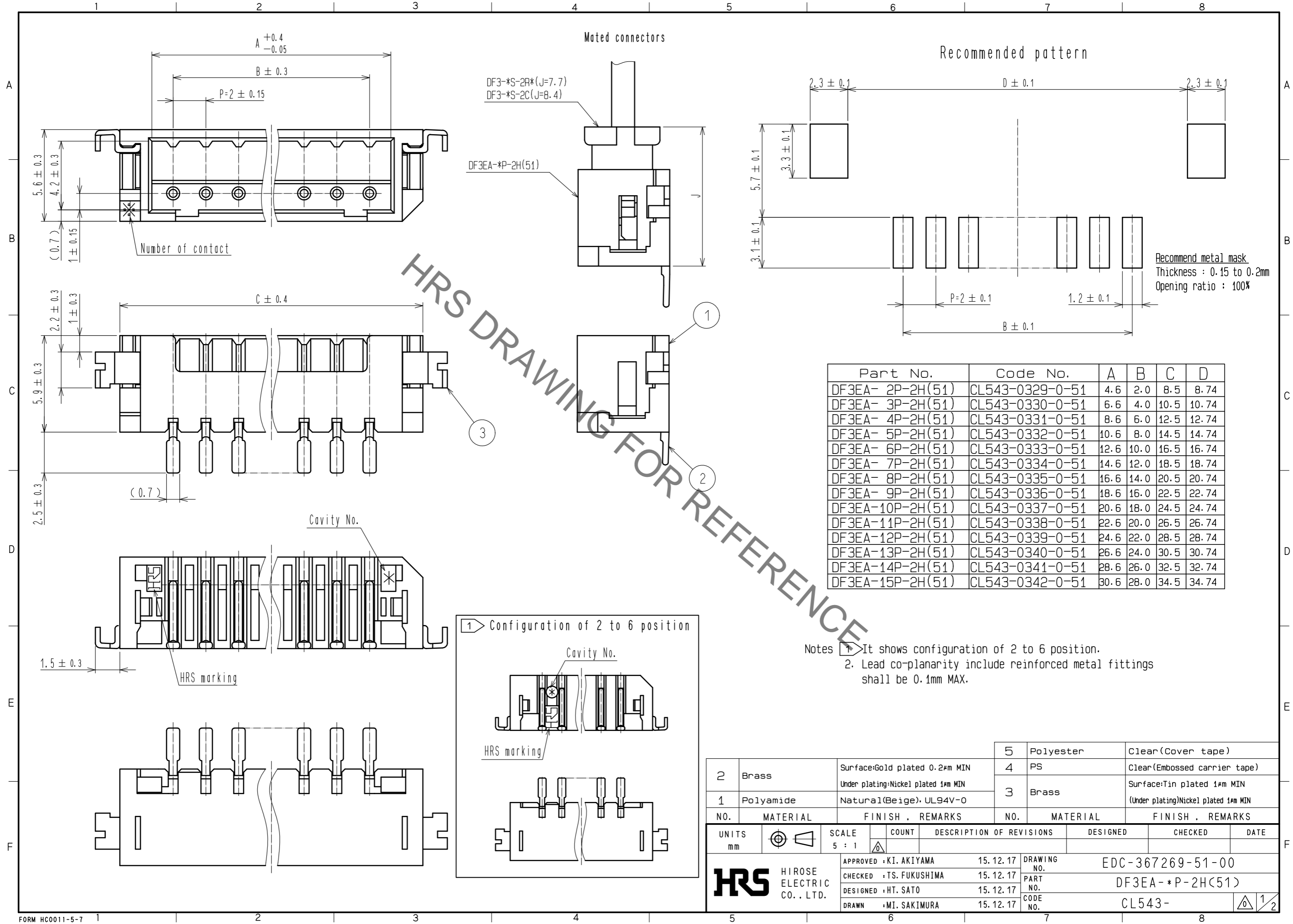


Mar.1.2021 Copyright 2021 HIROSE ELECTRIC CO., LTD. All Rights Reserved.
In case of consideration for using Automotive equipment / device which demand high reliability, kindly contact our sales window correspondents.



Part No.	Code No.	A	B	C	D
DF3EA- 2P-2H(51)	CL543-0329-0-51	4.6	2.0	8.5	8.74
DF3EA- 3P-2H(51)	CL543-0330-0-51	6.6	4.0	10.5	10.74
DF3EA- 4P-2H(51)	CL543-0331-0-51	8.6	6.0	12.5	12.74
DF3EA- 5P-2H(51)	CL543-0332-0-51	10.6	8.0	14.5	14.74
DF3EA- 6P-2H(51)	CL543-0333-0-51	12.6	10.0	16.5	16.74
DF3EA- 7P-2H(51)	CL543-0334-0-51	14.6	12.0	18.5	18.74
DF3EA- 8P-2H(51)	CL543-0335-0-51	16.6	14.0	20.5	20.74
DF3EA- 9P-2H(51)	CL543-0336-0-51	18.6	16.0	22.5	22.74
DF3EA-10P-2H(51)	CL543-0337-0-51	20.6	18.0	24.5	24.74
DF3EA-11P-2H(51)	CL543-0338-0-51	22.6	20.0	26.5	26.74
DF3EA-12P-2H(51)	CL543-0339-0-51	24.6	22.0	28.5	28.74
DF3EA-13P-2H(51)	CL543-0340-0-51	26.6	24.0	30.5	30.74
DF3EA-14P-2H(51)	CL543-0341-0-51	28.6	26.0	32.5	32.74
DF3EA-15P-2H(51)	CL543-0342-0-51	30.6	28.0	34.5	34.74

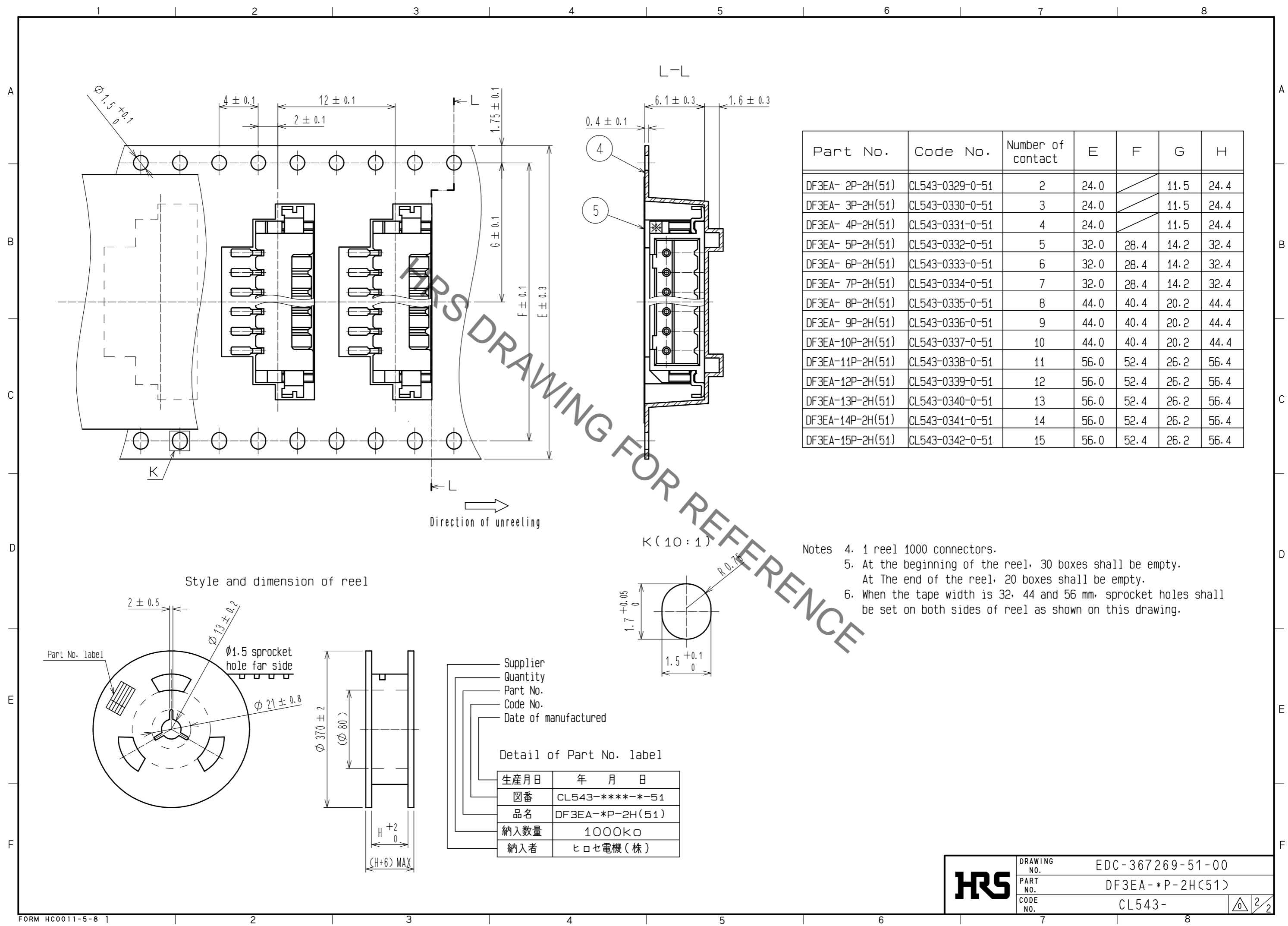
NO.	MATERIAL	FINISH .	REMARKS	NO.	MATERIAL	FINISH .	REMARKS
2	Brass	Surface:Gold plated 0.2µm MIN Under plating:Nickel plated 1µm MIN		5	Polyester		Clear(Cover tape)
1	Polyamide	Natural(Beige), UL94V-0		4	PS		Clear(Embossed carrier tape)
				3	Brass		Surface:Tin plated 1µm MIN (Under plating)Nickel plated 1µm MIN

UNITS	SCALE	COUNT	DESCRIPTION OF REVISIONS	DESIGNED	CHECKED	DATE
mm	5 : 1	△				

APPROVED : KI. AKIYAMA	15.12.17	DRAWING NO.	EDC-367269-51-00
CHECKED : TS. FUKUSHIMA	15.12.17	PART NO.	DF3EA-*P-2H(51)
DESIGNED : HT. SATO	15.12.17	CODE NO.	CL543-
DRAWN : MI. SAKIMURA	15.12.17		

HRS DRAWING FOR REFERENCE

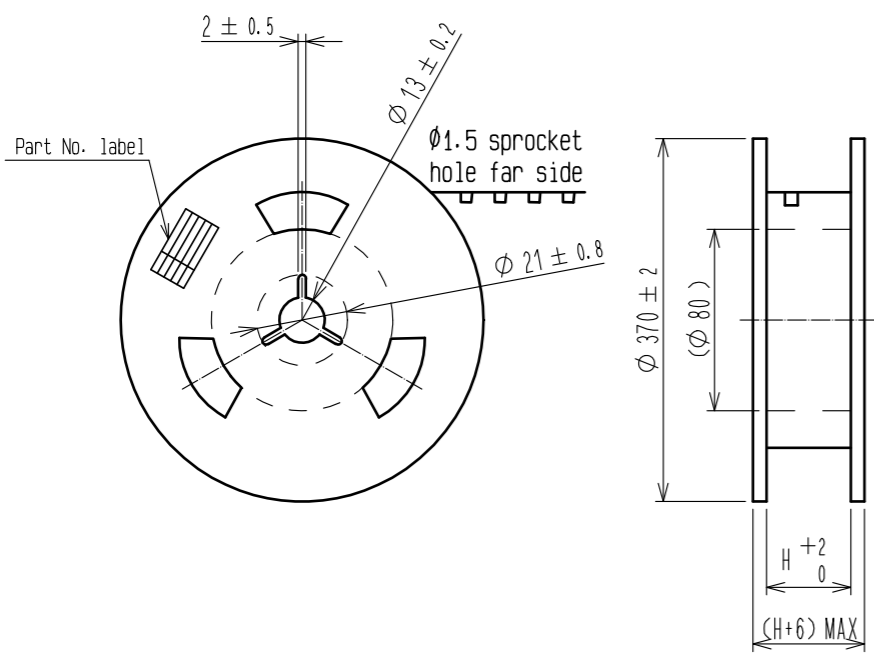
Mar.1.2021 Copyright 2021 HIROSE ELECTRIC CO., LTD. All Rights Reserved.
In case of consideration for using Automotive equipment / device which demand high reliability, kindly contact our sales window correspondents.



Part No.	Code No.	Number of contact	E	F	G	H
DF3EA- 2P-2H(51)	CL543-0329-0-51	2	24.0		11.5	24.4
DF3EA- 3P-2H(51)	CL543-0330-0-51	3	24.0		11.5	24.4
DF3EA- 4P-2H(51)	CL543-0331-0-51	4	24.0		11.5	24.4
DF3EA- 5P-2H(51)	CL543-0332-0-51	5	32.0	28.4	14.2	32.4
DF3EA- 6P-2H(51)	CL543-0333-0-51	6	32.0	28.4	14.2	32.4
DF3EA- 7P-2H(51)	CL543-0334-0-51	7	32.0	28.4	14.2	32.4
DF3EA- 8P-2H(51)	CL543-0335-0-51	8	44.0	40.4	20.2	44.4
DF3EA- 9P-2H(51)	CL543-0336-0-51	9	44.0	40.4	20.2	44.4
DF3EA-10P-2H(51)	CL543-0337-0-51	10	44.0	40.4	20.2	44.4
DF3EA-11P-2H(51)	CL543-0338-0-51	11	56.0	52.4	26.2	56.4
DF3EA-12P-2H(51)	CL543-0339-0-51	12	56.0	52.4	26.2	56.4
DF3EA-13P-2H(51)	CL543-0340-0-51	13	56.0	52.4	26.2	56.4
DF3EA-14P-2H(51)	CL543-0341-0-51	14	56.0	52.4	26.2	56.4
DF3EA-15P-2H(51)	CL543-0342-0-51	15	56.0	52.4	26.2	56.4

- Notes
- 1 reel 1000 connectors.
 - At the beginning of the reel, 30 boxes shall be empty.
At The end of the reel, 20 boxes shall be empty.
 - When the tape width is 32, 44 and 56 mm, sprocket holes shall be set on both sides of reel as shown on this drawing.

Style and dimension of reel



Supplier
Quantity
Part No.
Code No.
Date of manufactured

Detail of Part No. label

生産月日	年 月 日
箱番	CL543-****-*-51
品名	DF3EA-*P-2H(51)
納入数量	1000K□
納入者	ヒロセ電機(株)

HRS

DRAWING NO.	EDC-367269-51-00
PART NO.	DF3EA-*P-2H(51)
CODE NO.	CL543-

2/2