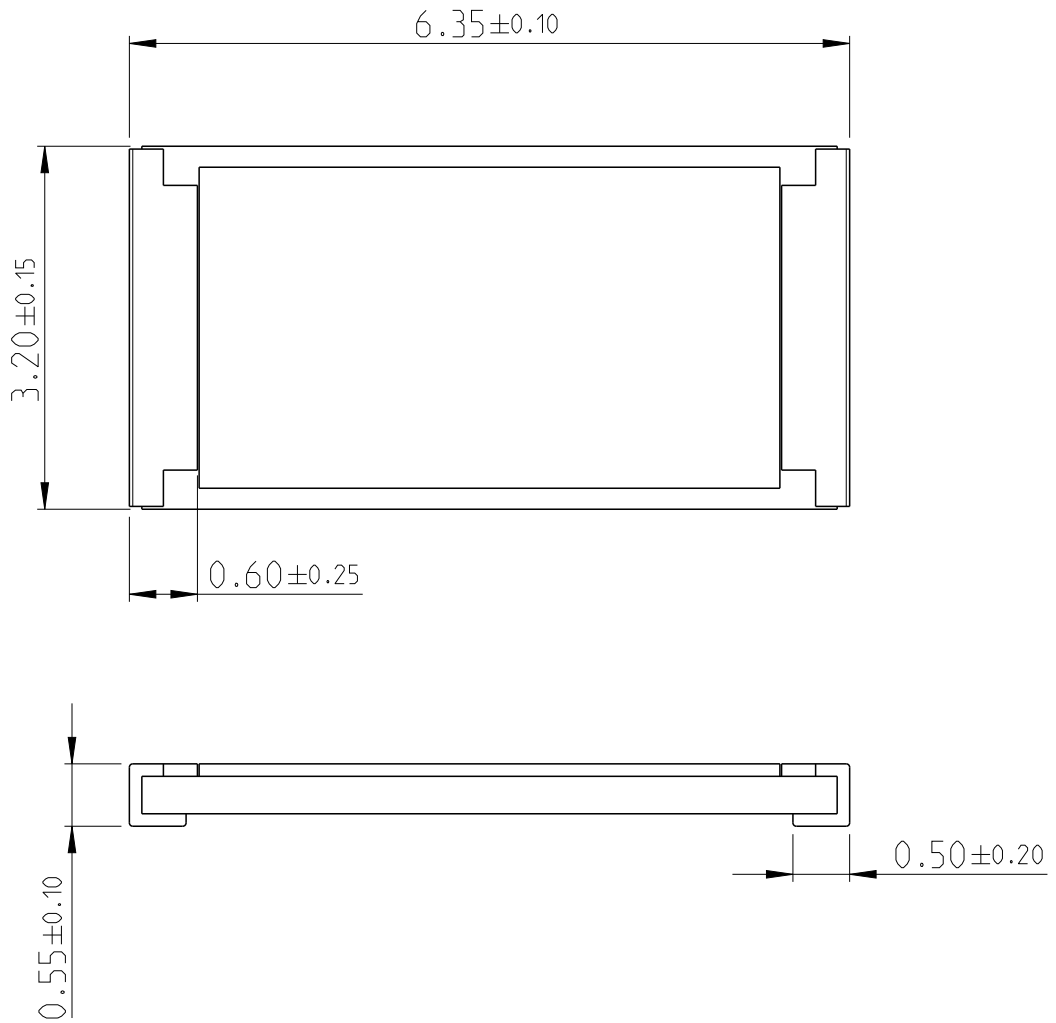
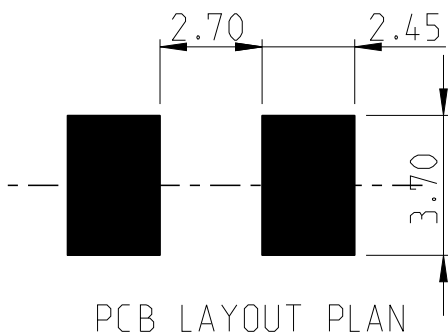


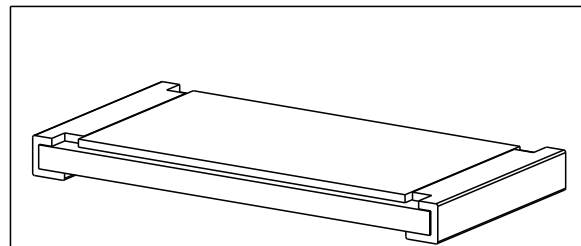
LOC	DIST	REVISIONS					
		P	LTR	DESCRIPTION	DATE	DWN	APVD
-	-	BC		ECR-16-000748	18JAN2016	KR	TN




FOR FURTHER INFORMATION SEE PRODUCT SPECIFICATION FOR CRGH SERIES



RoHS Compliant



20  
 RELEASED FOR PUBLICATION  
 ALL RIGHTS RESERVED.  
 THIS DRAWING IS UNPUBLISHED.  
 BY -  
 COPYRIGHT © 20

DIMENSIONS: mm	DWN RAGHAVENDRA K	27JUN2012	MATERIAL	-	FINISH	-
	CHK ALLAN P	27JUN2012	 TE Connectivity			
TOLERANCES UNLESS OTHERWISE SPECIFIED:	APVD TONY N	27JUN2012				
0 PLC ±	PRODUCT SPEC	-	NAME SMD POWER RESISTORS - TYPE CRGH2512 SERIES			
1 PLC ±0.5	APPLICATION SPEC	-	SIZE	CAGE CODE	DRAWING NO	RESTRICTED TO
2 PLC ±0.13	WEIGHT	-	A 4	00779	C-1879502	-
3 PLC ±0.013			Customer Drawing			
4 PLC ±0.0001			SCALE	40:1	SHEET	1 OF 1
ANGLES ±					REV	BC

# Mouser Electronics

Authorized Distributor

Click to View Pricing, Inventory, Delivery & Lifecycle Information:

[TE Connectivity:](#)

[CRGH2512J27K](#)