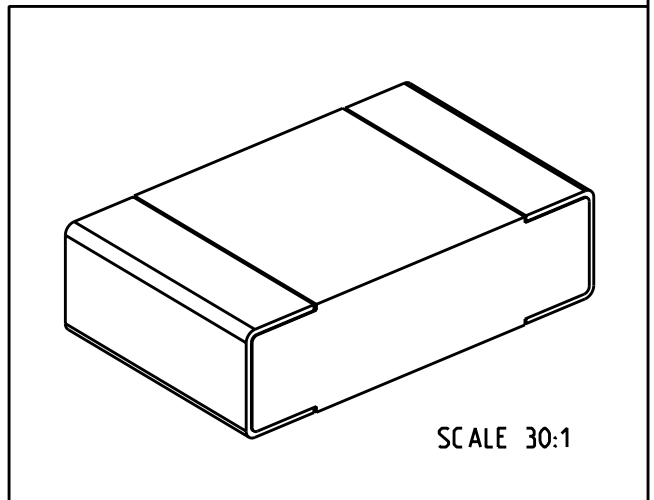


| | | | | | | | |
|-----|------|-----------|-----|-------------|-----------|-----|------|
| LOC | DIST | REVISIONS | | | | | |
| E | B | P | LTR | DESCRIPTION | DATE | DWN | APVD |
| | | | BA | NEW RELEASE | 06-AUG-09 | SM | SI.P |

FOR FURTHER INFORMATION SEE DATA SHEET FOR
CRG SERIES-THICK FILM CHIP RESISTORS



RoHS Compliant



SCALE 30:1

2009

RELEASED FOR PUBLICATION

THIS DRAWING IS UNPUBLISHED.

BY TYCO ELECTRONICS CORPORATION. ALL RIGHTS RESERVED.

© COPYRIGHT 2009

| | | | | | | | |
|--|-------|------------------|-----------|--|-----------|------------|---------------|
| DIMENSIONS: | | DWN | 06-AUG-09 | MATERIAL | - | FINISH | - |
| mm | | SUBHASH.M | | Tyco Electronics Corporation Dorcan, Swindon, SN3 5HH | | | |
| TOLERANCES UNLESS OTHERWISE SPECIFIED: | | CHK | 06-AUG-09 | | | | |
| 0 PLC | ± 0.5 | ALLAN.P | | NAME THICK FILM CHIP RESISTORS SERIES CRG 0805 | | | |
| 1 PLC | ± 0.2 | APVD | 06-AUG-09 | | | | |
| 2 PLC | ± 0.1 | STEPHEN.P | | SIZE | CAGE CODE | DRAWING NO | RESTRICTED TO |
| 3 PLC | ± - | PRODUCT SPEC | - | A 4 | 00779 | C- 1623285 | - |
| 4 PLC | ± - | APPLICATION SPEC | - | CUSTOMER DRAWING | | | |
| ANGLES | ± 5° | WEIGHT | - | SCALE | 40:1 | SHEET | 1 OF 1 |
| | | | | | | REV | BA |

Mouser Electronics

Authorized Distributor

Click to View Pricing, Inventory, Delivery & Lifecycle Information:

[TE Connectivity:](#)

[CRG0805F7K5](#)