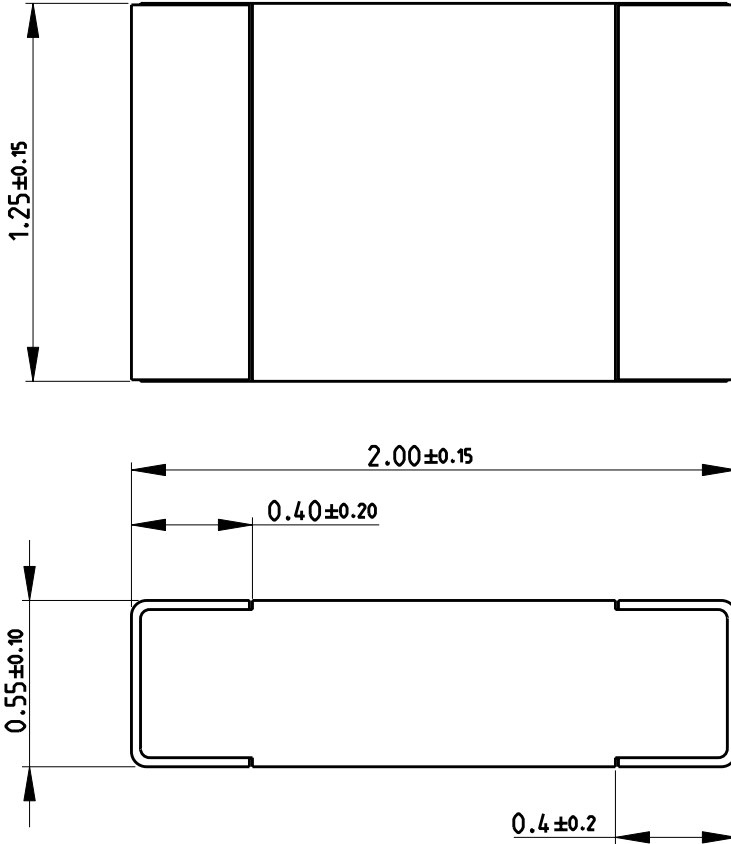
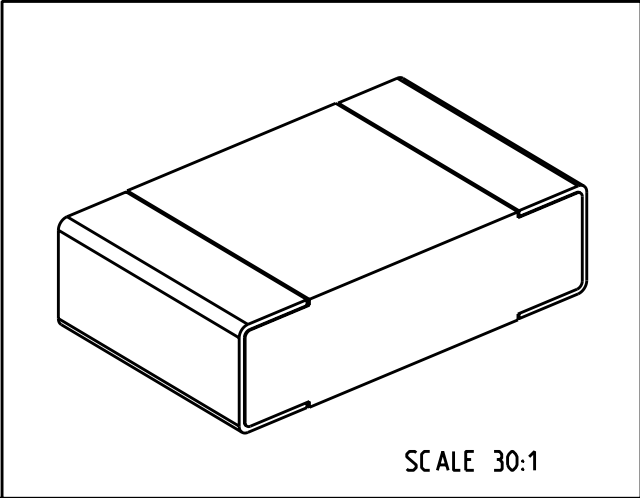


LOC	DIST	REVISIONS					
E	B	P	LTR	DESCRIPTION	DATE	DWN	APVD
		BA		NEW RELEASE	08-JAN-09	SM	St.P

FOR FURTHER INFORMATION SEE DATA SHEET FOR  
CRG SERIES-THICK FILM CHIP RESISTORS



RoHS Compliant



2009

RELEASED FOR PUBLICATION

THIS DRAWING IS UNPUBLISHED.

BY TYCO ELECTRONICS CORPORATION. ALL RIGHTS RESERVED.

© COPYRIGHT 2009

DIMENSIONS: <b>mm</b>	DWN <b>SUBHASH.M</b>	08-JAN-09	MATERIAL	-	FINISH	-
	CHK <b>PRAKASH.S</b>	08-JAN-09	Tyco Electronics Corporation Dorcan, Swindon, SN3 5HH			
TOLERANCES UNLESS OTHERWISE SPECIFIED:	APVD <b>STEPHEN.P</b>	08-JAN-09				
0 PLC ±0.5	PRODUCT SPEC	-	NAME <b>THICK FILM CHIP RESISTORS</b>			
1 PLC ±0.2	APPLICATION SPEC	-	SERIES <b>CRG 0805</b>			
2 PLC ±0.1	WEIGHT	-	SIZE	CAGE CODE	DRAWING NO	RESTRICTED TO
3 PLC ±-			A 4	00779	C- 1623209	-
4 PLC ±-			CUSTOMER DRAWING			SCALE 40:1
ANGLES ±5°			SHEET 1 OF 1			REV BA

# Mouser Electronics

Authorized Distributor

Click to View Pricing, Inventory, Delivery & Lifecycle Information:

[TE Connectivity:](#)

[CRG0805F39K](#)