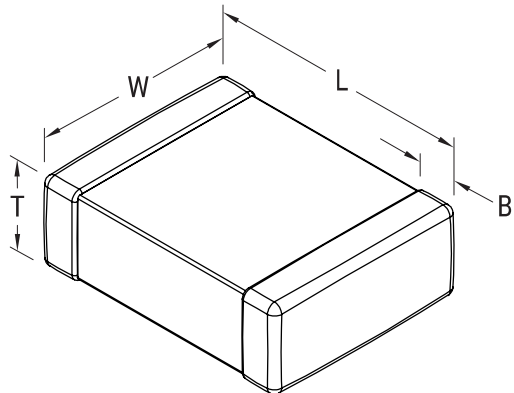


KEMET Part Number: C2220H362JGGACTU
(C2220H362JGGAC7800)

SMD Indust COG HVHT200C, Ceramic, 3600 pF, 5%, 2000 VDC, COG, SMD, MLCC, High Temperature, Ultra-Stable, Low Loss, 2220



Dimensions	
Chip Size	2220
L	5.7mm +/-0.4mm
W	5mm +/-0.4mm
T	2.5mm +/-0.20mm
B	0.6mm +/-0.35mm

Packaging Specifications	
Packaging:	T&R, 180mm, Plastic Tape
Packaging Quantity:	500

General Information	
Series:	SMD Indust COG HVHT200C
Style:	SMD Chip
Description:	SMD, MLCC, High Temperature, Ultra-Stable, Low Loss
Features:	High Temp, Ultra-Stable, Low Loss
RoHS:	Yes
Termination:	Tin
Marking:	No
AEC-Q200:	No
Shelf Life:	78 Weeks
MSL:	1

Specifications	
Capacitance:	3600 pF
Capacitance Tolerance:	5%
Voltage DC:	2000 VDC
Dielectric Withstanding Voltage:	2400 VDC
Temperature Range:	-55/+200°C
Temperature Coefficient:	COG
Capacitance Change with Reference to +25°C and 0 VDC Applied (TCC):	30 ppm/C, 1kHz 1.0Vrms
Dissipation Factor:	0.10% 1kHz 1.0Vrms
Aging Rate:	0% Loss/Decade Hour
Insulation Resistance:	100 GOhms