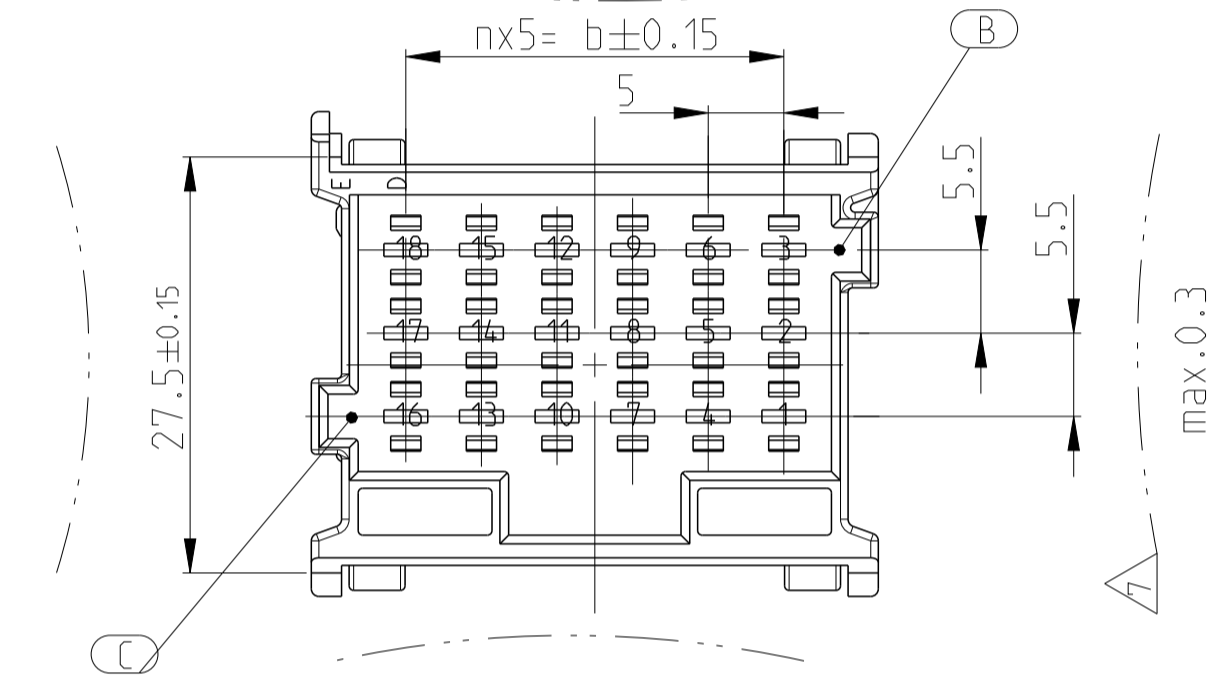
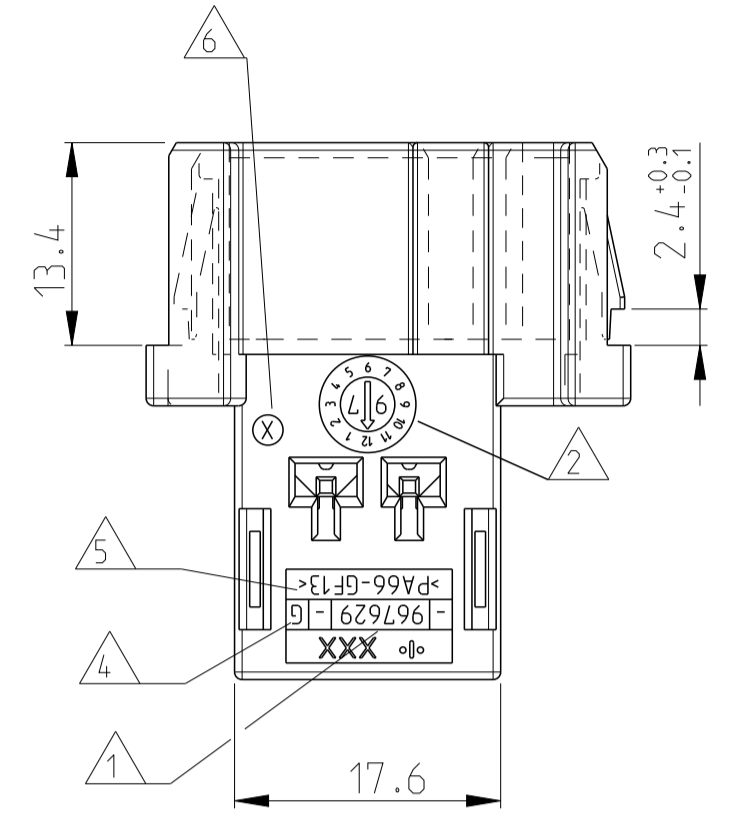
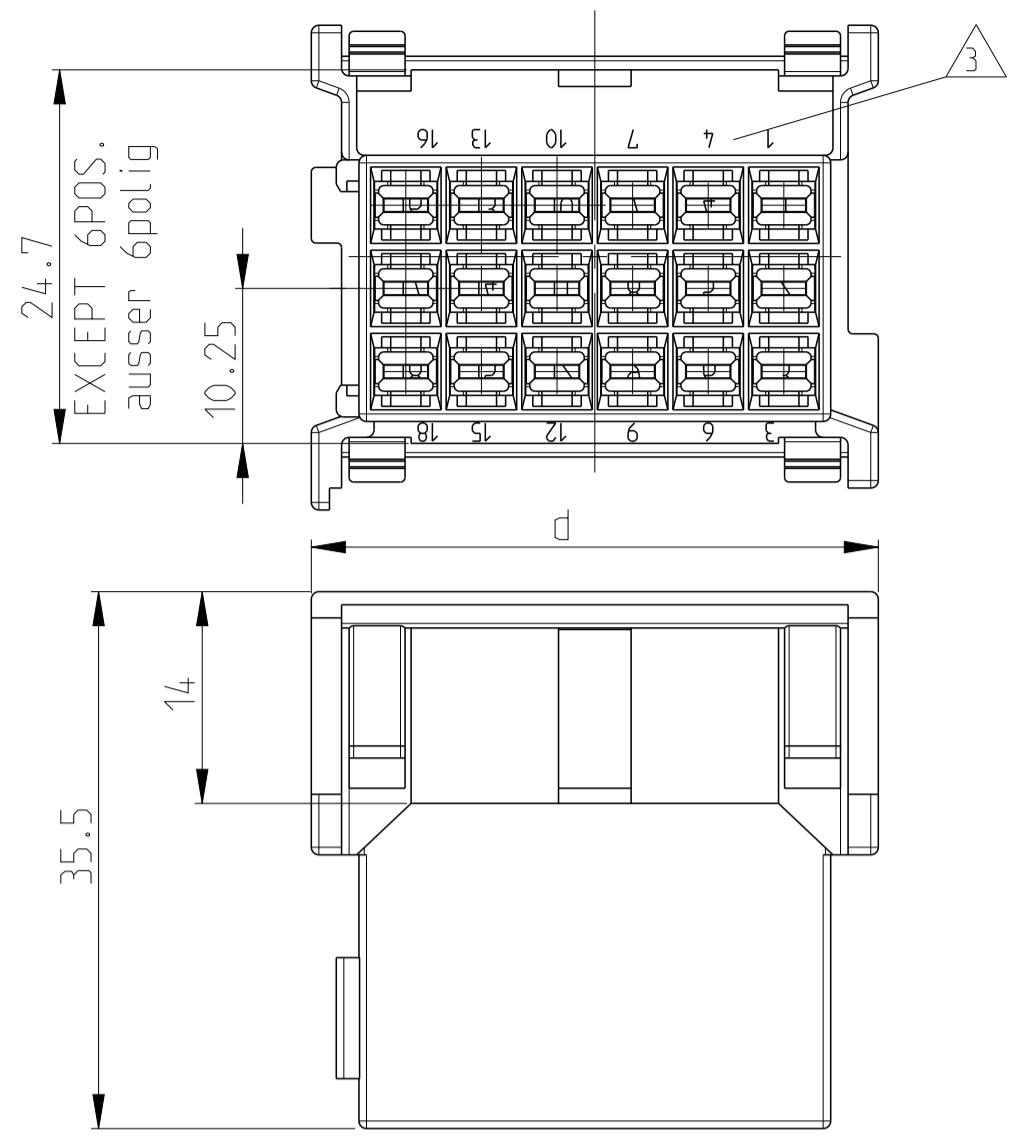
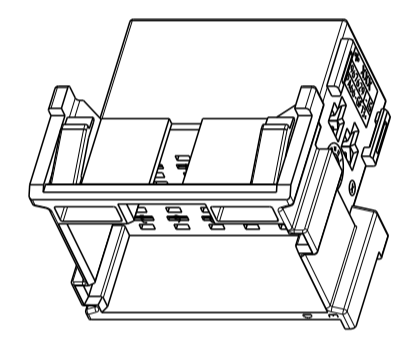


| REVISIONS | | | | |
|-----------|-----|---|-----------|---------------|
| P. | LTN | DESCRIPTION | DATE | OWN APVD |
| C6 | | View updated: New variant 1-967629-0 added | 18JUN2012 | Mahnke Krauss |
| C7 | | Location code changed | 30JUL2013 | Ho. Krauss |
| D | | Changed tab headers material from PA66-GF13 to PBT-GF15 | 2FEB2019 | JJH GB |
| E | | Changed tab headers material from PBT-GF15 to PA66-GF13 | 13NOV2019 | GB SZG |



CODING A (GROOVES B-C) AS SHOWN
 (1-967629- ...) Kodierung A (Nuten B-C) wie gezeichnet

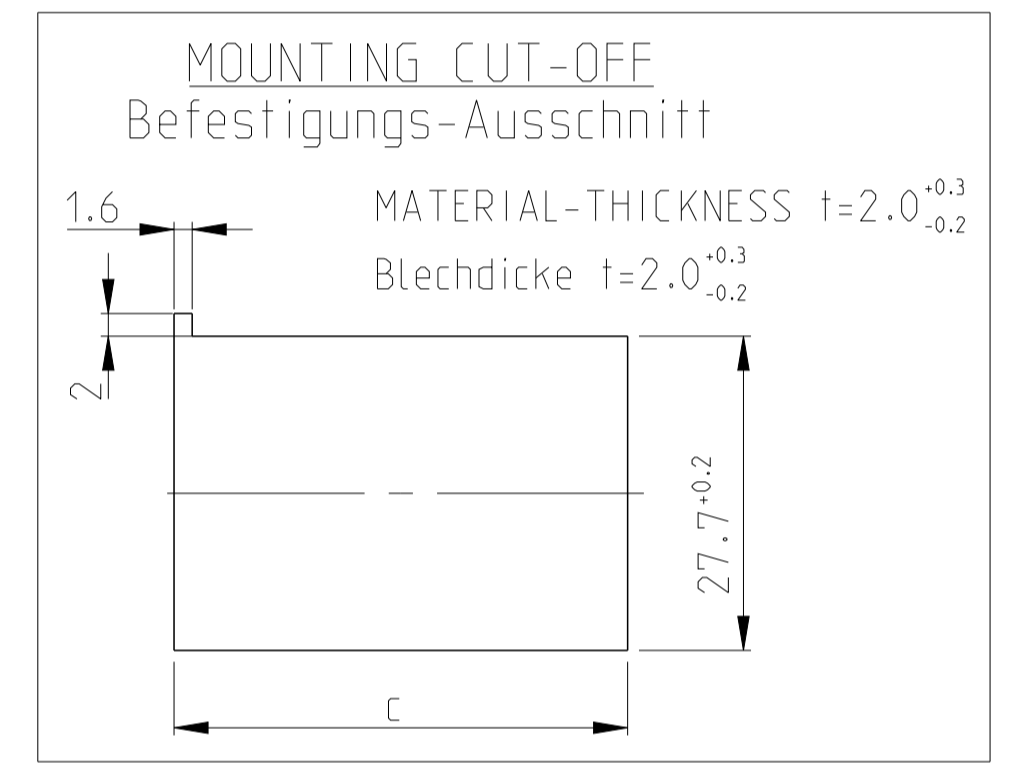


3D-MODEL (18POS)
 1:1

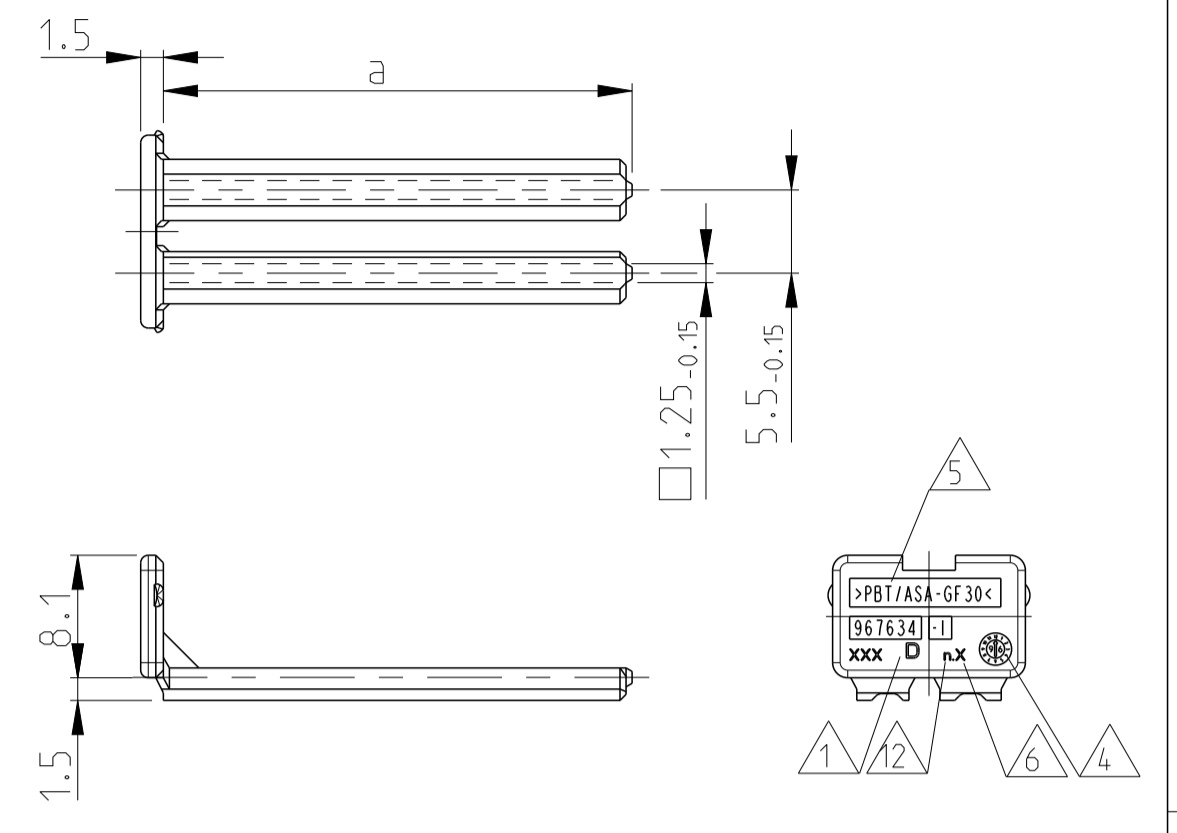
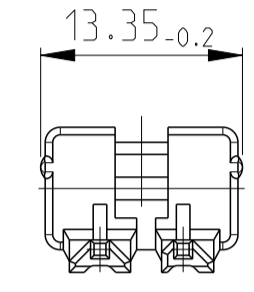
| | | | | | | | | |
|--|-------|---|----|------|------|----|----|-------|
| | 10.7g | 6 | 30 | 42.8 | 42.5 | 21 | 36 | 0.7g |
| | 9.4g | 5 | 25 | 37.8 | 37.5 | 18 | 31 | 0.65g |
| | 8.3g | 4 | 20 | 32.8 | 32.5 | 15 | 26 | 0.55g |
| | 6.9g | 3 | 15 | 27.8 | 27.5 | 12 | 21 | 0.5g |
| | 5.8g | 2 | 10 | 22.8 | 22.5 | 9 | 16 | 0.4g |
| | 4.5g | 1 | 5 | 17.8 | 17.5 | 6 | 11 | 0.35g |

CODING A: CAVITY NUMBER. (CAVITIES ONLY SYMBOL.)
 Kodierung A: Kammerbezeichnung. (Kammern nur symbol. dargest.)

WEIGHT n b_{±0.2} c^{±0.1} d_{±0.3} POSITIONS Polzahl a_{±0.15} WEIGHT Gewicht



2



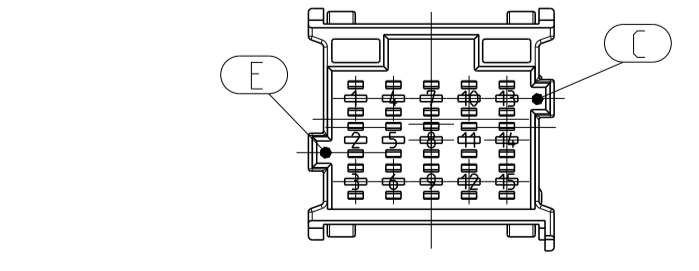
967634-1 AS SHOWN
 wie gezeichnet

- 1 ACTIVE COMPANY LOGO AND SINGLE PART NUMBER
 Aktuelles Firmen-Logo und Bestell-Nr. Einzelteil
- 2 PRODUCTION-DATE
 Produktionsdatum
- 3 CAVITY-MARKING
 Kammerbezeichnung
- 4 THE REVISION STATUS OF THE MOULD
 Aenderungsstand des Werkzeuges
- 5 MATERIAL-MARKING ACC. TO VDA 260
- 6 MOLD CAVITY-MARKING
 Nestmarkierung
- 7 WARPAGE TO ... PERMITTED
 Verzug bis ... zulaessig
- 8 a: DIMENSION RESP. WEIGHT SECONDARY LOCKING DEVICE
 a: Mass bzw. Gewicht der zweiten Kontaktsicherung
- 9 PACKAGING: LOOSE PIECE IN CORRUGATED BOX FOR BOTH PARTS (CONDITIONED HOUSING IN PLASTIC BAG)
 Verpackung: Beide Teile werden Lose im Karton geliefert (konditionierte Gehaeuse in Kunststoff-Beutel)
- 10 CAVITIES MATING WITH TAB, 2.8mm (WITHOUT SINGLE WIRE SEAL)
 MAX. WIRE SIZE 2.5mm² FLR - SEE DRAWING:
 Kontaktkammern passend fuer Flachstecker, 2.8mm (ohne Einzel-Dichtungs-System)
 max. Drahtgrosessenbereich 2.5mm² FLR - siehe Zeichnung:
 TE-No.: 1355052
- 11 MALFUNCTION CAUSED BY LACQUER IS NOT COVERED BY TE WARRANTY
 Funktionsbeeintraechtung durch Lackieren liegt nicht im Einfluss und Gewaehrleistungsumfang von TE
- 12 TOOL-NUMBERING
 Werkzeugnummerierung

| SECONDARY LOCKING DEVICE / zweite Kontaktsicherung | | | | | | | | | | | | | | | TAB HOUSING / Flachstecker-Gehaeuse | | | | | | | | | | | | | | | MECHANICAL CODING: mechanische Kodierung: | | | | | | | |
|--|---|---|--------------|--------------------------------|----------------------|---|------------|---|------------|----------------------|------------|---|--------------------|------------|-------------------------------------|--------------------------------|------------|---|--------------------------------|------------|-------------------|--------------------------------|------------|---|--------------------------------|------------------------|--------------------|--------------------------------|------------|---|--------------------------------|------------|---|--------------------------------|---|---------------|--------------------------------|
| CODING / Kodierung D | | | | | CODING / Kodierung C | | | | | CODING / Kodierung B | | | | | CODING / Kodierung A | | | | | | | | | | POS. | DESCRIPTION Einzelteil | MATERIAL Werkstoff | | | | | | | | | | |
| RIBS / Nuten: C-E | | | | | RIBS / Nuten: B-D | | | | | RIBS / Nuten: A-C | | | | | D E | | D E | | E D | | RIBS / Nuten: B-C | | D E | | | | | D E | | D E | | | | | | | |
| 967635-1 | D | 2 | 21 POS. pol. | CLAY BROWN Lehm-braun | 4-967630-1 | G | 3-967630-1 | G | 2-967630-1 | G | - | - | - | 1-967630-6 | G | GENTIAN BLUE enzian-blau | 1-967630-5 | G | RAPE YELLOW raps-gelb | 1-967630-4 | G | YELLOW GREEN gelb-gruen | 1-967630-3 | G | TRAFFIC PURPLE verkehrs-purpur | 1-967630-2 | G | SLATE GREY schiefer-grau | 1-967630-1 | G | CLAY BROWN Lehm-braun | - | - | - | 1 | 21 POS. polig | - |
| 967634-1 | D | 2 | 18 POS. pol. | SLATE GREY schiefer-grau | 4-967629-1 | G | 3-967629-1 | G | 2-967629-1 | G | - | - | - | 1-967629-6 | G | CLAY BROWN Lehm-braun | 1-967629-5 | G | GENTIAN BLUE enzian-blau | 1-967629-4 | G | RAPE YELLOW raps-gelb | 1-967629-3 | G | YELLOW GREEN gelb-gruen | 1-967629-2 | G | TRAFFIC PURPLE verkehrs-purpur | 1-967629-1 | G | SLATE GREY schiefer-grau | 1-967629-0 | G | GRAPHITE BLACK graphit-schwarz | 1 | 18 POS. polig | GRAPHITE BLACK graphit-schwarz |
| 967633-1 | D | 2 | 15 POS. pol. | TRAFFIC PURPLE verkehrs-purpur | 4-967628-1 | G | 3-967628-1 | G | 2-967628-1 | G | - | - | - | 1-967628-6 | G | SLATE GREY schiefer-grau | 1-967628-5 | G | CLAY BROWN Lehm-braun | 1-967628-4 | G | GENTIAN BLUE enzian-blau | 1-967628-3 | G | RAPE YELLOW raps-gelb | 1-967628-2 | G | YELLOW GREEN gelb-gruen | 1-967628-1 | G | TRAFFIC PURPLE verkehrs-purpur | - | - | - | 1 | 15 POS. polig | - |
| 967632-1 | D | 2 | 12 POS. pol. | YELLOW GREEN gelb-gruen | 4-967627-1 | G | 3-967627-1 | G | 2-967627-1 | G | - | - | - | 1-967627-6 | G | TRAFFIC PURPLE verkehrs-purpur | 1-967627-5 | G | SLATE GREY schiefer-grau | 1-967627-4 | G | CLAY BROWN Lehm-braun | 1-967627-3 | G | GENTIAN BLUE enzian-blau | 1-967627-2 | G | RAPE YELLOW raps-gelb | 1-967627-1 | G | YELLOW GREEN gelb-gruen | - | - | - | 1 | 12 POS. polig | - |
| 967631-1 | D | 2 | 9 POS. pol. | RAPE YELLOW raps-gelb | 4-967626-1 | G | 3-967626-1 | G | 2-967626-1 | G | - | - | - | 1-967626-6 | G | YELLOW GREEN gelb-gruen | 1-967626-5 | G | TRAFFIC PURPLE verkehrs-purpur | 1-967626-4 | G | SLATE GREY schiefer-grau | 1-967626-3 | G | CLAY BROWN Lehm-braun | 1-967626-2 | G | GENTIAN BLUE enzian-blau | 1-967626-1 | G | RAPE YELLOW raps-gelb | - | - | - | 1 | 9 POS. polig | - |
| 968271-1 | D | 2 | 6 POS. pol. | GENTIAN BLUE enzian-blau | 4-965641-1 | G | 3-965641-1 | G | 2-965641-1 | G | 1-965641-7 | G | FLAME RED feuerrot | 1-965641-6 | G | RAPE YELLOW raps-gelb | 1-965641-5 | G | YELLOW GREEN gelb-gruen | 1-965641-4 | G | TRAFFIC PURPLE verkehrs-purpur | 1-965641-3 | G | SLATE GREY schiefer-grau | 1-965641-2 | G | CLAY BROWN Lehm-braun | 1-965641-1 | G | GENTIAN BLUE enzian-blau | - | - | - | 1 | 6 POS. polig | - |

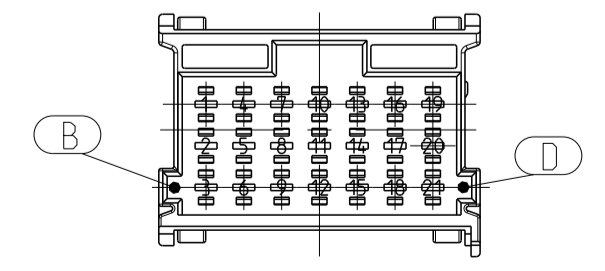
FURTHER MECHANICAL CODINGS: weitere mechanische Kodierungen:

SCALE 1:1



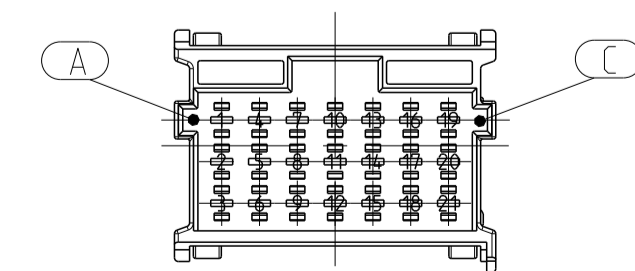
CODING D (GROOVES C-E) (Nuten C-E)

4-967628-1 SHOWN AS EXAMPLE als Beispiel gezeigt



CODING C (GROOVES B-D) (Nuten B-D)

3-967630-1 SHOWN AS EXAMPLE als Beispiel gezeigt

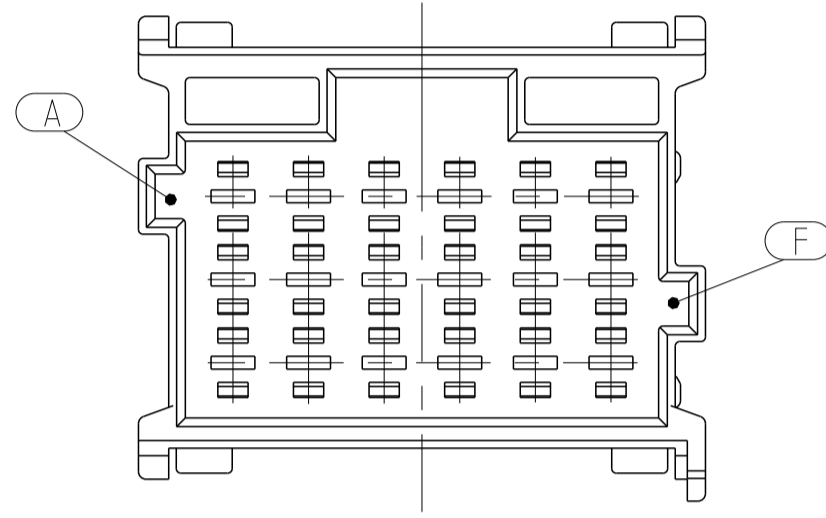


CODING B (GROOVES A-C) (Nuten A-C)

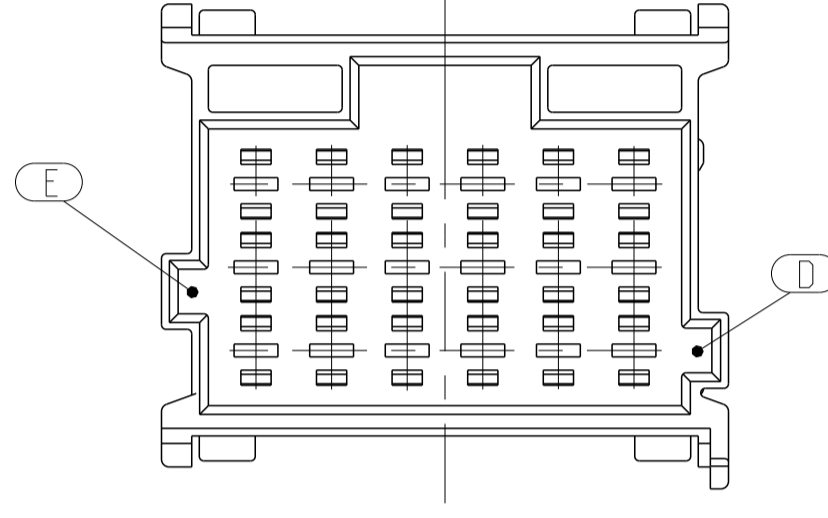
2-967630-1 SHOWN AS EXAMPLE als Beispiel gezeigt

| REVISIONS | | | | |
|-----------|-----|-------------|------|------|
| P. | LTN | DESCRIPTION | DATE | APVD |
| - | - | SEE SHEET 1 | - | - |
| | | | | |
| | | | | |

ADDITIONAL CODINGS / Zusätzliche Kodierungen



| CODING / Kodierung F | | | | MECHANICAL CODING: mechanische Kodierung: | MATERIAL SPEC. |
|--|--------------------------------|------|-----------------|---|----------------|
| RIBS / Nuten: A-F | | | | | |
| | 6-967630-1 | G | | 21 POS. pot. | PA66-GF13 |
| | 6-967629-1 | G | | 18 POS. pot. | |
| | | | ORANGE / orange | 15 POS. pot. | |
| | 6-967627-1 | G | | 12 POS. pot. | |
| | | | | 9 POS. pot. | |
| | 6-965641-1 | G | | 6 POS. pot. | |
| CUSTOMER PART NUMBER Kunden-Einzelteil-Nummer | TE ORDER-NO. TC Bestell-Nr. | REV. | | DESCRIPTION Benennung Einzelteil | |



| CODING / Kodierung E | | | | MECHANICAL CODING: mechanische Kodierung: | MATERIAL SPEC. |
|--|--------------------------------|------|------------------------------|---|----------------|
| RIBS / Nuten: E-D | | | | | |
| | 5-967630-1 | G | | 21 POS. pot. | PA66-GF13 |
| | 5-967629-1 | G | | 18 POS. pot. | |
| | | | EMERALD GREEN / smaragdgruen | 15 POS. pot. | |
| | 5-967627-1 | G | | 12 POS. pot. | |
| | | | | 9 POS. pot. | |
| | 5-965641-1 | G | | 6 POS. pot. | |
| CUSTOMER PART NUMBER Kunden-Einzelteil-Nummer | TE ORDER-NO. TC Bestell-Nr. | REV. | | DESCRIPTION Benennung Einzelteil | |

THIS DRAWING IS A CONTROLLED DOCUMENT.

| | | | | | |
|---------------------|---|--------------------------|--------------------------|------------------|--|
| DIMENSIONS: mm | TOLERANCES UNLESS OTHERWISE SPECIFIED: # 100 BOS # 100 1/10 | OWN: K.Gerlach 15APR1998 | CHK: R.Huebner 15APR1998 | APVD: 15APR1998 | NAME: PRODUCT GROUP DRAWING: TAB HOUSING (2.8mm). 6-21POS. AND SECONDARY LOCKING DEVICE. Produkt-Gruppen-Zeichnung fuer: Flachstecker Gehaeuse (2.8mm), 6-21pol. und zweite Kontaktsicherung |
| 0 PLC ± | 1 PLC ± | 2 PLC ± | 3 PLC ± | 4 PLC ± | ANGLES ± |
| MATERIAL: SEE TABLE | FINISH: SEE TABLE | WEIGHT: SEE TABLE | SIZE: A1 | CAGE CODE: 00779 | DRAWING NO: C=1355072 |
| Customer Drawing | | | SCALE: 2:1 | SHEET: 2 OF 2 | REV: E |

4805 (3/13)

Mouser Electronics

Authorized Distributor

Click to View Pricing, Inventory, Delivery & Lifecycle Information:

[TE Connectivity:](#)

[6-967627-1](#)