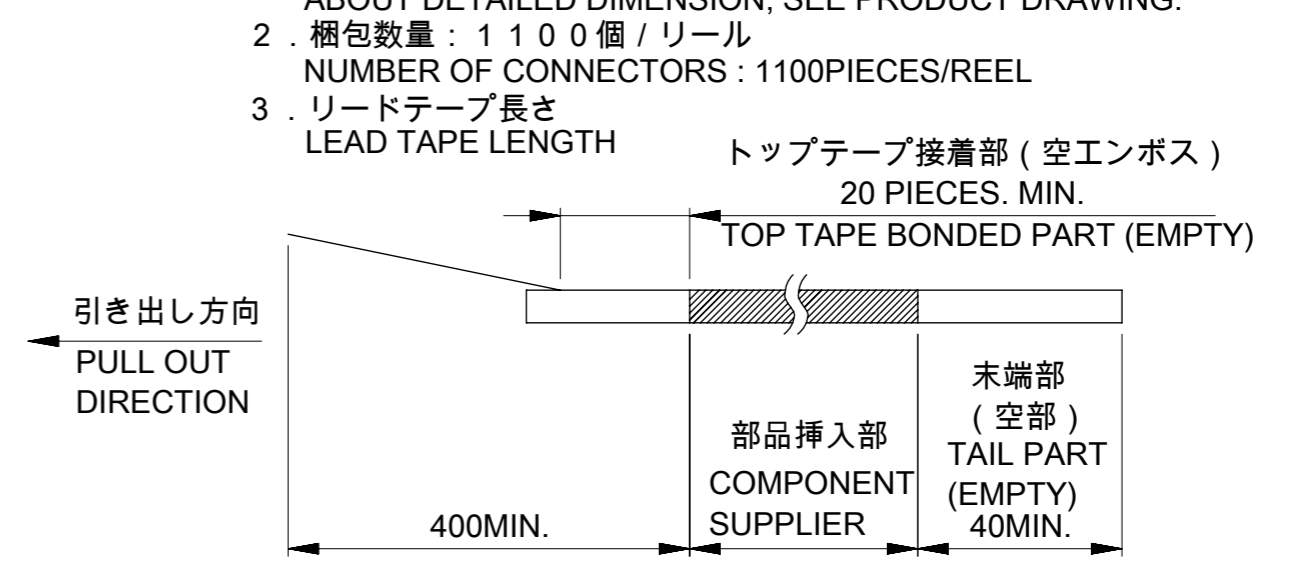
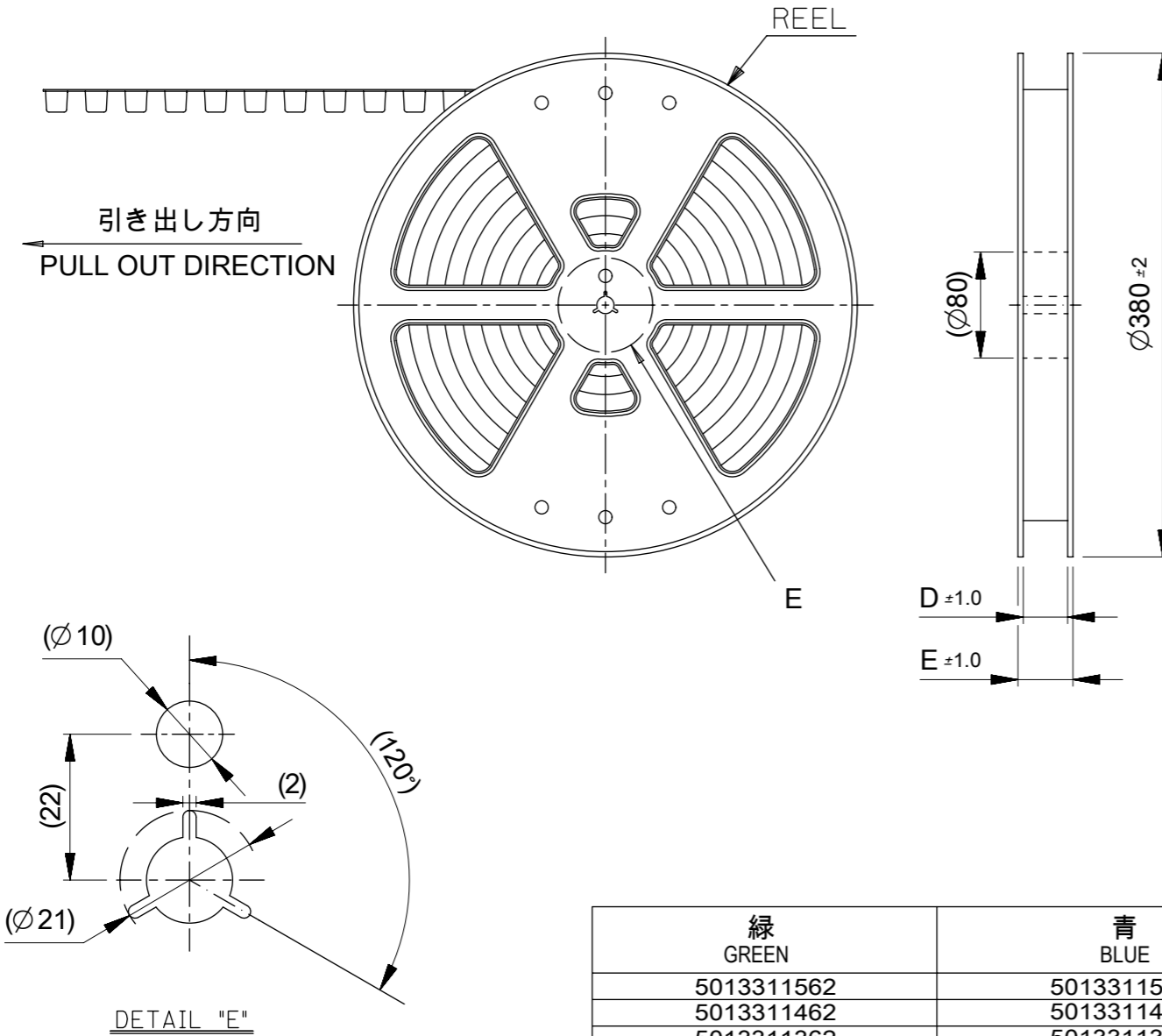


NOTES.

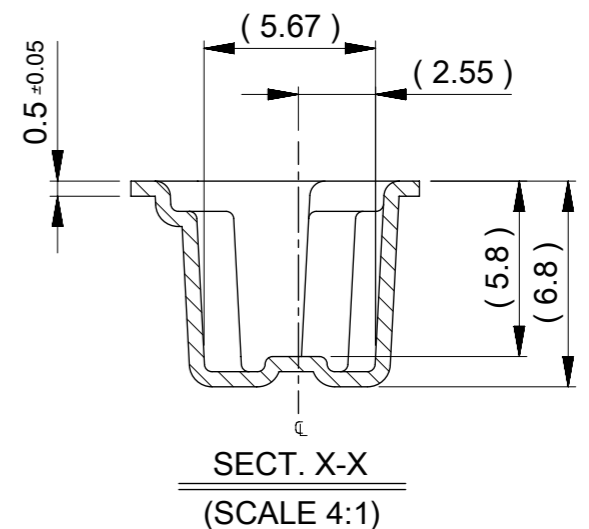
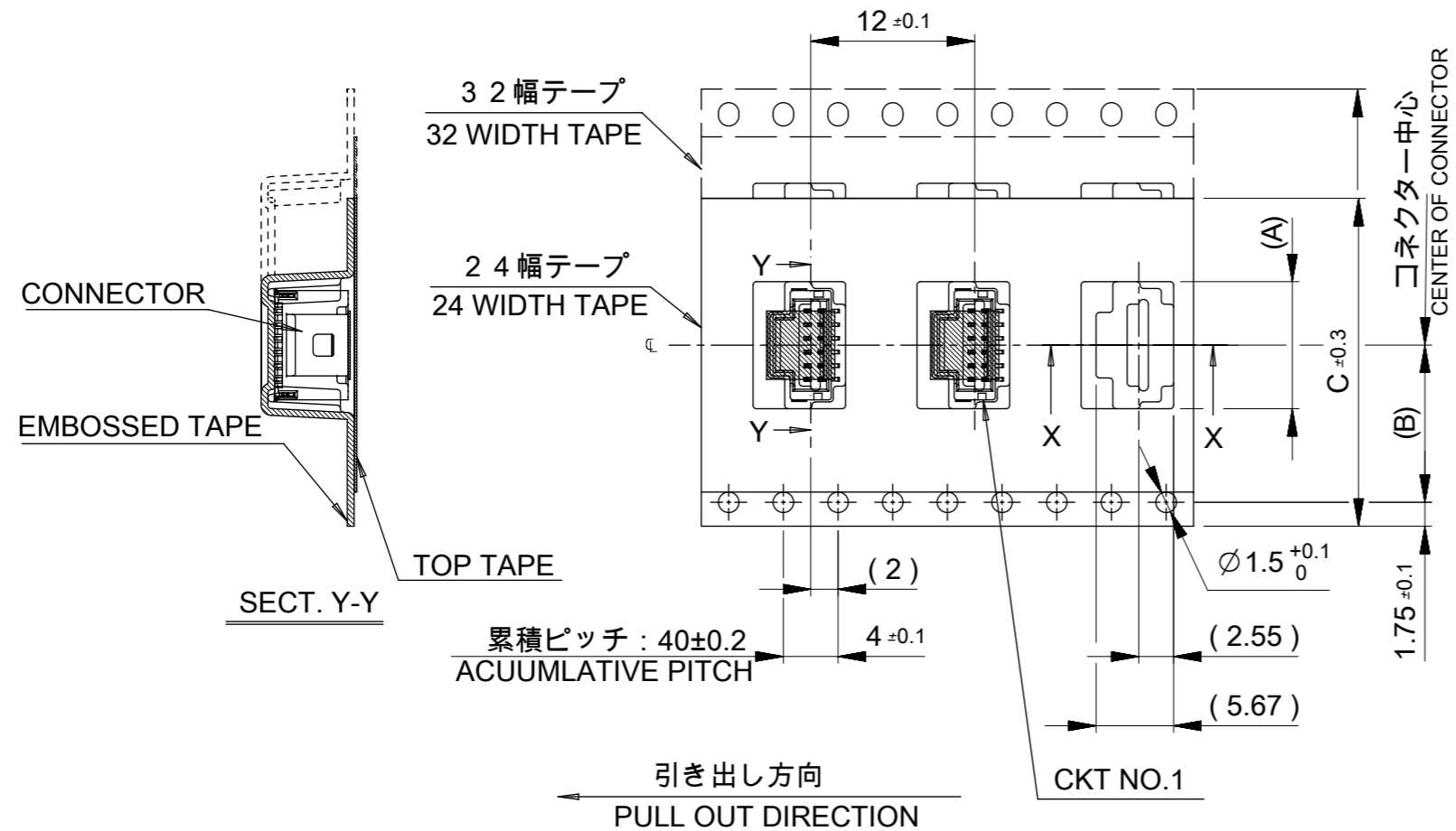
- 製品詳細寸法については製品単体図面を参照ください。
ABOUT DETAILED DIMENSION, SEE PRODUCT DRAWING.
- 梱包数量：1100個/リール
NUMBER OF CONNECTORS：1100PIECES/REEL
- リードテープ長さ
LEAD TAPE LENGTH
トップテープ接着部 (空エンボス)
20 PIECES. MIN.
TOP TAPE BONDED PART (EMPTY)
- 材料
MATERIAL
キャリアテープ：ポリプロピレン
CARRIER TAPE：POLYPROPYLENE
トップテープ：PET,PE,REF
TOP TAPE
リール：ポリスチレン (リサイクル材を含む)
REEL：POLYSTYLENE (RECYCLE MATERIAL CONTAINED)



緑 GREEN	青 BLUE	赤 RED	黒 BLACK	自然色 NATURAL	色 COLOR
5013311562	5013311542	5013311522	5013311512	5013311507	15
5013311462	5013311442	5013311422	5013311412	5013311407	14
5013311362	5013311342	5013311322	5013311312	5013311307	13
5013311262	5013311242	5013311222	5013311212	5013311207	12
5013311162	5013311142	5013311122	5013311112	5013311107	11
5013311062	5013311042	5013311022	5013311012	5013311007	10
5013310962	5013310942	5013310922	5013310912	5013310907	9
5013310862	5013310842	5013310822	5013310812	5013310807	8
5013310762	5013310742	5013310722	5013310712	5013310707	7
5013310662	5013310642	5013310622	5013310612	5013310607	6
EMBOSSED PACKAGE	EMBOSSED PACKAGE	EMBOSSED PACKAGE	EMBOSSED PACKAGE	EMBOSSED PACKAGE	極数 CIRCUTIS
△10 オーダー番号 ORDER NO.	△10 オーダー番号 ORDER NO.	△10 オーダー番号 ORDER NO.	△10 オーダー番号 ORDER NO.	△10 オーダー番号 ORDER NO.	

THIS DRAWING CONTAINS INFORMATION THAT IS PROPRIETARY TO MOLEX ELECTRONIC TECHNOLOGIES, LLC AND SHOULD NOT BE USED WITHOUT WRITTEN PERMISSION

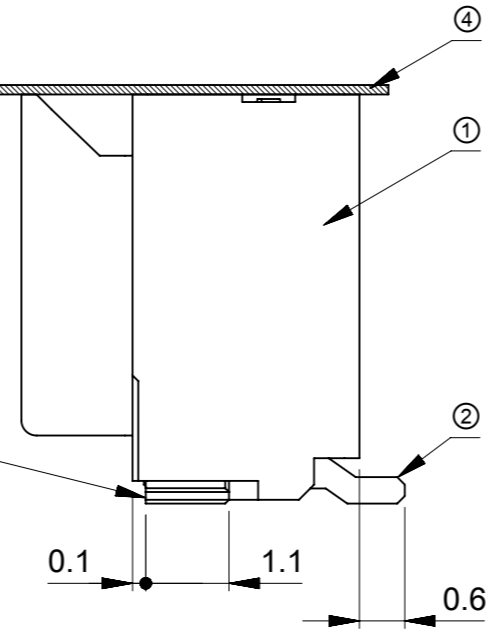
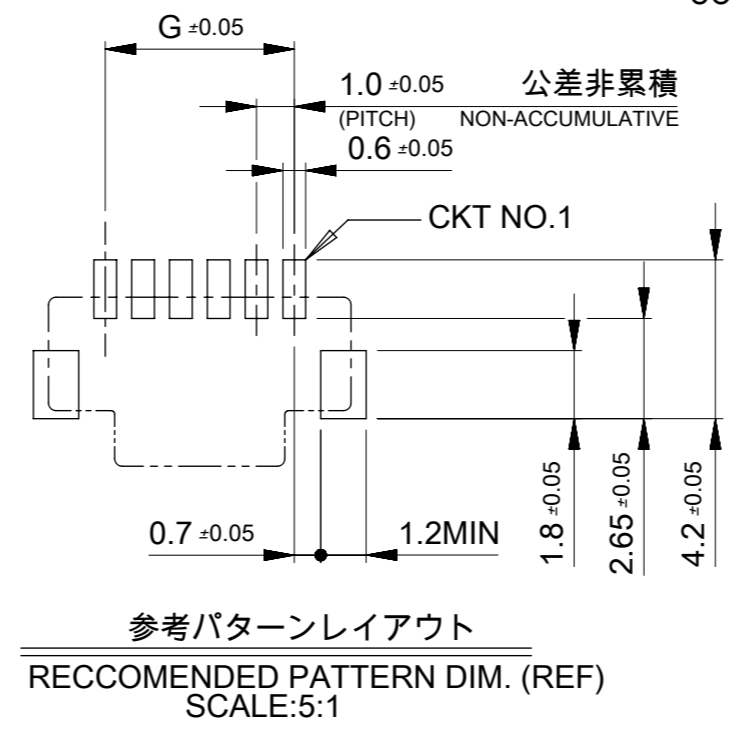
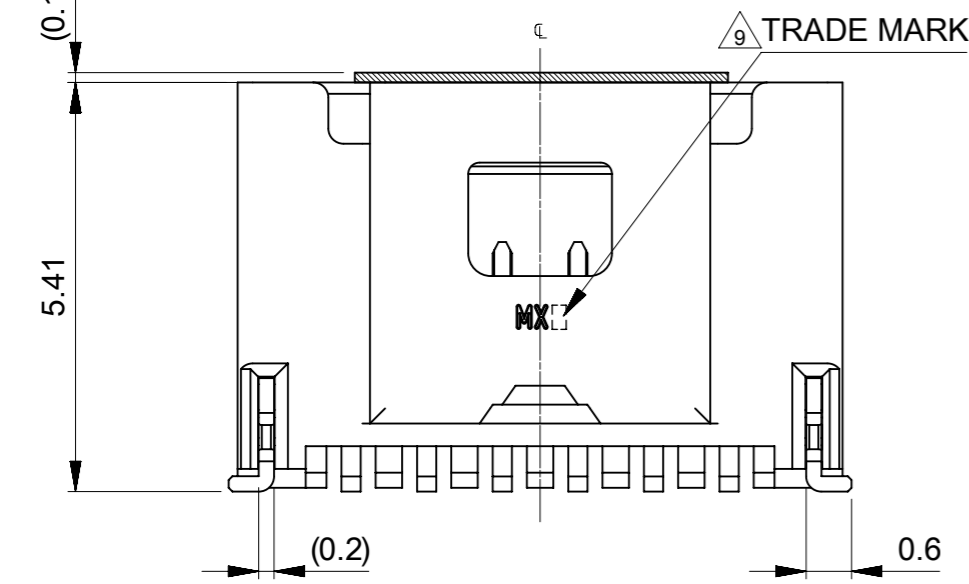
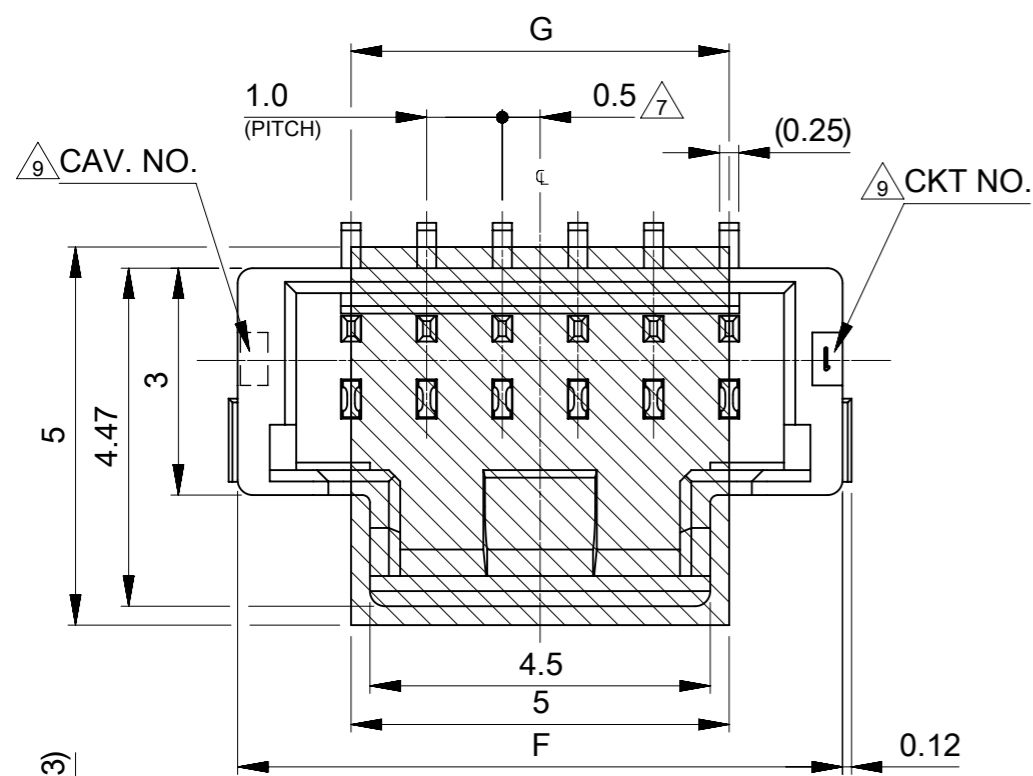
EC NO: 120301 DRWN: QHE31 CHK'D: SAKIYAMA APPR: TKANEKO	2017/08/03 2017/08/04 2017/08/04	GENERAL TOLERANCES (UNLESS SPECIFIED) ANGULAR TOL ± 3.0 ° 4 PLACES ± 0.2 3 PLACES ± 0.2 2 PLACES ± 0.2 1 PLACE ± 0.2 0 PLACES ± 0.2	DIMENSION UNITS: MM SCALE: 1:1 DRWN BY: QHE31 DATE: 2017/08/03 CHK'D BY: SAKIYAMA DATE: 2017/08/04 APPR BY: TKANEKO DATE: 2017/08/04	PICO-CLASP 1.0 W/B SINGLE-ROW ST EMBSTP PKG WAFER ASS'Y PRODUCT CUSTOMER DRAWING
	DRAFT WHERE APPLICABLE MUST REMAIN WITHIN DIMENSIONS	DRAWING SIZE: A3 THIRD ANGLE PROJECTION	SERIES: 501331 MATERIAL NUMBER: SEE TABLE OF SHEET 1 CUSTOMER:	
	A	REV:	DOCUMENT NUMBER: 5013310612-SD DOC TYPE: PSD DOC PART: 000 SHEET NUMBER: 1 OF 3	
	RELEASE STATUS: P1 RELEASE DATE: 04.08.2017 10:10:40			



37.4	33.4	32	14.2	18.3	15
				17.3	14
				16.3	13
29.4	25.4	24	11.5	15.3	12
				14.3	11
				13.3	10
				12.3	9
				11.3	8
				10.3	7
E	D	C	(B)	9.3	6
				(A)	極数 CIRCUITS

THIS DRAWING CONTAINS INFORMATION THAT IS PROPRIETARY TO MOLEX ELECTRONIC TECHNOLOGIES, LLC AND SHOULD NOT BE USED WITHOUT WRITTEN PERMISSION

EC NO: 120301 DRWN: QHE31 CHK'D: SAKIYAMA APPR: TKANEKO	2017/08/03 2017/08/04 2017/08/04	GENERAL TOLERANCES (UNLESS SPECIFIED) ANGULAR TOL ± 3.0 ° 4 PLACES ± 0.2 3 PLACES ± 0.2 2 PLACES ± 0.2 1 PLACE ± 0.2 0 PLACES ± 0.2	DIMENSION UNITS: MM SCALE: ≯≯					
	DRWN BY: QHE31 CHK'D BY: SAKIYAMA APPR BY: TKANEKO	DATE: 2017/08/03 DATE: 2017/08/04 DATE: 2017/08/04	PICO-CLASP 1.0 W/B SINGLE-ROW ST EMBSTP PKG WAFER ASS'Y					
	DRAFT WHERE APPLICABLE MUST REMAIN WITHIN DIMENSIONS			DRAWING SIZE: A3 THIRD ANGLE PROJECTION	PRODUCT CUSTOMER DRAWING			
	SERIES: 501331 MATERIAL NUMBER: SEE TABLE OF SHEET 1 CUSTOMER:		DOCUMENT NUMBER: 5013310612-SD DOC TYPE: PSD DOC PART: 000 SHEET NUMBER: 2 OF 3					
	RELEASED		A		A			



CONFIDENTIAL

番号 NO.	部品 PART	材質 MATERIAL
①	ウエハー WAFER	△10 耐熱ナイロン樹脂, 色: 表参照 HEAT RESISTANCE NYLON, COLOR: SEE TABLE UL94V-0
②	ソルダーピン SOLDER PIN	りん青銅 PHOSPHOR BRONZE 錫メッキ: 1.0µm M I N . TIN ニッケルメッキ (下地): 1.0µm M I N . NICKEL (UNDER PLATING)
③	ネイル NAIL	りん青銅 PHOSPHOR BRONZE 錫メッキ: 1.0µm M I N . TIN ニッケルメッキ (下地): 1.0µm M I N . NICKEL (UNDER PLATING)
④	カバーテープ COVER TAPE	ポリイミドテープ POLYIMIDE TAPE

参考パターンレイアウト
RECOMMENDED PATTERN DIM. (REF)
SCALE: 5:1

△10 オーダー番号 ORDER NO.

501331 * * * *
極数 CIRCUIT SIZE 色 COLOR

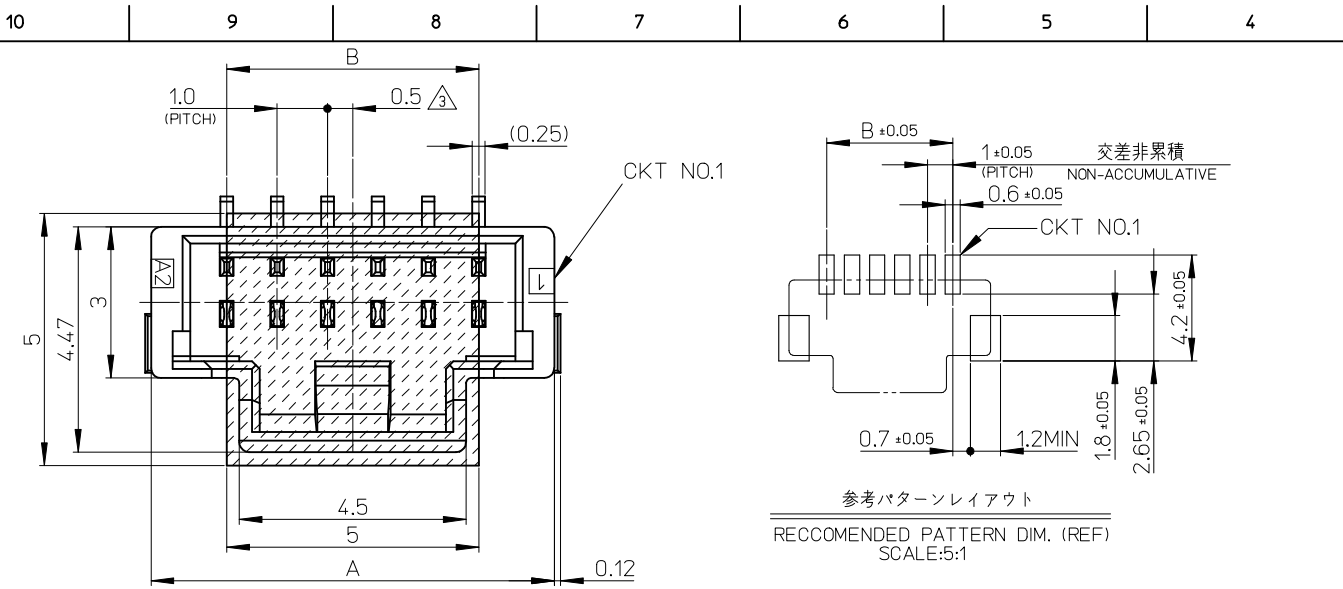
HSG COLOR	No.
自然色 NATURAL	07
黒 BLACK	12
赤 RED	22
青 BLUE	42
緑 GREEN	62

14.0	17.0	15
13.0	16.0	14
12.0	15.0	13
11.0	14.0	12
10.0	13.0	11
9.0	12.0	10
8.0	11.0	9
7.0	10.0	8
6.0	9.0	7
5.0	8.0	6
G	F	極数 CKT.

- NOTES.
5. 嵌合相手 : 501330****
MATE WITH : 501330****
 6. ソルダーピン及びネイル平坦度は, 0.1MAX .
SOLDER PIN AND NAIL COPLANARITY TO BE 0.1MAX.
 - △7 極数 = 偶数に適用
APPLY FOR CKT SIZE=EVEN
 8. 2 ~ 5 極は, 5013310400-SD を参照下さい。
REFER TO 5013310400-SD ABOUT 2-5CKT.
 - △9 トレードマーク : MXプラス1文字の製造工場を示すアルファベットにて構成
但し, "J"はJAPANを示す。
キャビティー番号 : 1桁から2桁の数字で表示
金型番号 : アルファベット1文字にて構成。
FORMED BY MX AND 1 MORE LETTER OF ALPHABET WHICH MEAN THE MANUFACTORY, BUT "J" MEANS JAPAN. (TO TRADE MARK)
AND BY I DIGIT NUMBER (TO CAVITY NO.)
AND BY I LETTER OF ALPHABET (TO MOLD NO.)

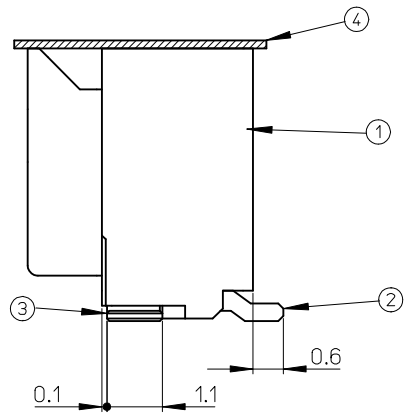
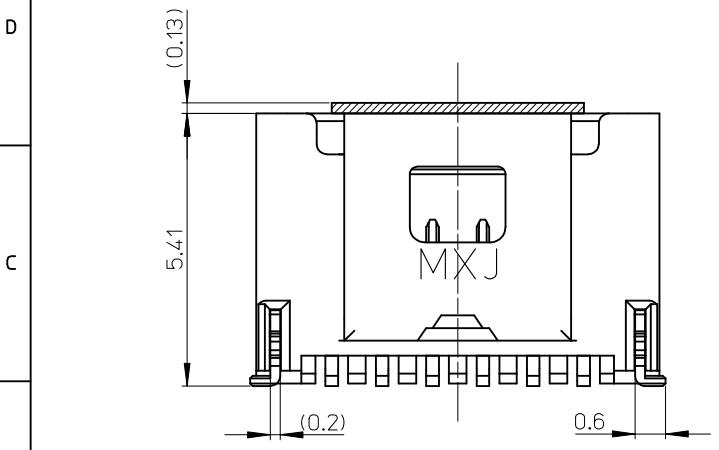
THIS DRAWING CONTAINS INFORMATION THAT IS PROPRIETARY TO MOLEX ELECTRONIC TECHNOLOGIES, LLC AND SHOULD NOT BE USED WITHOUT WRITTEN PERMISSION

EC NO: 120301 DRWN: QHE31 CHK'D: SAKIYAMA APPR: TKANEKO	2017/08/03 2017/08/04 2017/08/04	GENERAL TOLERANCES (UNLESS SPECIFIED) ANGULAR TOL ± 3.0 °	DIMENSION UNITS: MM SCALE: 10:1		
	4 PLACES ± 0.2 3 PLACES ± 0.2 2 PLACES ± 0.2 1 PLACE ± 0.2 0 PLACES ± 0.2	DRWN BY: QHE31 DATE: 2017/08/03	DRWN BY: SAKIYAMA DATE: 2017/08/04		PICO-CLASP 1.0 W/B SINGLE-ROW ST EMBSTP PKG WAFER ASS'Y
	DRAFT WHERE APPLICABLE MUST REMAIN WITHIN DIMENSIONS	APPR BY: TKANEKO DATE: 2017/08/04	APPR BY: TKANEKO DATE: 2017/08/04		PRODUCT CUSTOMER DRAWING
	A3	DRAWING SIZE: A3 THIRD ANGLE PROJECTION	DRAWING SIZE: A3 THIRD ANGLE PROJECTION		SERIES: 501331 MATERIAL NUMBER: SEE TABLE OF SHEET 1 CUSTOMER:
RELEASE STATUS: P1 RELEASE DATE: 04.08.2017 10:10:40	DOCUMENT NUMBER: 5013310612-SD DOC TYPE: PSD DOC PART: 000 SHEET NUMBER: 3 OF 3			A	



参考パターンレイアウト
RECOMMENDED PATTERN DIM. (REF)
SCALE:5:1

番号 NO.	部品 PART	材質 MATERIAL
①	ウエハー WAFER	耐熱ナイロン樹脂 UL94V-0 色:表参照 HEAT RESISTANCE NYLON UL94V-0, COLOR:SEE TABLE
②	ソルダーピン SOLDER PIN	りん青銅 PHOSPHOR BRONZE 錫メッキ: 1.0µmMIN. TIN ニッケルメッキ(下地): 1.0µmMIN. NICKEL(UNDER PLATING)
③	ネイル NAIL	りん青銅 PHOSPHOR BRONZE 錫メッキ: 1.0µmMIN. TIN ニッケルメッキ(下地): 1.0µmMIN. NICKEL(UNDER PLATING)
④	カバーテープ COVER TAPE	ポリイミドテープ POLYIMIDE TAPE



※対応可能な極数は、別途お問い合わせ下さい。

14.0	17.0	501331-1507	15	501331-***07
13.0	16.0	501331-1407	14	
12.0	15.0	501331-1307	13	
11.0	14.0	501331-1207	12	
10.0	13.0	501331-1107	11	
9.0	12.0	501331-1007	10	
8.0	11.0	501331-0907	9	
7.0	10.0	501331-0807	8	
6.0	9.0	501331-0707	7	
5.0	8.0	501331-0607	6	
B	A	MATERIAL NO.	CKT.	MODEL NO.

- NOTES.
1. 嵌合相手: 501330-****
MATE WITH: 501330-****
 2. ソルダーピン及びネイル平坦度は、0.1MAX.
SOLDER PIN AND NAIL COPLANARITY TO BE 0.1MAX.
 3. 極数=偶数に適用
APPLY FOR CKT SIZE=EVEN
 4. 2~5極は、SD-501331-001を参照下さい。
REFER TO SD-501331-001 ABOUT 2-5CKT.
 5. ELV及びRoHS適合品。
ELV AND RoHS COMPLIANT.

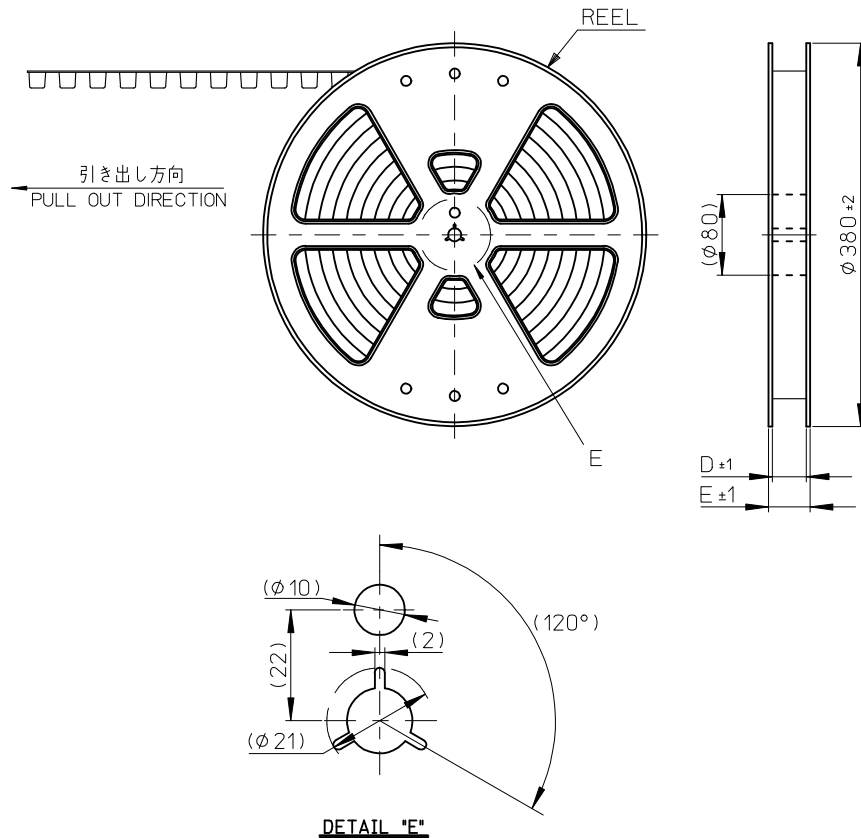
REVISED EC NO: J2014-1509 DRWN:TYAJIMA01 2014/04/04 CHKD:KASAKAWA 2014/04/07 APPR:NIKIITA 2014/04/07	DESCRIPTION REV	GENERAL TOLERANCES (UNLESS SPECIFIED)		DIMENSION STYLE MM ONLY		SCALE 10:1	DESIGN UNITS METRIC	THIRD ANGLE PROJECTION		
		10 UNDER	±0.2	DRAWN BY NYOSHIDA	DATE 2004/07/30	TITLE 1.0 WIRE TO BOARD CONN. WAFER ASS'Y (1-ROW S/T) 6-15CKT				
		10 OVER 30 UNDER	±0.25	CHECKED BY MYAGI	DATE 2004/07/30					
		30 OVER	±0.3	APPROVED BY MIYAZAWA	DATE 2004/07/30					
ANGULAR ±3 °		DRAFT WHERE APPLICABLE MUST REMAIN WITHIN DIMENSIONS		SEE TABLE		SD-501331-002		1 OF 2		
THIS DRAWING CONTAINS INFORMATION THAT IS PROPRIETARY TO MOLEX INCORPORATED AND SHOULD NOT BE USED WITHOUT WRITTEN PERMISSION										

紫 PA46 VIOLET	橙 PA46 ORANGE	茶 PA46 BROWN	緑 PA46 GREEN	色 COLOR
501331-1597	501331-1587	501331-1577	501331-1567	15
501331-1497	501331-1487	501331-1477	501331-1467	14
501331-1397	501331-1387	501331-1377	501331-1367	13
501331-1297	501331-1287	501331-1277	501331-1267	12
501331-1197	501331-1187	501331-1177	501331-1167	11
501331-1097	501331-1087	501331-1077	501331-1067	10
501331-0997	501331-0987	501331-0977	501331-0967	9
501331-0897	501331-0887	501331-0877	501331-0867	8
501331-0797	501331-0787	501331-0777	501331-0767	7
501331-0697	501331-0687	501331-0677	501331-0667	6
EMBOSSSED PACKAGE オーダー番号 ORDER NO.	EMBOSSSED PACKAGE オーダー番号 ORDER NO.	EMBOSSSED PACKAGE オーダー番号 ORDER NO.	EMBOSSSED PACKAGE オーダー番号 ORDER NO.	極数 CIRCUITS

青 PA46 BLUE	黄 PA46 YELLOW	赤 PA46 RED	黒 PA46 BLACK	自然色 PA6T NATURAL	色 COLOR
501331-1547	501331-1537	501331-1527		501331-1507	15
501331-1447	501331-1437	501331-1427		501331-1407	14
501331-1347	501331-1337	501331-1327		501331-1307	13
501331-1247	501331-1237	501331-1227		501331-1207	12
501331-1147	501331-1137	501331-1127		501331-1107	11
501331-1047	501331-1037	501331-1027		501331-1007	10
501331-0947	501331-0937	501331-0927	501331-0917	501331-0907	9
501331-0847	501331-0837	501331-0827	501331-0817	501331-0807	8
501331-0747	501331-0737	501331-0727		501331-0707	7
501331-0647	501331-0637	501331-0627	501331-0617	501331-0607	6
EMBOSSSED PACKAGE オーダー番号 ORDER NO.	EMBOSSSED PACKAGE オーダー番号 ORDER NO.	EMBOSSSED PACKAGE オーダー番号 ORDER NO.	EMBOSSSED PACKAGE オーダー番号 ORDER NO.	EMBOSSSED PACKAGE オーダー番号 ORDER NO.	極数 CIRCUITS

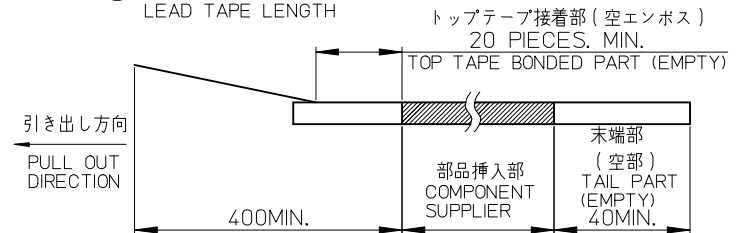
REVISED EC NO: J2014-1509 DRWN: YAJI MA01 CHKD: KASAKAWA APPR: NUKITA	2014/04/04 2014/04/07 2014/04/07	DESCRIPTION REV	GENERAL TOLERANCES (UNLESS SPECIFIED)		DIMENSION STYLE MM ONLY		SCALE ---	DESIGN UNITS METRIC	THIRD ANGLE PROJECTION	
			10 UNDER	±0.2	DRAWN BY NYOSHIDA	DATE 2004/07/30	TITLE 1.0 WIRE TO BOARD CONN. WAFER ASS'Y (1-ROW S/T) 6-15CKT			
			10 OVER 30 UNDER	±0.25	CHECKED BY MYAGI	DATE 2004/07/30				
			30 OVER	±0.3	APPROVED BY MIYAZAWA	DATE 2004/07/30	MATERIAL NO.		DOCUMENT NO.	SHEET NO.
ANGULAR ±3 °		DRAFT WHERE APPLICABLE MUST REMAIN WITHIN DIMENSIONS		SEE TABLE		SD-501331-002		2 OF 2		





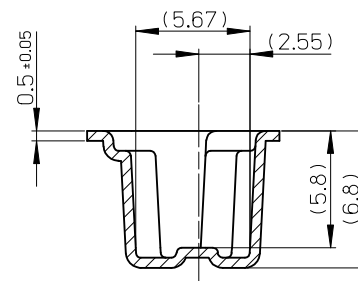
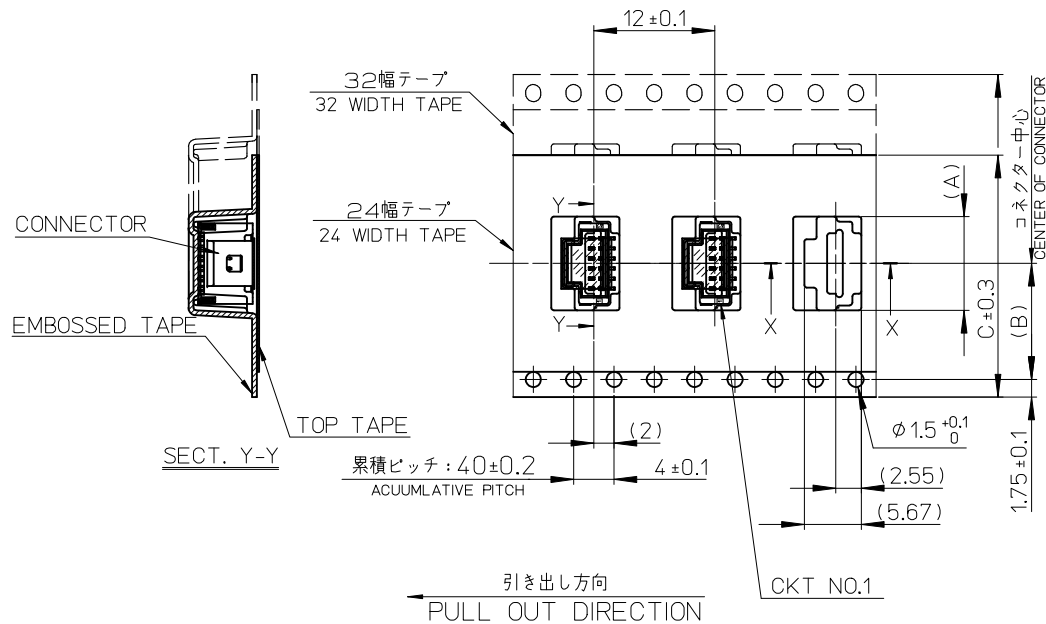
NOTES.

- 製品詳細寸法については製品単体図面を参照ください。
ABOUT DETAILED DIMENSION, SEE PRODUCT DRAWING.
- 梱包数量：1100個/リール
NUMBER OF CONNECTORS：1100PIECES/REEL
- リードテープ長さ
LEAD TAPE LENGTH



- 材料
MATERIAL
キャリアテープ：ポリプロピレン
CARRIER TAPE：POLYPROPYLENE
トップテープ：PET、PE、REF
TOP TAPE
リール：ポリスチレン (リサイクル材を含む)
REEL：POLYSTYLENE (RECYCLE MATERIAL CONTAINED)
- ELV 及び RoHS適合品
ELV AND RoHS COMPLIANT.
- ハイバリア梱包 (シリカゲル入り) 対応品である。(501331-**07除く)
THIS PRODUCT IS HIGH BARRIER PACKAGE.(WITH SILICAGEL)
(BESIDES 501331-**07)
- 開梱後の保管条件に注意のこと。(ハイバリア品対象：PS-501331-001参照)
REFER TO PS-501331-001(HIGH BARRIER PRODUCT)
FOR CONDITIONS AFTER OPEN.

REVISED EC NO: J2014-1509 DRWN:YAJI MA01 2014/04/04 CHKD:KASAKAWA 2014/04/07 APPR:NUKITA 2014/04/07	GENERAL TOLERANCES (UNLESS SPECIFIED)		DIMENSION STYLE MM ONLY		SCALE ---	DESIGN UNITS METRIC	THIRD ANGLE PROJECTION
	10 UNDER	±0.2	DRAWN BY NYOSHIDA	DATE 2005/01/18	TITLE 1.0 WIRE TO BOARD CONN. WAFER ASS'Y (1-ROW S/T) EMBSTP PKG molex MATERIAL NO. SEE SHEET 3 DOCUMENT NO. SD-501331-004 SHEET NO. 1 OF 3		
	10 OVER 30 UNDER	±0.25	CHECKED BY MYAGI	DATE 2005/01/18			
	30 OVER	±0.3	APPROVED BY ANODA	DATE 2005/01/18			
	ANGULAR	±1 °	MATERIAL NO.				
DRAFT WHERE APPLICABLE MUST REMAIN WITHIN DIMENSIONS		SEE SHEET 3					




SECT. X-X
(SCALE 4:1)

37.4	33.4	32	14.2	18.3	5013311507
				17.3	5013311407
				16.3	5013311307
29.4	25.4	24	11.5	15.3	5013311207
				14.3	5013311107
				13.3	5013311007
				12.3	5013310907
				11.3	5013310807
				10.3	5013310707
E	D	C	(B)	(A)	製品番号 MATERIAL NO.
				9.3	5013310607

REVISED EC NO: J2014-1509 DRWN: YAJI MA01 2014/04/04 CHKD: KASAKAWA 2014/04/07 APPR: NUKITA 2014/04/07	GENERAL TOLERANCES (UNLESS SPECIFIED)		DIMENSION STYLE MM ONLY		SCALE ---	DESIGN UNITS METRIC	THIRD ANGLE PROJECTION
	10 UNDER	±0.2	DRAWN BY NYOSHIDA	DATE 2005/01/18	TITLE 1.0 WIRE TO BOARD CONN. WAFER ASS'Y (1-ROW S/T) EMBSTP PKG molex DOCUMENT NO. SD-501331-004 SHEET NO. 2 OF 3		
	10 OVER 30 UNDER	±0.25	CHECKED BY MYAGI	DATE 2005/01/18			
	30 OVER	±0.3	APPROVED BY ANODA	DATE 2005/01/18			
	ANGULAR	±1 °	MATERIAL NO.	SEE SHEET 3			
DRAFT WHERE APPLICABLE MUST REMAIN WITHIN DIMENSIONS		SIZE A3	THIS DRAWING CONTAINS INFORMATION THAT IS PROPRIETARY TO MOLEX INCORPORATED AND SHOULD NOT BE USED WITHOUT WRITTEN PERMISSION				

紫 VIOLET	橙 ORANGE	茶 BROWN	緑 GREEN	色 COLOR
501331-1597	501331-1587	501331-1577	501331-1567	15
501331-1497	501331-1487	501331-1477	501331-1467	14
501331-1397	501331-1387	501331-1377	501331-1367	13
501331-1297	501331-1287	501331-1277	501331-1267	12
501331-1197	501331-1187	501331-1177	501331-1167	11
501331-1097	501331-1087	501331-1077	501331-1067	10
501331-0997	501331-0987	501331-0977	501331-0967	9
501331-0897	501331-0887	501331-0877	501331-0867	8
501331-0797	501331-0787	501331-0777	501331-0767	7
501331-0697	501331-0687	501331-0677	501331-0667	6
EMBOSSSED PACKAGE オーダー番号 ORDER NO.	EMBOSSSED PACKAGE オーダー番号 ORDER NO.	EMBOSSSED PACKAGE オーダー番号 ORDER NO.	EMBOSSSED PACKAGE オーダー番号 ORDER NO.	極数 CIRCUITS

青 BLUE	黄 YELLOW	赤 RED	黒 BLACK	自然色 NATURAL	色 COLOR
501331-1547	501331-1537	501331-1527		501331-1507	15
501331-1447	501331-1437	501331-1427		501331-1407	14
501331-1347	501331-1337	501331-1327		501331-1307	13
501331-1247	501331-1237	501331-1227		501331-1207	12
501331-1147	501331-1137	501331-1127		501331-1107	11
501331-1047	501331-1037	501331-1027		501331-1007	10
501331-0947	501331-0937	501331-0927	501331-0917	501331-0907	9
501331-0847	501331-0837	501331-0827	501331-0817	501331-0807	8
501331-0747	501331-0737	501331-0727		501331-0707	7
501331-0647	501331-0637	501331-0627	501331-0617	501331-0607	6
EMBOSSSED PACKAGE オーダー番号 ORDER NO.	EMBOSSSED PACKAGE オーダー番号 ORDER NO.	EMBOSSSED PACKAGE オーダー番号 ORDER NO.	EMBOSSSED PACKAGE オーダー番号 ORDER NO.	EMBOSSSED PACKAGE オーダー番号 ORDER NO.	極数 CIRCUITS

REVISED EC NO: J2014-1509 DRWN: YAJI MAO1 2014/04/04 CHKD: KASAKAWA 2014/04/07 APPR: NUKITA 2014/04/07	DESCRIPTION	GENERAL TOLERANCES (UNLESS SPECIFIED)		DIMENSION STYLE MM ONLY		SCALE ---	DESIGN UNITS METRIC	THIRD ANGLE PROJECTION		
		10 UNDER	±0.2	DRAWN BY NYOSHIDA	DATE 2005/01/18	TITLE 1.0 WIRE TO BOARD CONN. WAFER ASS'Y (1-ROW S/T) EMBSTP PKG				
		10 OVER 30 UNDER	±0.25	CHECKED BY MYAGI	DATE 2005/01/18					
		30 OVER	±0.3	APPROVED BY ANODA	DATE 2005/01/18					
ANGULAR ±1 °		DRAFT WHERE APPLICABLE MUST REMAIN WITHIN DIMENSIONS		MATERIAL NO. SEE TABLE		DOCUMENT NO. SD-501331-004		SHEET NO. 3 OF 3		
SIZE A3 THIS DRAWING CONTAINS INFORMATION THAT IS PROPRIETARY TO MOLEX INCORPORATED AND SHOULD NOT BE USED WITHOUT WRITTEN PERMISSION										