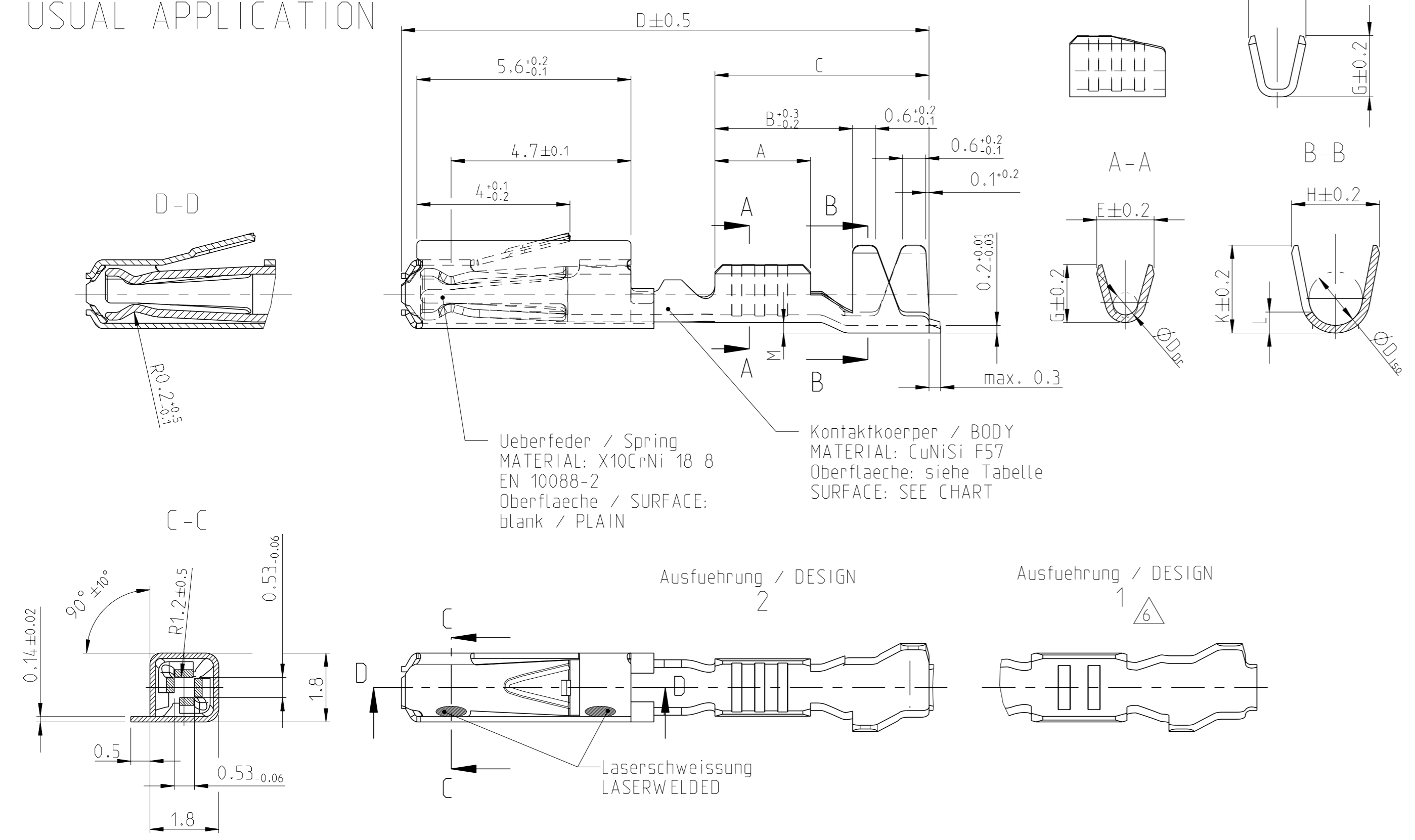
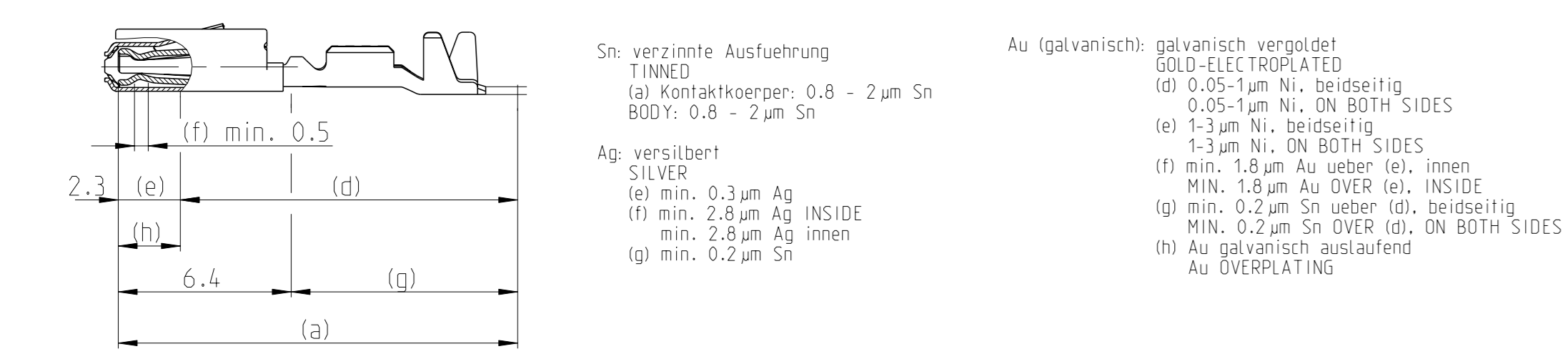


Normale Anwendung USUAL APPLICATION

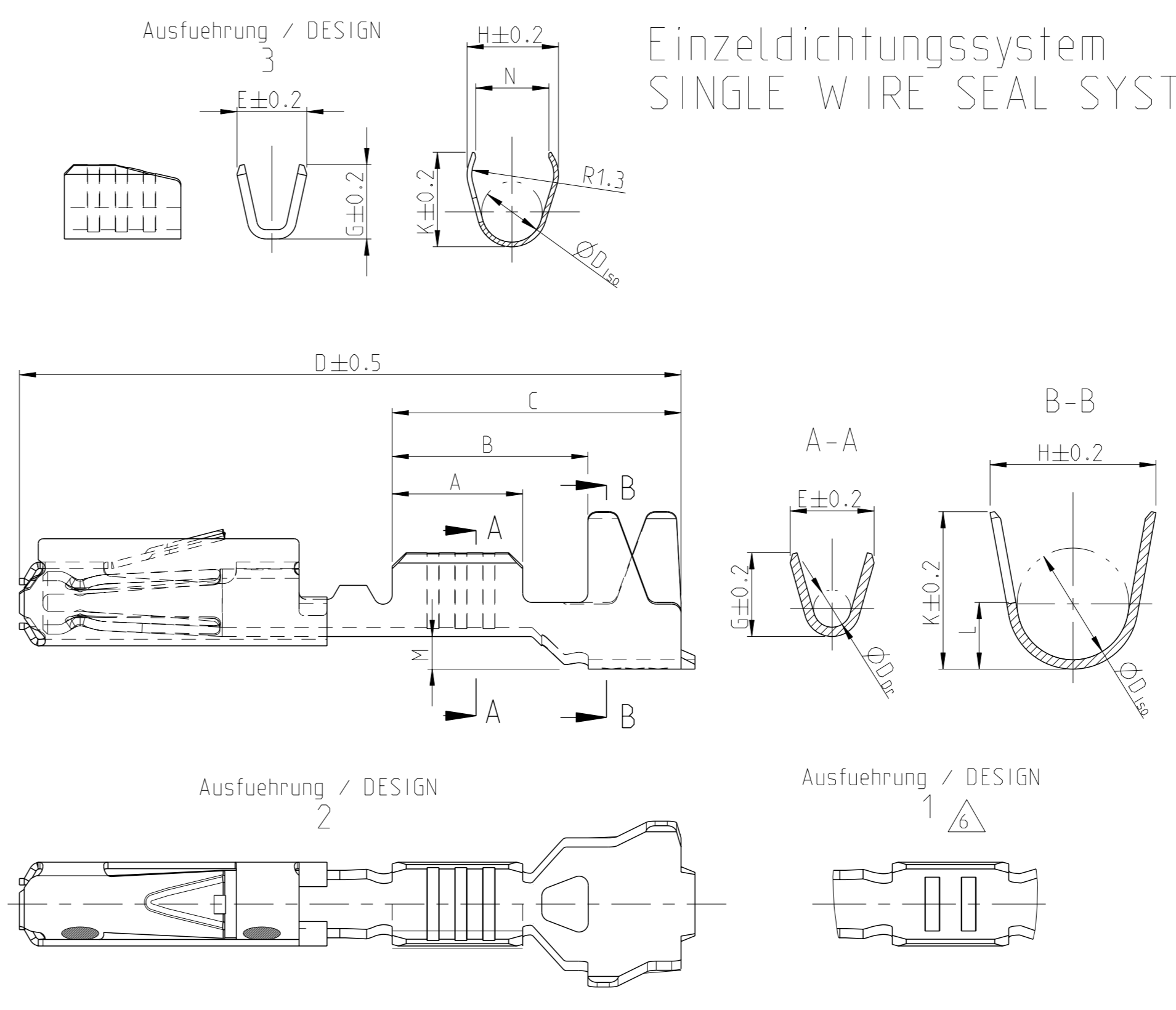


Oberflaeche / FINISH

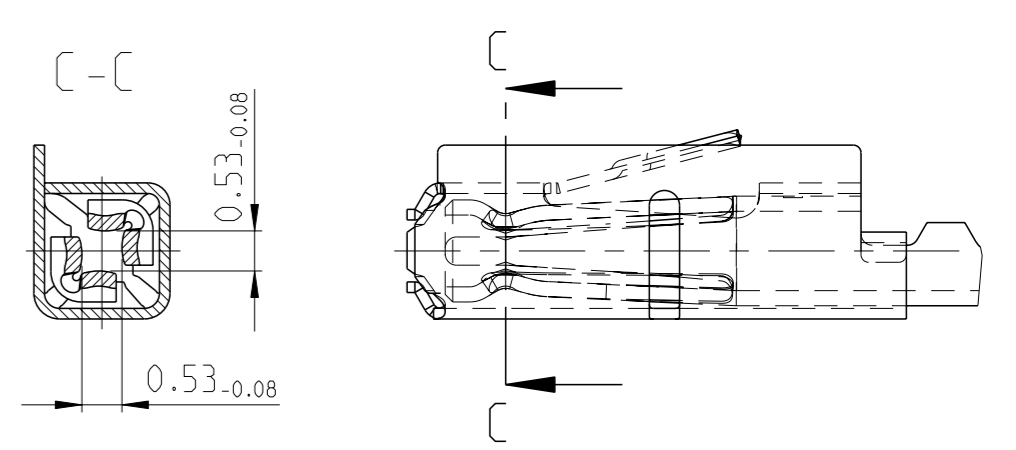


Bestell-Nr. Ausführung ORDER NO. DESIGN	Bestell-Nr. Ausführung ORDER NO. DESIGN	Rev	Bestell-Nr. Ausführung ORDER NO. DESIGN	Rev	VERSION	DGB Wire Size Range mm ²	Oberflaeche SURFACE	Laenge LENGTH mm	Drahtcrimp WIRE CRIMP mm	Iso-crimp INSU-CRIMP mm	Gewicht WEIGHT g	Verarbeitung Spez. APPLICATION SPEC.	DGB Wire Size Range mm ²	Isolations Ø INSULATION DIA. mm	fuer Kammer Ø3.45 FOR CAVITY DIA. 3.45 mm	Blindstopfen RUBBER PLUG	fuer Kammer Ø4 FOR CAVITY DIA. 4 mm	Blindstopfen RUBBER PLUG								
6-965906-5	1-965906-5	E	6-965906-5	D	Einzeldichtungssystem SINGLE WIRE SEAL SYSTEM	0.50-0.75	Au+Gel	A = 2.8	F = 2	H = 3.5	0.13	114-18025	0.75	1.4-1.9	967067-1	gruen GREEN	963142-1	schwarz BLACK								
5-965906-6	965906-6	D	B = 4.2	G = 2.1				K = 3.4	967056-1 blau / BLUE	963142-2									967056-1 blau / BLUE							
5-965906-5	965906-5	D	C = 6.2	L = 1.5				967067-2												gelb YELLOW	963142-2	967056-1 blau / BLUE				
5-965906-1	965906-1	C	D = 14.3	M = 0.7																			967067-2	gelb YELLOW	963142-2	967056-1 blau / BLUE
5-962885-6	962885-6	H	M = 0.7	967067-2																						
5-962885-5	962885-5	J	A = 2.5		F = 1.8	H = 3.5	normale Anwendung USUAL APPLICATION	0.25-0.35	Au+Gel	114-18021	0.35	0.9-1.4	967067-2	blau / BLUE	963142-2	967056-1 blau / BLUE										
5-962885-1	962885-1	H	B = 3.9	G = 1.8	K = 3.4																					
2141826-6	A	A	C = 5.9	L = 1.5	967067-2	gelb YELLOW											963142-2	967056-1 blau / BLUE								
2141826-5	A	A	D = 14	M = 0.7															967067-2	gelb YELLOW	963142-2	967056-1 blau / BLUE				
2141826-1	A	A	M = 0.6	967067-2																			gelb YELLOW	963142-2	967056-1 blau / BLUE	
6-963715-5	1-963715-5	K	6-963715-5		J	normale Anwendung USUAL APPLICATION	0.13 / 0.17	Au	A = 2.5	F = 1.5	H = 4	0.1	114-18021	0.13	0.85-1.25	967067-2	gelb YELLOW	963142-2	967056-1 blau / BLUE							
5-963715-6	963715-6	H	B = 4.3	G = 1.4	K = 4.1																					
5-963715-5	963715-5	J	C = 6.2	L = 1.5	967067-2				gelb YELLOW	963142-2	967056-1 blau / BLUE															
5-963715-1	963715-1	H	D = 13.7	M = 0.6																967067-2	gelb YELLOW	963142-2	967056-1 blau / BLUE			
6-928999-5	1-928999-5	S	M = 0.6	967067-2																				gelb YELLOW	963142-2	967056-1 blau / BLUE
5-928999-6	928999-6	R	A = 2.5		F = 1.5	H = 2	normale Anwendung USUAL APPLICATION	0.25-0.35	Au+Gel	114-18021	0.25	0.25-0.35	967067-2	blau / BLUE	963142-2	967056-1 blau / BLUE										
5-928999-5	928999-5	S	B = 3.6	G = 1.8	K = 2.3																					
5-928999-5	928999-5	S	C = 5.6	L = 1.5	967067-2	gelb YELLOW											963142-2	967056-1 blau / BLUE								
5-928999-1	928999-1	R	D = 13.7	M = 0.2															967067-2	gelb YELLOW	963142-2	967056-1 blau / BLUE				
2141824-6	A	A	M = 0.2	967067-2																			gelb YELLOW	963142-2	967056-1 blau / BLUE	
2141824-5	A	A	A = 2.5		F = 1.5	H = 2	normale Anwendung USUAL APPLICATION	0.13 / 0.17	Au	114-18021	0.13	0.85-1.25	967067-2	gelb YELLOW	963142-2	967056-1 blau / BLUE										
2141824-1	A	A	B = 3.7	G = 1.4	K = 1.9																					
1355717-5	C	C	C = 5.4	L = 1.5	967067-2	gelb YELLOW											963142-2	967056-1 blau / BLUE								
1355717-1	C	C	D = 13.7	M = 0															967067-2	gelb YELLOW	963142-2	967056-1 blau / BLUE				
1355717-1	C	C	M = 0	967067-2																			gelb YELLOW	963142-2	967056-1 blau / BLUE	
6-963715-5	1-963715-5	K	6-963715-5		J	normale Anwendung USUAL APPLICATION	0.50-0.75	Au+Gel	A = 2.8	F = 2	H = 2.7	0.11	114-18021	0.5	1.4-1.9	967067-1	gruen GREEN	963142-1	schwarz BLACK							
5-963715-6	963715-6	H	B = 3.8	G = 2.1	K = 2.9																					
5-963715-5	963715-5	J	C = 5.6	L = 1.5	967067-2				gelb YELLOW	963142-2	967056-1 blau / BLUE															
5-963715-1	963715-1	H	D = 13.7	M = 0.2																967067-2	gelb YELLOW	963142-2	967056-1 blau / BLUE			
6-928999-5	1-928999-5	S	M = 0.2	967067-2																				gelb YELLOW	963142-2	967056-1 blau / BLUE
5-928999-6	928999-6	R	A = 2.5		F = 1.8	H = 2.3	normale Anwendung USUAL APPLICATION	0.25-0.35	Au+Gel	114-18021	0.25	0.25-0.35	967067-2	blau / BLUE	963142-2	967056-1 blau / BLUE										
5-928999-5	928999-5	S	B = 3.6	G = 1.8	K = 2.3																					
5-928999-5	928999-5	S	C = 5.6	L = 1.5	967067-2	gelb YELLOW											963142-2	967056-1 blau / BLUE								
5-928999-1	928999-1	R	D = 13.7	M = 0.2															967067-2	gelb YELLOW	963142-2	967056-1 blau / BLUE				
2141824-6	A	A	M = 0.2	967067-2																			gelb YELLOW	963142-2	967056-1 blau / BLUE	
2141824-5	A	A	A = 2.5		F = 1.5	H = 2	normale Anwendung USUAL APPLICATION	0.13 / 0.17	Au	114-18021	0.13	0.85-1.25	967067-2	gelb YELLOW	963142-2	967056-1 blau / BLUE										
2141824-1	A	A	B = 3.7	G = 1.4	K = 1.9																					
1355717-5	C	C	C = 5.4	L = 1.5	967067-2	gelb YELLOW											963142-2	967056-1 blau / BLUE								
1355717-1	C	C	D = 13.7	M = 0															967067-2	gelb YELLOW	963142-2	967056-1 blau / BLUE				
1355717-1	C	C	M = 0	967067-2																			gelb YELLOW	963142-2	967056-1 blau / BLUE	

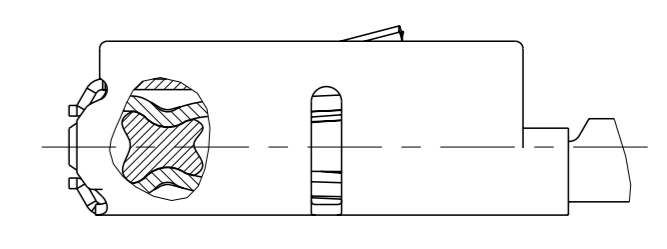
Einzeldichtungssystem SINGLE WIRE SEAL SYSTEM



vergoldete Ausfuehrung GOLD VERSION

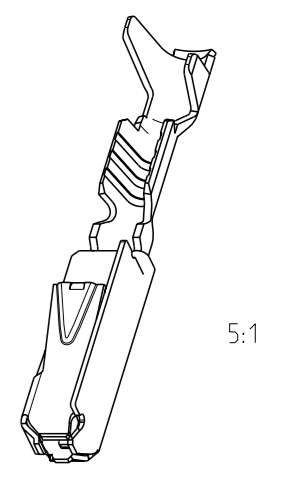
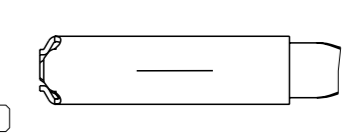
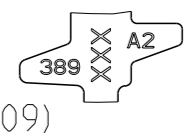


GEL VERSION



Bemerkungen

- Datumscode (Woche/Jahr z.B. KW 38/Jahr2009) und TE-Revision (z.B. Rev.A) DATE CODE (WEEK/YEAR E.G. WEEK NUMBER 38/YEAR2009) AND TE REVISION (E.G. REV. A)
- Passend zu Stiftkontakt siehe Zeichnung 929453 SUITABLE FOR PIN CONTACT SEE DRAWING 929453
- Einzelheiten der Ausfuehrung bleiben dem Hersteller ueberlassen DETAILS OF DESIGN ARE LEFT TO MANUFACTURER
- Nur fuer FLR-Leitung nach DIN 72551 Teil 6 FOR FLR-CONDUCTOR ACCORDING TO DIN 72551-6 ONLY



THIS DRAWING IS A CONTROLLED DOCUMENT.		OWN S.Garcia 05JAN1999	TE Connectivity	
DIMENSIONS: mm		CHK R.Jetter 05JAN1999	NAME	
TOLERANCES UNLESS OTHERWISE SPECIFIED:		APPV M.Bleicher 13AUG2003	MOS	
1-PLC ±0.2		108-18030		
2-PLC ±0.2		114-18021 / 114-18025		
3-PLC ±0.2		114-18021 / 114-18025		
4-PLC ±0.2		114-18021 / 114-18025		
ANGLES ±1°		114-18021 / 114-18025		
MATERIAL		114-18021 / 114-18025		
FINISH		114-18021 / 114-18025		
WEIGHT		114-18021 / 114-18025		
CUSTOMER DRAWING		114-18021 / 114-18025		
SCALE 10:1		SHEET 1 OF 1		
REV C 18		REV C 18		

zugehoerige Einzeldichtung / SUITABLE SINGLE WIRE SEAL

Mouser Electronics

Authorized Distributor

Click to View Pricing, Inventory, Delivery & Lifecycle Information:

[TE Connectivity:](#)

[5-963715-1](#)