

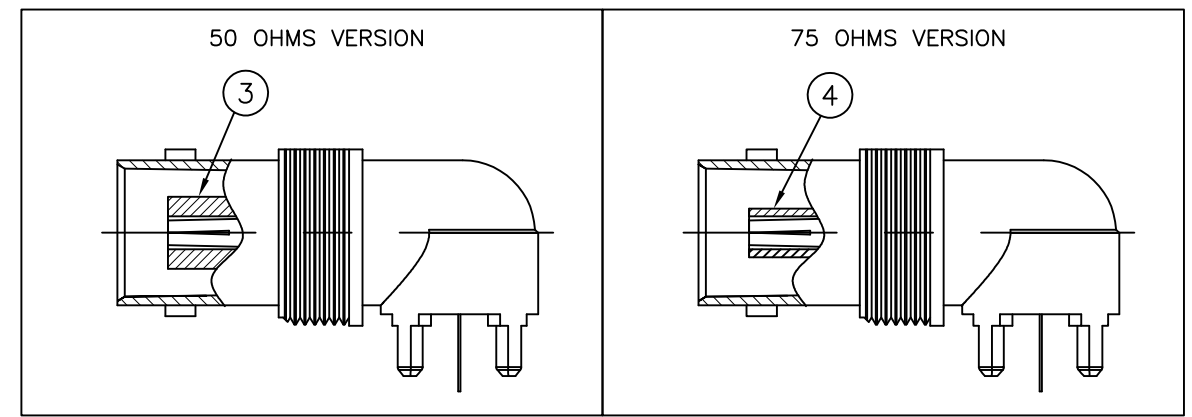
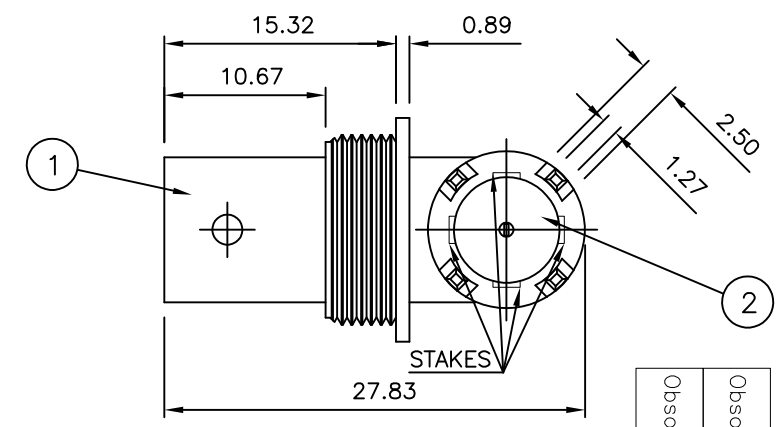
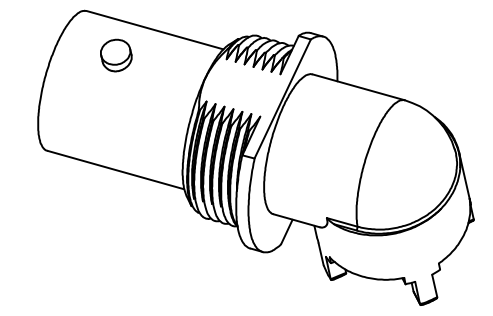
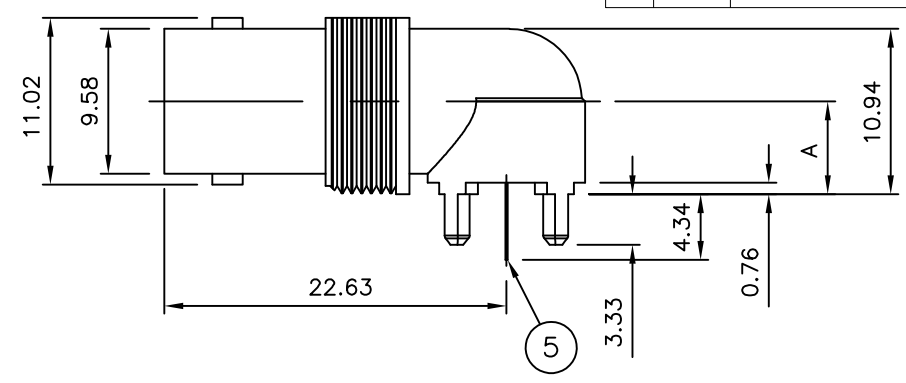
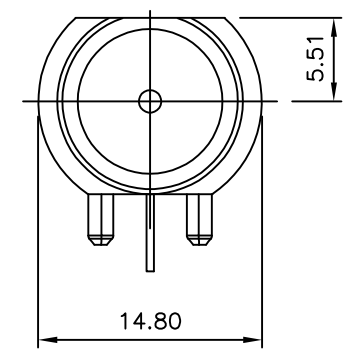
THIS DRAWING IS UNPUBLISHED. RELEASED FOR PUBLICATION FEB ,2004.

© COPYRIGHT 2004 By - ALL RIGHTS RESERVED.

LOC	DIST	REVISIONS			
P	LTR	DESCRIPTION	DATE	DWN	APVD
E	B	G	REVISD PER ECO-12-002190	03FEB12	TT MT
		G1	REVISD PER ECR-17-005149	11APR17	BW RS

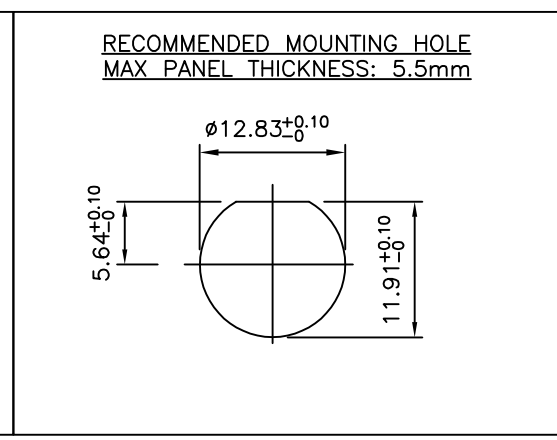
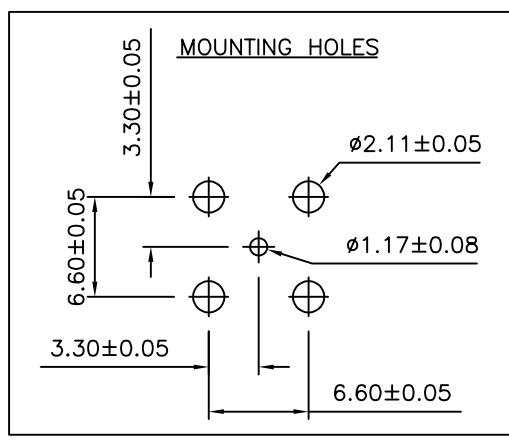
NOTES:

- 1 PACK IN ACCORDANCE WITH AMP SPEC 107-3275
- 2 100 TRAY PACK IN ACCORDANCE WITH AMP SPEC 107-3275
- 3 Au PLATING
- 4 Ni PLATING
- 5 FOR TECHNICAL DATA REFER TO YOUR LOCAL TE CONNECTIVITY SALES OFFICE
- 6 ALL DIMENSIONS ARE NOMINAL FOR REFERENCE ONLY UNLESS OTHERWISE STATED



QUANTITY PER ASSY		PARTS LIST								
1	1	1	1	1	PHOSPHER BRONZE 3	CONTACT	5			
1	1	-	-	1	TPX	INSULATION	4			
-	-	1	1	-	TPX	INSULATION	3			
1	1	1	1	1	PTFE	INSULATION	2			
1	1	1	1	1	ZINC ALLOY 4	BODY	1			
5--7	5--6	5--5	5--4	5--3	5--2	5--1	5--0	MATERIAL	DESCRIPTION	ITEM

6.91	BNC LP ELBOW BULKHEAD PCB SKT 75 OHMS 6.91 BULK	5-1634556-7
Obsolete	6.91 BNC LP ELBOW BULKHEAD PCB SKT 75 OHMS 6.91	5-1634556-6
Obsolete	6.91 BNC LP ELBOW BULKHEAD PCB SKT 50 OHMS 6.91 BULK	5-1634556-5
6.91	BNC LP ELBOW BULKHEAD PCB SKT 50 OHMS 6.91	5-1634556-4
Obsolete	6.15 BNC LP ELBOW BULKHEAD PCB SKT 75 OHMS 6.15 BULK	5-1634556-3
Obsolete	6.15 BNC LP ELBOW BULKHEAD PCB SKT 75 OHMS 6.15	5-1634556-2
6.15	BNC LP ELBOW BULKHEAD PCB SKT 50 OHMS 6.15 BULK	5-1634556-1
6.15	BNC LP ELBOW BULKHEAD PCB SKT 50 OHMS 6.15	5-1634556-0
A	DESCRIPTION	PART NUMBER
DIM		



DIMENSIONS:		TOLERANCES UNLESS OTHERWISE SPECIFIED:	
mm		0 PLC	± 0.5
		1 PLC	± 0.3
		2 PLC	± 0.2
		3 PLC	± -
		4 PLC	± -
		ANGLES	± -
MATERIAL		FINISH	

THIS DRAWING IS A CONTROLLED DOCUMENT.

DWN RITA ZUO 10 Mar 09
 CHK ANSON MA 10 Mar 09
 APVD BOB ZHAO 10 Mar 09

NAME: BNC LP ELBOW BULKHEAD PCB SKT 50 & 75 OHMS

PRODUCT SPEC: 108-112000

APPLICATION SPEC: -

SIZE: A3 CAGE CODE: 00779 DRAWING NO: C-1634556 RESTRICTED TO: -

WEIGHT: 0

CUSTOMER DRAWING SCALE: NTS SHEET: 1 OF 1 REV: G1