

4

3

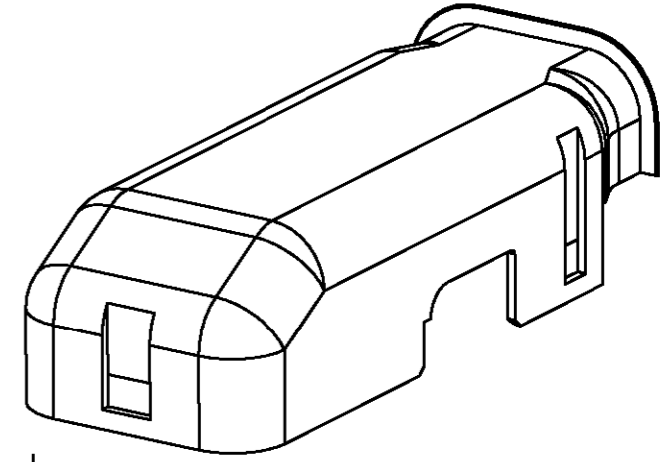
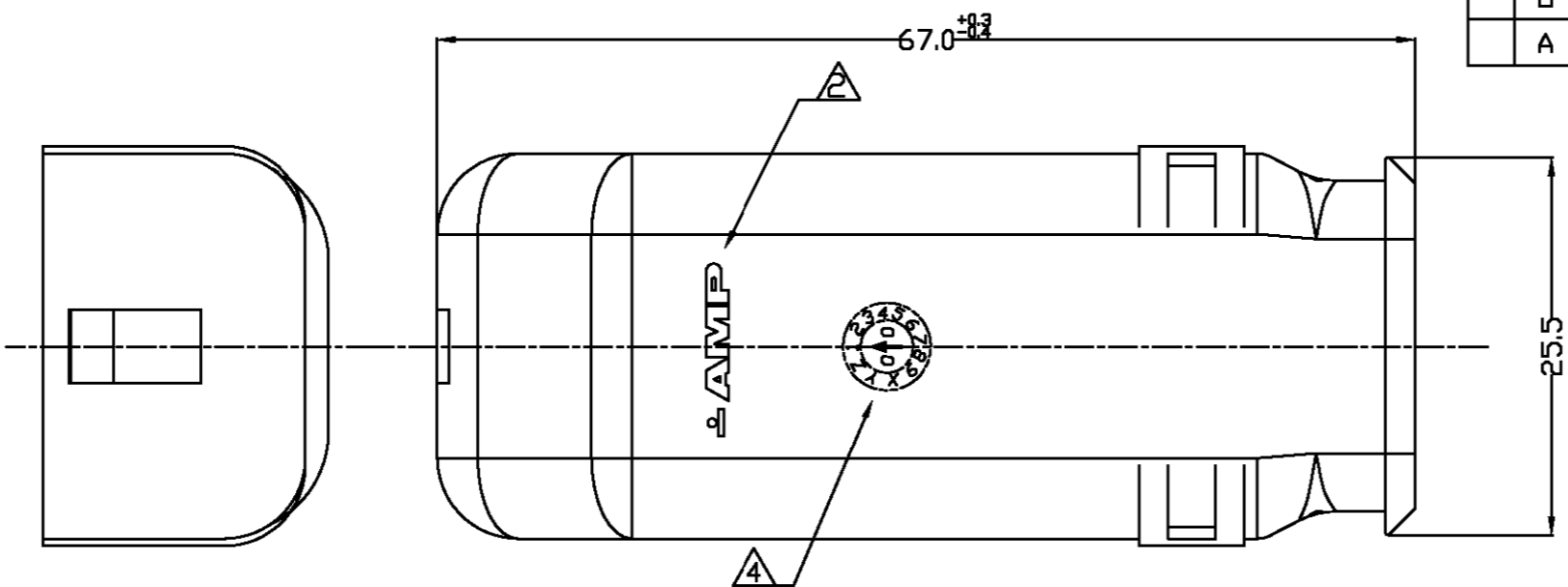
2

1

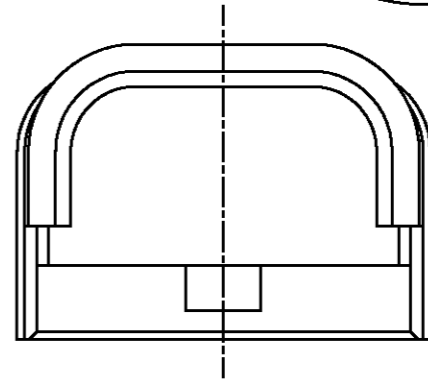
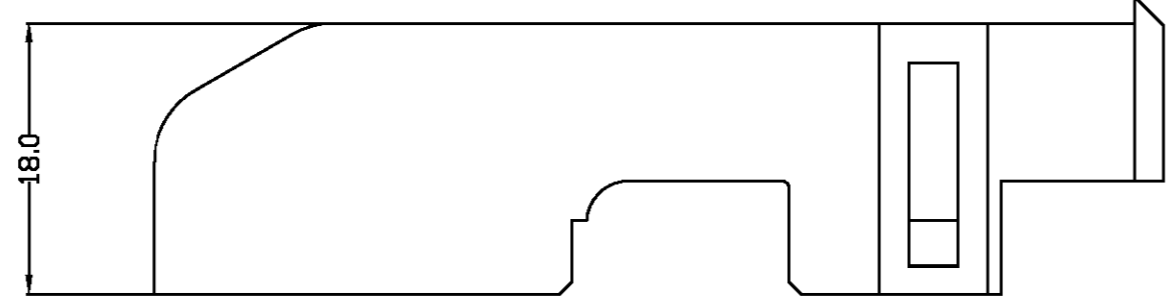
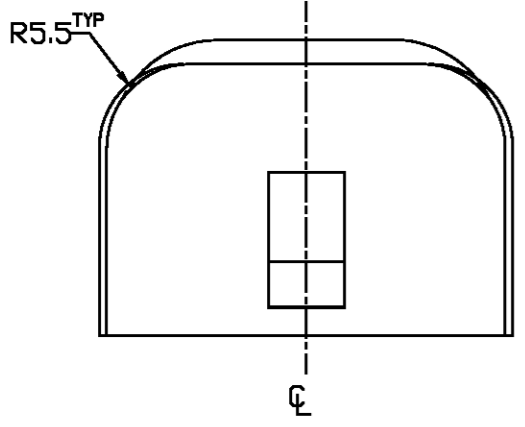
THIS DRAWING IS UNPUBLISHED. RELEASED FOR PUBLICATION 1997 .
 © COPYRIGHT 1997 BY AMP INCORPORATED. ALL RIGHTS RESERVED.

LOC		DIST		REVISIONS			
P	LTR	DESCRIPTION	DATE	DWN	APVD		
	□	RELEASED ECN(KFC00-0078-00)	14/JUN/00	JW	CS		
	A	REVISED ECN(KFC00-0029-03)	20/FEB/03	JW	CS		

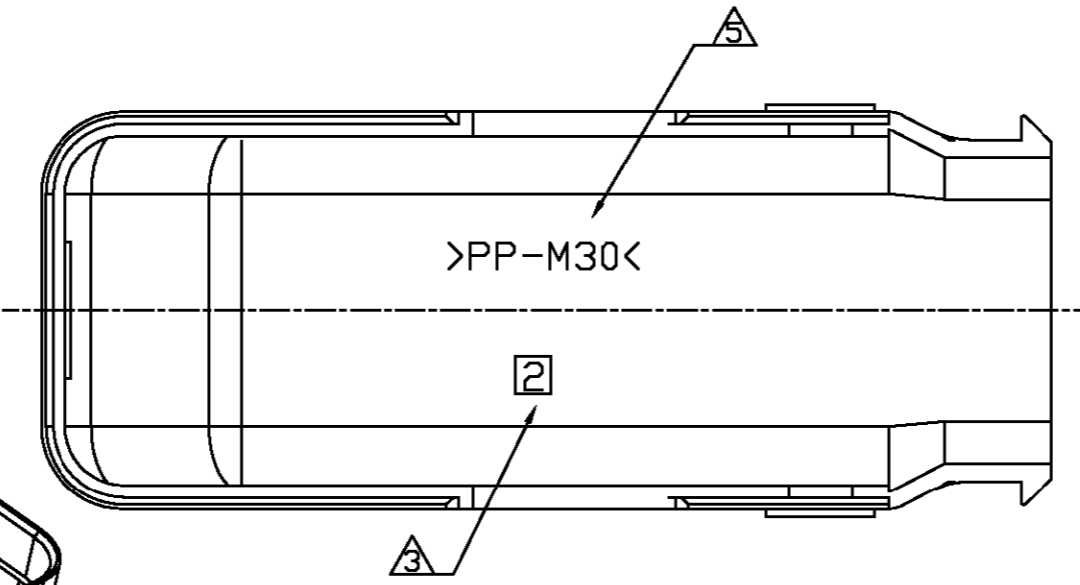
D



C



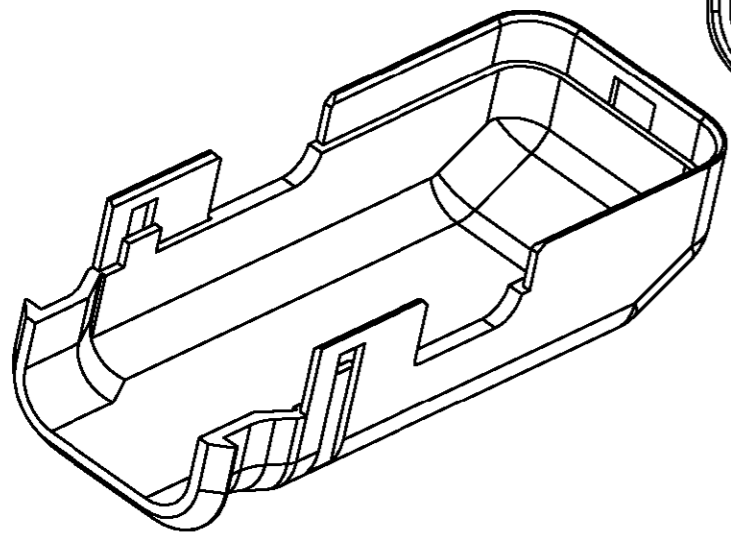
B



NOTE.
 1. APPLICABLE ASS'Y CONNECTOR FOR 64 POSITION FEMALE CONNECTOR, P/N: 368434
 △ AMP TRADE MARK.
 △ CAVITY MARK.
 △ DATE CODE.
 △ RECYCLE MARKING.

PART NO.	MATERIAL	COLOR
0-368441-1	PP-M30	BLACK

A



THIS DRAWING IS CONTROLLED DOCUMENT FOR AMP INCORPORATED. IT IS SUBJECT TO CHANGE AND THE CONTROLLING ENGINEERING ORGANIZATION SHOULD BE CONTACTED FOR THE LATEST REVISION.		DWN J.W. JUNG	AMP AMP KOREA. kyungsan, korea		
DIMENSIONS: MM		CHK B.M. JANG			
TOLERANCES UNLESS OTHERWISE SPECIFIED: 0 <XX<10 ± 0.2 10 <XX<30 ± 0.25 30 <XX ± 0.3 ANGLES ± 3°		APVD C.S. LEE	NAME COVER HSG FOR 64POS.		
3rd ANGLE PROJECTION		PRODUCT SPEC ----	SIZE A3	CAGE CODE 00779	DRAWING NO C- 3 6 8 4 4 1
MATERIAL SEE TABLE		APPLICATION SPEC ----	WEIGHT ---	SCALE 2 : 1	SHEET 1 OF 1
FINISH SEE TABLE		REV A			

Mouser Electronics

Authorized Distributor

Click to View Pricing, Inventory, Delivery & Lifecycle Information:

[TE Connectivity:](#)

[368441-1](#)