

THIS DRAWING IS UNPUBLISHED.

RELEASED FOR PUBLICATION

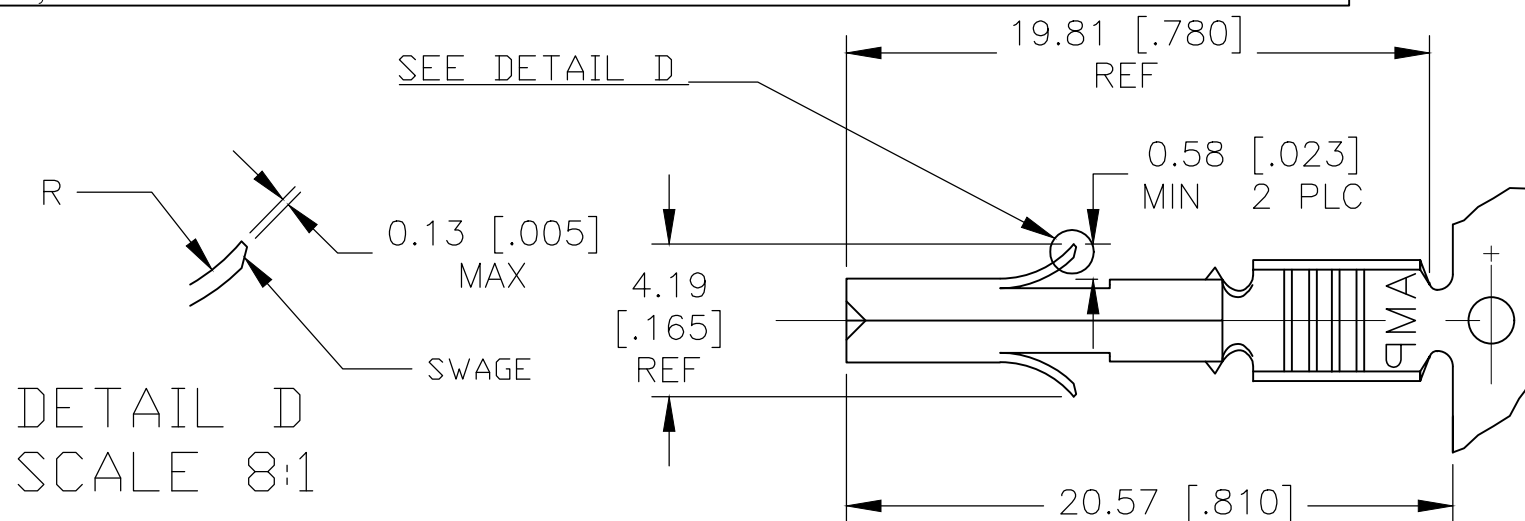
ALL RIGHTS RESERVED.

© COPYRIGHT - By -

LOC AF DIST 58

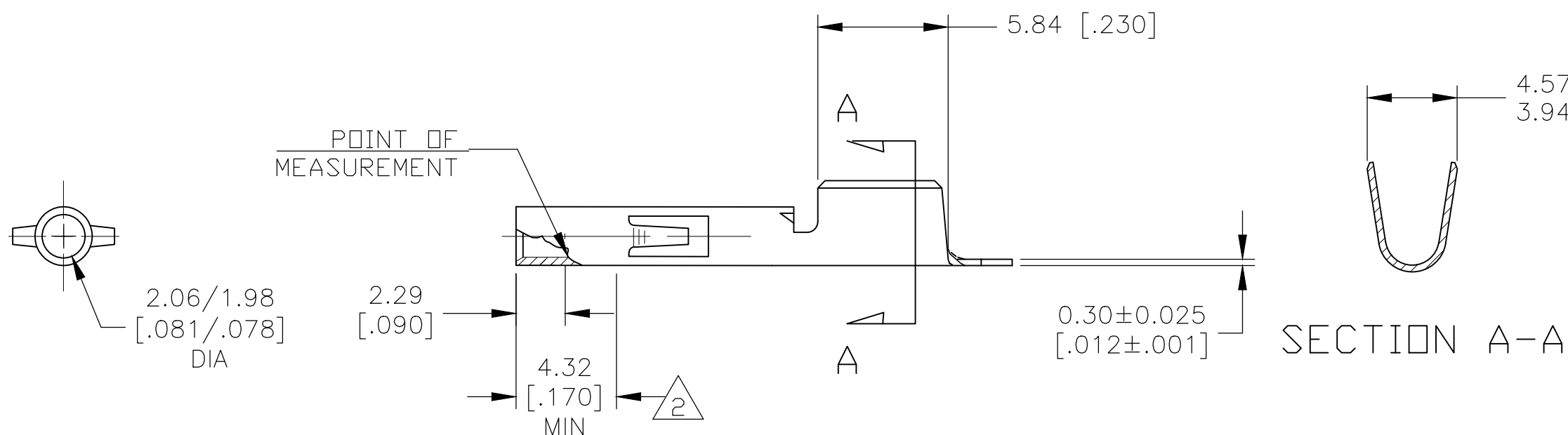
REVISIONS

P	LTR	DESCRIPTION	DATE	DWN	APVD
	S4	REVISED PER ECR-19-001179	08FEB2019	BDA	FS



DETAIL D
SCALE 8:1

1. WIRE RANGE : 12-10 AWG
INSULATION RANGE: 5.08 [.200] DIA MAX
(LIMITED BY THE CONNECTOR HOUSING CAVITY).
2. 0.00076 [.000030] THK GOLD, OVER
0.00127 [.000050] NICKEL UNDERPLATE ON
INSIDE OF RECEPTACLE, REMAINDER
OF CONTACT IS NICKEL PLATED.
3. GOLD OVER NICKEL UNDERPLATE ON ENTIRE
STAMPING, 0.00076 [.000030] MIN GOLD
AT POINT OF MEASUREMENT IN CONTACT
AREA, GOLD FLASH MIN IN WIRE BARREL.



640310-6	GOLD $\triangle 2$	PHOS BRZ	350923-6
---	GOLD $\triangle 3$	PHOS BRZ	350923-4
640310-3	PRE-TIN	PHOS BRZ	350923-3
LOOSE PIECE P/N REF	FINISH	MATERIAL	PART NUMBER

THIS DRAWING IS A CONTROLLED DOCUMENT.		DWN jr ruth 11OCT11	STE TE Connectivity													
DIMENSIONS: MM [INCHES]		CHK TOM MICHIELUTTI 11OCT11														
TOLERANCES UNLESS OTHERWISE SPECIFIED:		APVD TOM MICHIELUTTI 11OCT11	NAME SOCKET UNIVERSAL MATE-N-LOK													
<table border="0"> <tr><td>0 PLC</td><td>± -</td></tr> <tr><td>1 PLC</td><td>± -</td></tr> <tr><td>2 PLC</td><td>± 0.25 [.010]</td></tr> <tr><td>3 PLC</td><td>± -</td></tr> <tr><td>4 PLC</td><td>± -</td></tr> <tr><td>ANGLES</td><td>± -</td></tr> </table>		0 PLC	± -	1 PLC	± -	2 PLC	± 0.25 [.010]	3 PLC	± -	4 PLC	± -	ANGLES	± -	PRODUCT SPEC -	SIZE A3	
0 PLC	± -															
1 PLC	± -															
2 PLC	± 0.25 [.010]															
3 PLC	± -															
4 PLC	± -															
ANGLES	± -															
MATERIAL -		FINISH -	CAGE CODE 00779	DRAWING NO C-350923												
CUSTOMER DRAWING			RESTRICTED TO -	SCALE 4:1												
			SHEET 1 OF 1	REV S4												

Mouser Electronics

Authorized Distributor

Click to View Pricing, Inventory, Delivery & Lifecycle Information:

[TE Connectivity:](#)

[350923-6](#)