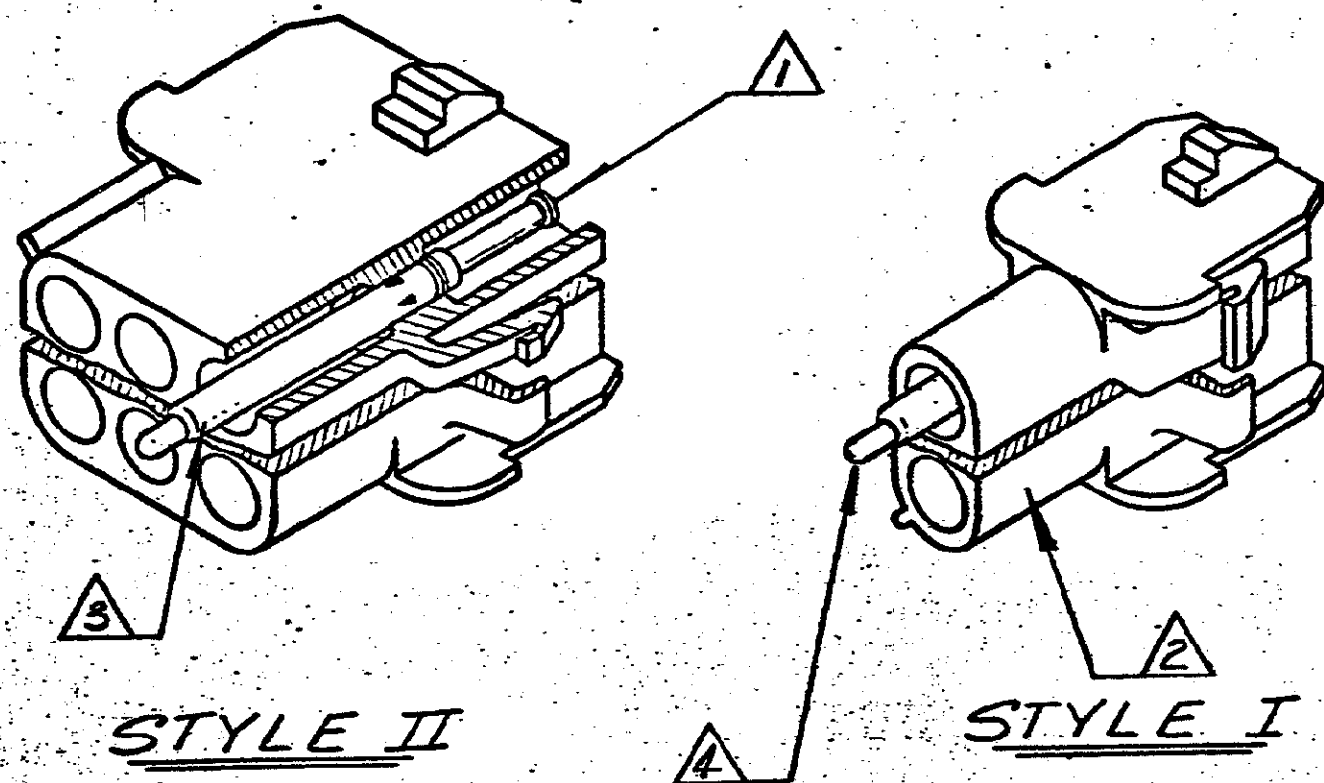


© COPYRIGHT

REVISIONS					
REV	ZONE	LTR	DESCRIPTION	DATE	APPROVED
1		A3	REVISED PER ECO-11-005140	31MAR11	HMR



- 1 SPRING LOADED TEST PROBE
- 2 CAP HOUSING - FLAME RETARDANT NYLON (94V-0 RATING), FINISH-NATURAL
- 3 TEST PROBE RECEPTACLE MATERIAL-BRASS, FINISH- PRE-TIN
- 4 ACCEPTS UNIVERSAL MATE-N-LOK SOCKETS.
- 5 OBSOLETE PARTS: OBSOLETE CIS STREAMLINING PER D.RENAUD/D.SINISI

5	STYLE	NO. OF CIRCUITS	PART NO
OBSOLETE	II	15	1350849-5
	II	12	1350849-2
	II	9	350849-9
	II	6	350849-6
	I	5	350849-5
OBSOLETE	I	4	350849-4
	I	3	350849-3
	I	2	350849-2

UNLESS OTHERWISE SPECIFIED DIMENSIONS ARE IN INCHES. TOLERANCES ON: DECIMALS ± ANGLES ±		CONTRACT NO		TE Connectivity	
MATERIAL		DR <i>D.C. WINGARD</i> 8/15/75			
FINISH		CHK <i>E.C. ...</i> 8/28/75		NAME	
		APPD <i>R.P. ...</i> 8/28/75		UNIVERSAL MATE-N-LOK CAP TEST ASSEMBLY	
		DSGN APPD		SIZE	CODE IDENT NO
		OTHER APPD		B	00779
				DRAWING NO	
				350849	
				SCALE	SHEET

Mouser Electronics

Authorized Distributor

Click to View Pricing, Inventory, Delivery & Lifecycle Information:

[TE Connectivity:](#)

[350849-6](#)