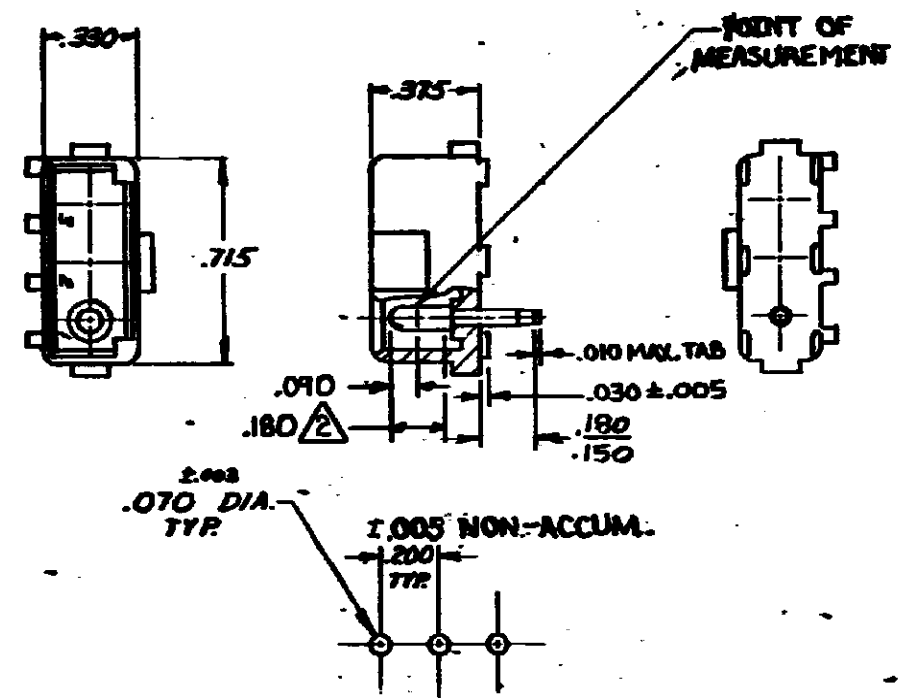


WAS P-79-G102



RECOMMENDED LAYOUT FOR
.062 THICK P.C. BOARD

1. PARTS COMPLY WITH TE SOLDERABILITY SPEC. 109-11-3
 2. CONTACT IS PLATED OVERALL WITH .000050 NIKEL, THEN .000030 GOLD OVER CONTACT LENGTH INDICATED AND TIN PLATED ON SOLDER TAIL END.

SUPERSEDED BY
1586532-2

5-350541-2	NYLON - GREEN	COPPER ALLOY - GOLD
350541-2	NYLON NATURAL	COPPER ALLOY GOLD
350541-1	NYLON - NATURAL	COPPER ALLOY - PRE-TIN
ASSEMBLY NO	HSG. MATL & COLOR	PIN MATL & FINISH

L2	REVISED PER ECR-18-008156	JB/DZ	19 JUN 2018
L1	REVISED PER ECR-13-008342	AV/RS	12 NOV 2013
L	OBsolete 1-21 3-1,4,5-16-17-1 8-1,9-12,23-27 43-62,72,82-92-93	AV/RS	4-21-86

M	RESTORED	RS	11/77
K	REV. PER M-7375	RS	7/77
J	REV. PER M-7285	DH	7/76
H	ADDED NOTE 2 R-6197	DH	7/75
G	ISSUED DIM FOR M-5134	DH	7/75
F	REV. Tail Length M-5334	DH	4-74
E	REVISED M-3932	DH	2-74
D	ECN M-3877	DH	9-76
C	RELEASED	DW	7/76
B	ECN M-3452	GV	7/74
A	ECN M-3152	EC	7/74

REQUIRED PER ASSEMBLY	DESCRIPTION

© 1973 BY AMP INCORPORATED. ALL RIGHTS RESERVED.
AMP PRODUCTS COVERED BY PATENTS AND/OR PATENTS PENDING.

DR 3-20-73
G. Eckman

CHK 4/1/73
L. H. H. H. H. H.

DE 4-10-73
J. H. H. H. H.

MP 4-10-73
J. H. H. H. H.

MATERIAL AND FINISH: SEE TABLE

WIRE RANGE - INSULATION: H

TOLERANCE EXCEPT AS NOTED: ±.015 ±.10°

SCALE: H

TYPE: POSITIVE LOCK

CLASS: .084 DIA. PIN

CM B NO 350541 L2

NAME: 3 CIRCUIT MATE-N-LOK P.C. BOARD HEADER

DIMENSIONS IN INCHES, UNLESS OTHERWISE SPECIFIED

Mouser Electronics

Authorized Distributor

Click to View Pricing, Inventory, Delivery & Lifecycle Information:

[TE Connectivity:](#)

[350541-1](#)