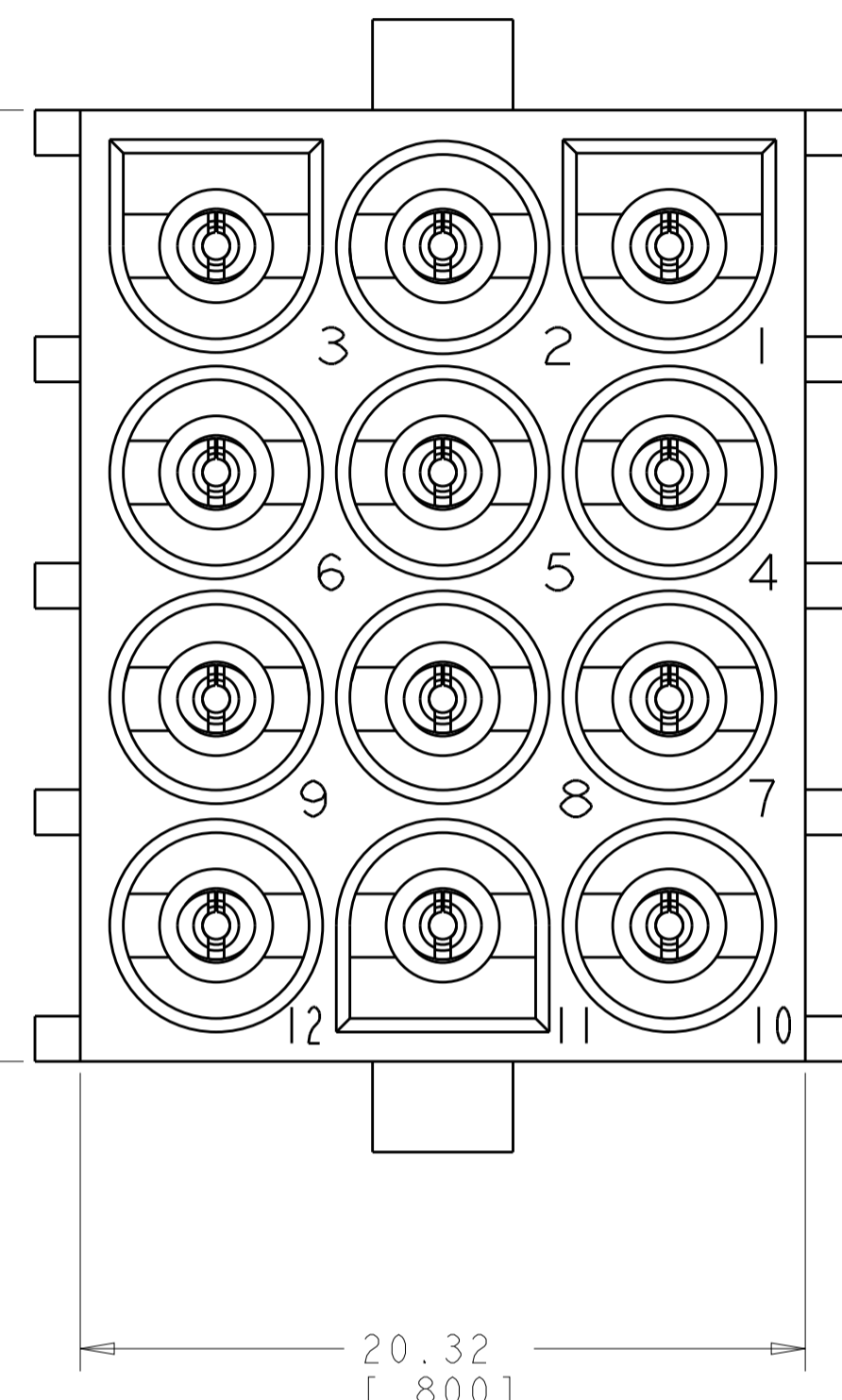
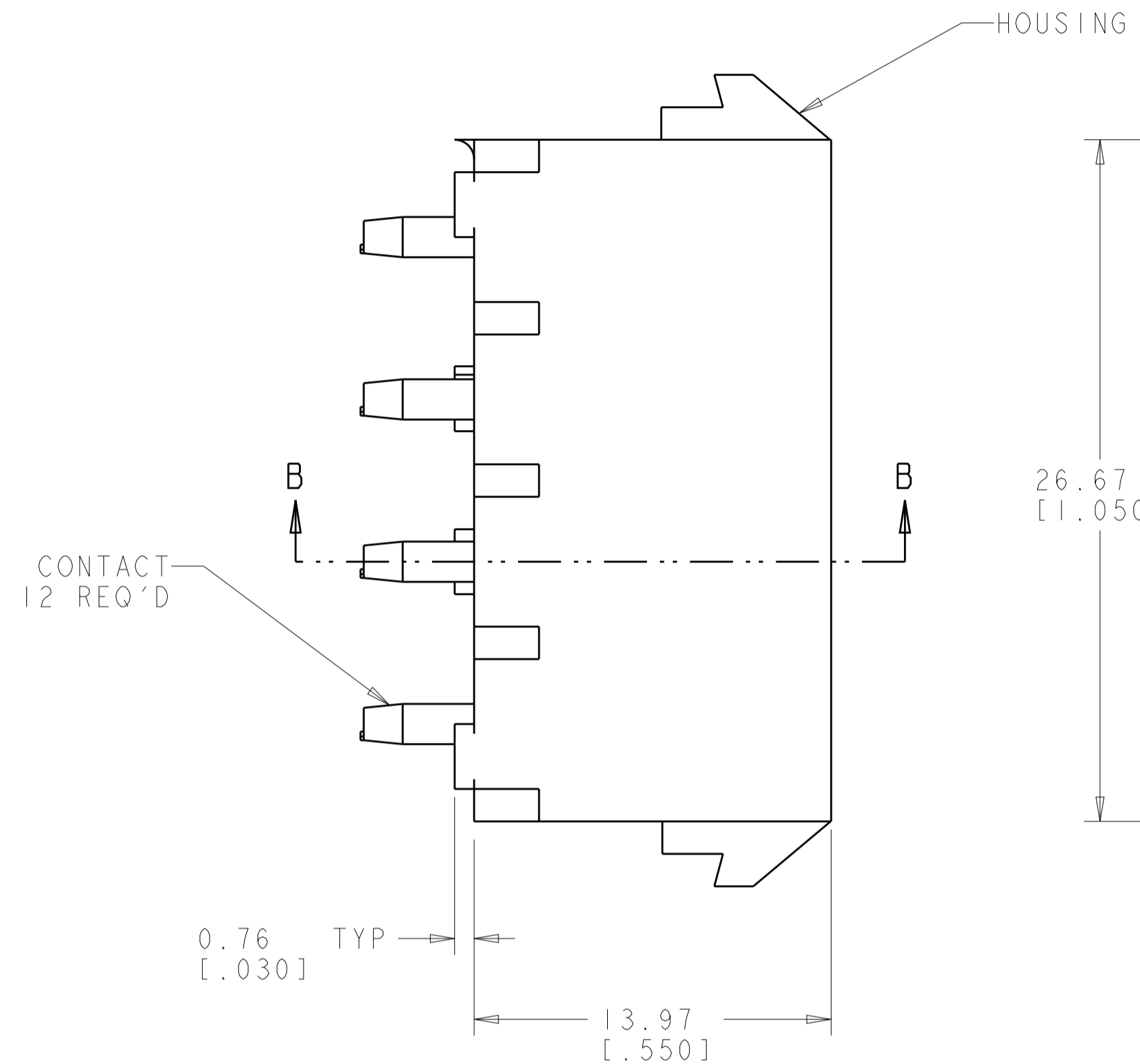
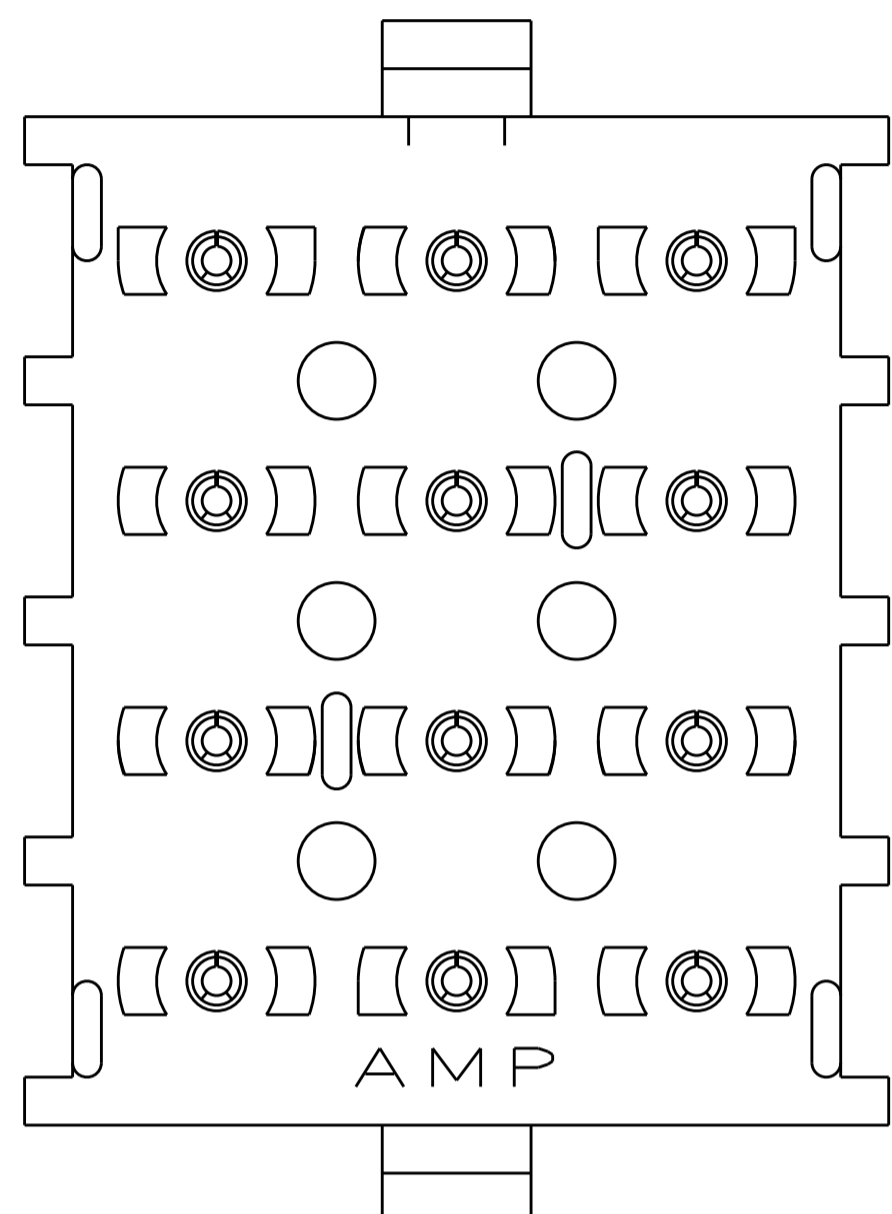
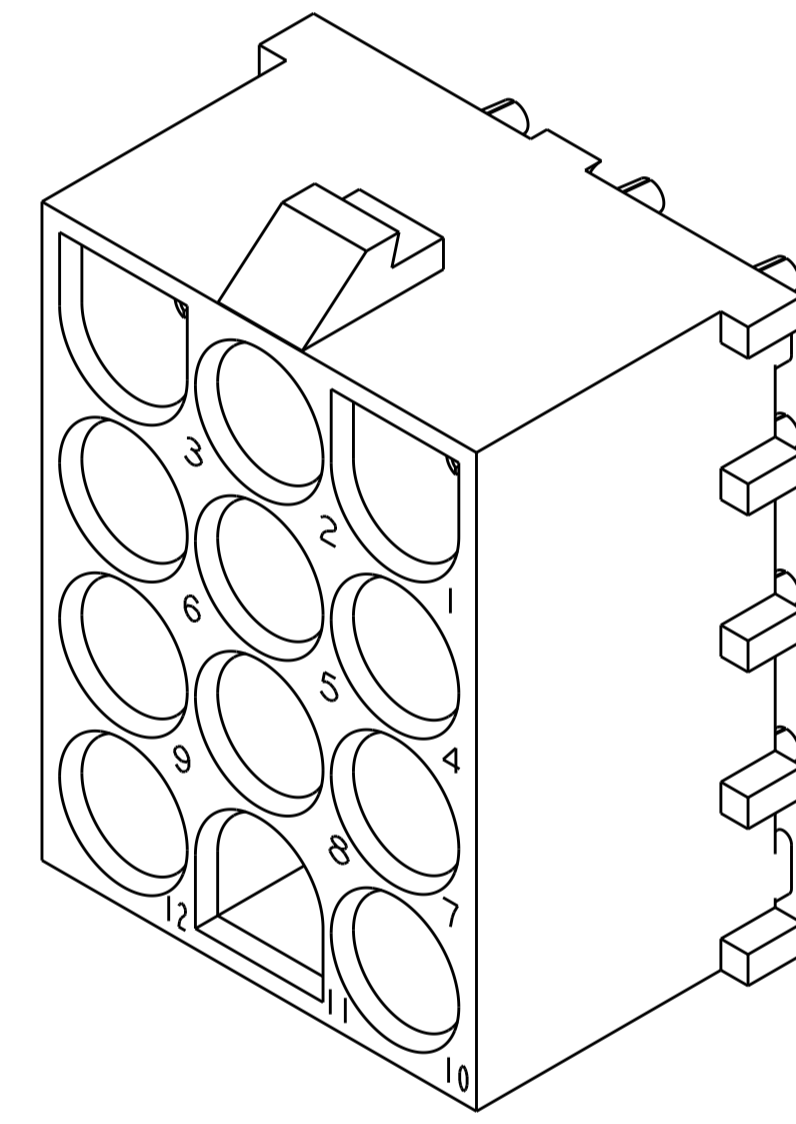


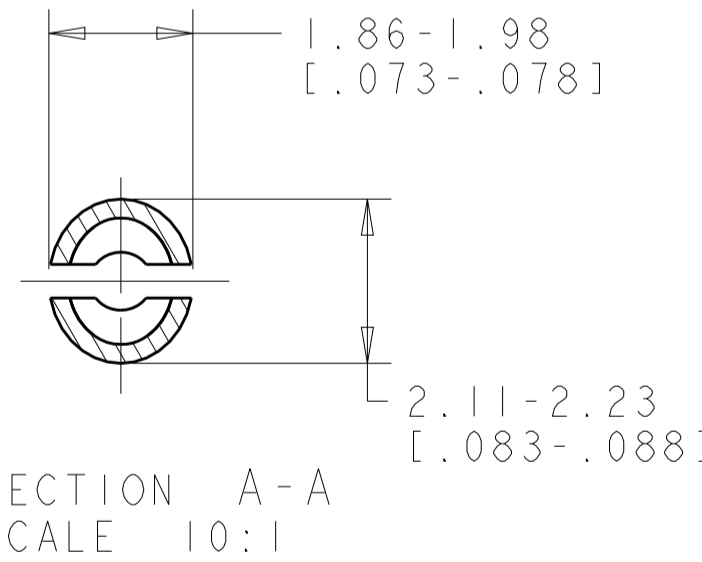
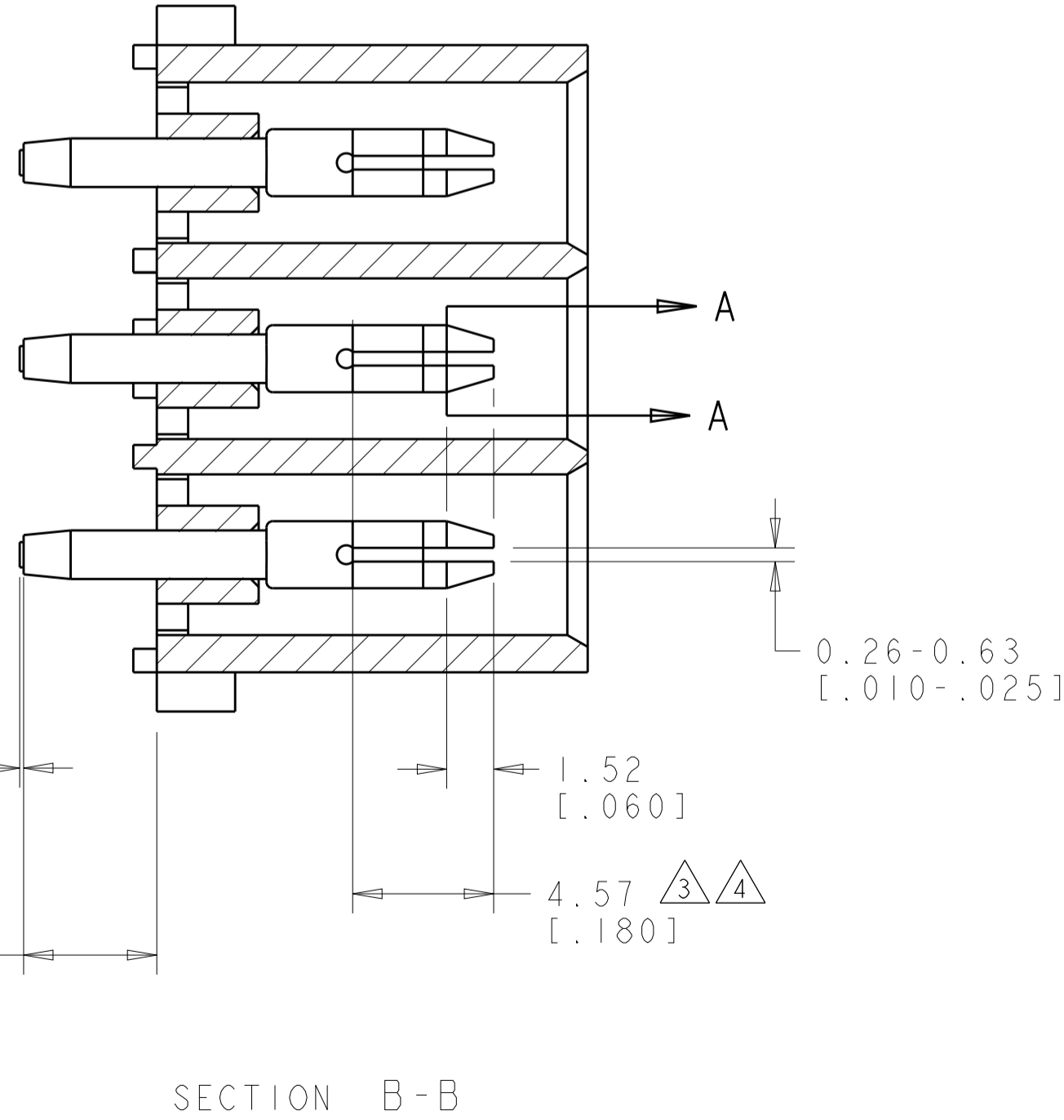
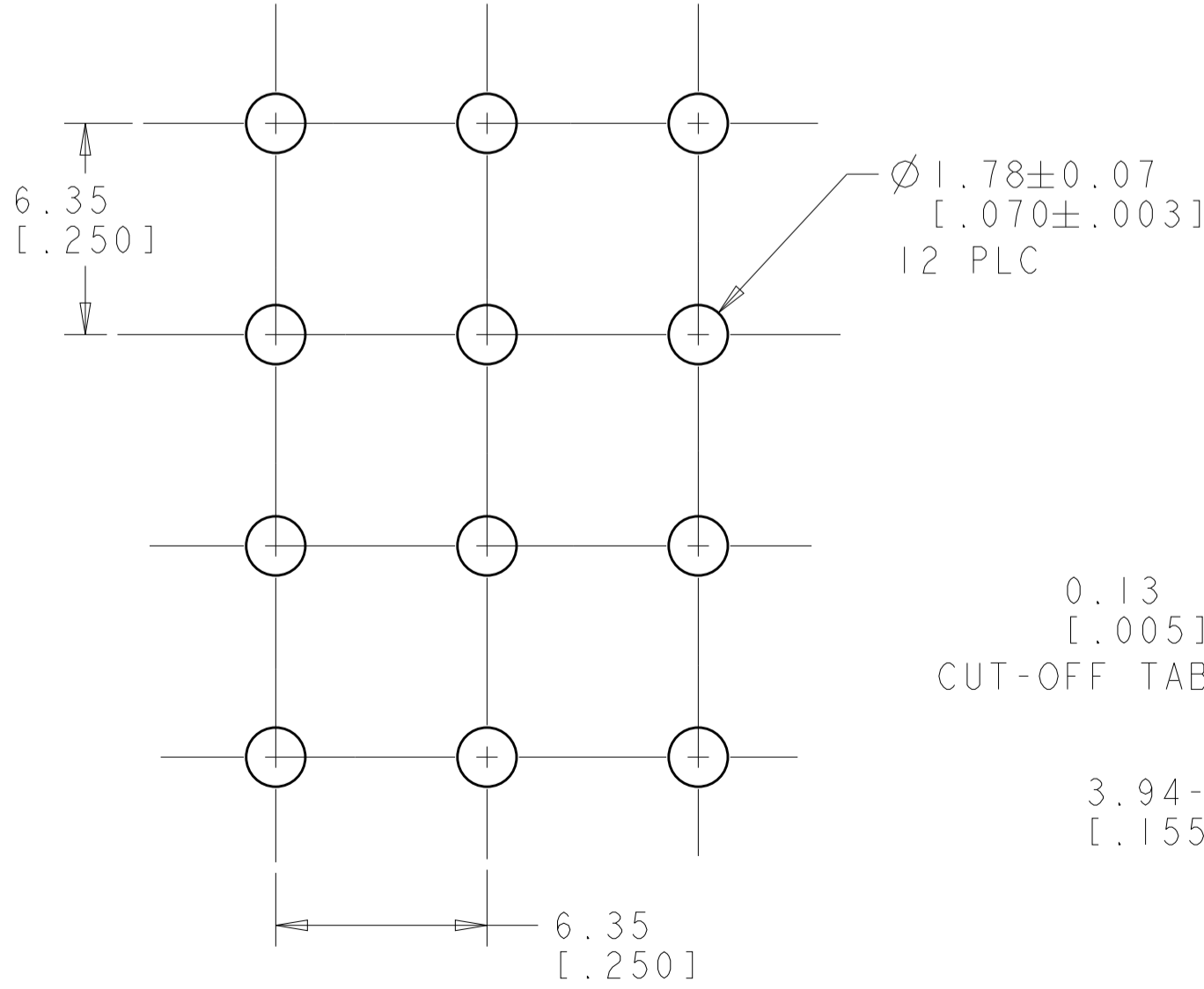
LOC	DIST	REVISIONS			
P	LTN	DESCRIPTION	DATE	DWN	APVD
W2		REVISED PER ECR-12-011660	24JAN2013	KH	TM
W3		REVISED PER ECR-18-006149	24APR2018	MM	DZ



- MATES WITH HOUSING 480708.
- PARTS COMPLY TO AMP SOLDERABILITY SPECIFICATION 109-11-3.
- CONTACT IS PLATED OVERALL WITH 0.00127 [.000050] NICKEL, THEN 0.00076 [.000030] GOLD OVER CONTACT LENGTH INDICATED AND TIN LEAD ON SOLDER TAIL END.
- CONTACT IS PLATED OVERALL WITH 0.00127 [.000050] NICKEL, THEN 0.00076 [.000030] GOLD OVER CONTACT LENGTH INDICATED AND MATTE TIN ON SOLDER TAIL END.
- DIMENSIONS IN BRACKETS ARE IN INCHES.
- SUPERSEDED BY 350433-4

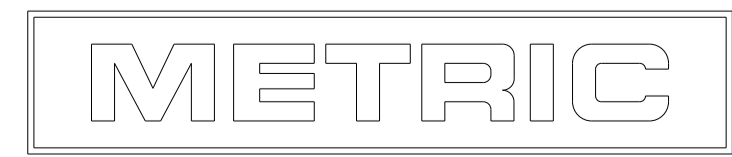


3 DIMENSIONAL MODEL
SCALE 4:1



PIN CONTACT MATERIAL AND FINISH	HOUSING MATERIAL AND COLOR	PART NUMBER
PHOSPOR BRONZE, PRE-TIN	NYLON, UL94V-0, NATURAL, GWT	350433-5
PHOSPOR BRONZE, GOLD Δ	NYLON, UL94V-2, NATURAL	350433-4
Δ PHOSPOR BRONZE, GOLD Δ	NYLON, UL94V-2, NATURAL	350433-2
PHOSPOR BRONZE, PRE-TIN	NYLON, UL94V-2, NATURAL	350433-1

RECOMMENDED MOUNTING HOLE PATTERN FOR 1.57 [.062] THICK P.C. BOARD HOLE THAT CORRESPONDS TO REMOVED CONTACT CAN BE OMITTED



THIS DRAWING IS A CONTROLLED DOCUMENT. DWN: K. WHITAKER 04MAY2005
 CHK: S. RIDGILL 04MAY2005
 APVD: S. RIDGILL 04MAY2005

STE TE Connectivity

NAME: PIN HEADER ASSEMBLY, 12 CIRCUIT, UNIVERSAL MATE-N-LOK(TM)
 SIZE: A1
 CAGE CODE: 350433
 DRAWING NO: 350433-1
 SHEET 1 OF 1
 REV: W3

MATERIAL: SEE TABLE
 FINISH: SEE TABLE
 DIMENSIONS: mm [INCHES]
 TOLERANCES UNLESS OTHERWISE SPECIFIED:
 0 PLC ±
 1 PLC ±0.131(.005)
 2 PLC ±
 3 PLC ±
 4 PLC ±
 ANGLES: 40°/30°

CUSTOMER DRAWING SCALE: 5:1