

4

3

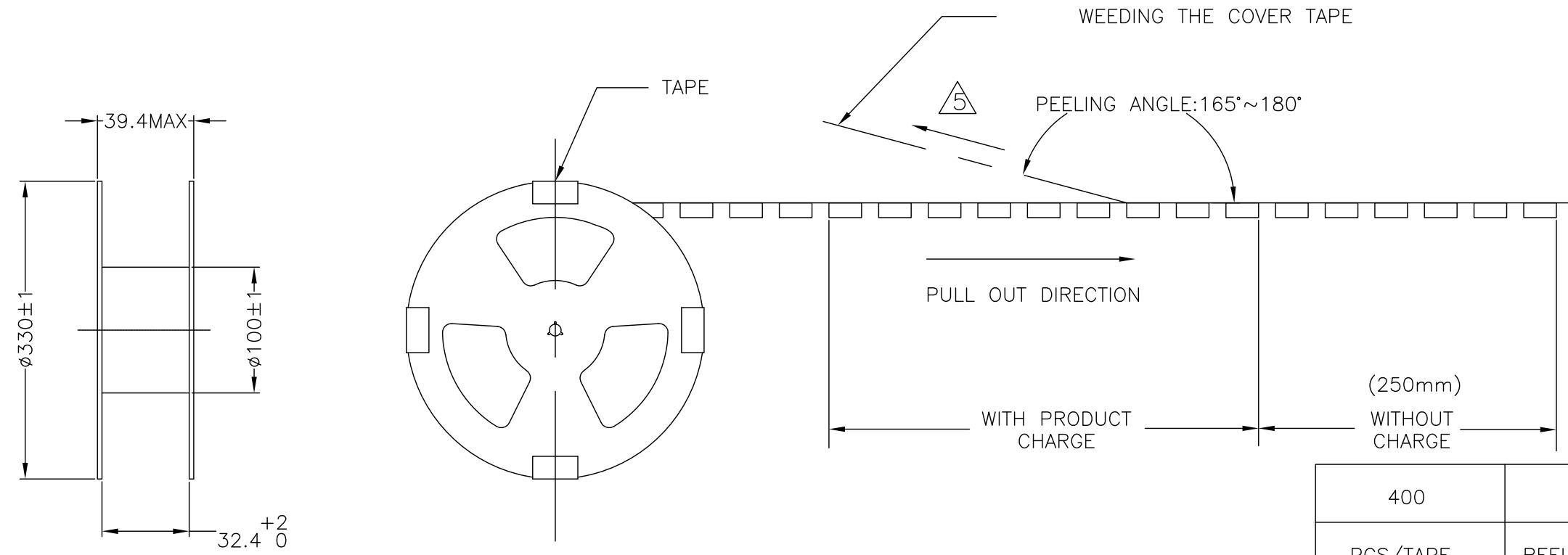
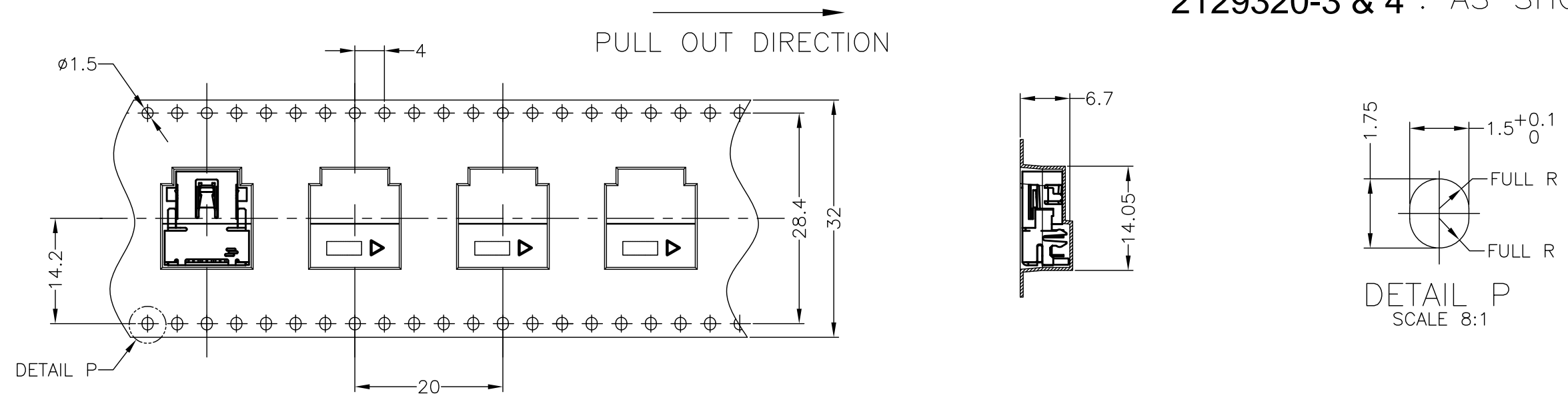
2

1

THIS DRAWING IS UNPUBLISHED. RELEASED FOR PUBLICATION
 © COPYRIGHT - By - ALL RIGHTS RESERVED.

LOC	DIST	REVISIONS					
DW		P	LTR	DESCRIPTION	DATE	DWN	APVD
		D1		REVISED (ECR-19-015854)		J.L	H.K

2129320-3 & 4 : AS SHOWN



400	8	3200
PCS/TAPE	REELS/CARTON	TOTAL Q'TY

THIS DRAWING IS A CONTROLLED DOCUMENT.

DWN	V.PENG	02SEP2011
CHK	M.CHAO	02SEP2011
APVD	H.KODAMA	02SEP2011

TE Connectivity

NAME: MINI DISPLAYPORT RECEPTACLE CONNECTOR 4 ROW TH, REVERSED, OFFSET TYPE

SIZE	CAGE CODE	DRAWING NO	RESTRICTED TO
A3	00779	2129320	

CUSTOMER DRAWING

SCALE: NONE SHEET: 1 OF 5 REV: D1

DIMENSIONS:	TOLERANCES UNLESS OTHERWISE SPECIFIED:
mm	
0 PLC	±
1 PLC	±
2 PLC	±
3 PLC	±
4 PLC	±
ANGLES	±3
MATERIAL	FINISH
SEE NOTE 1	

4

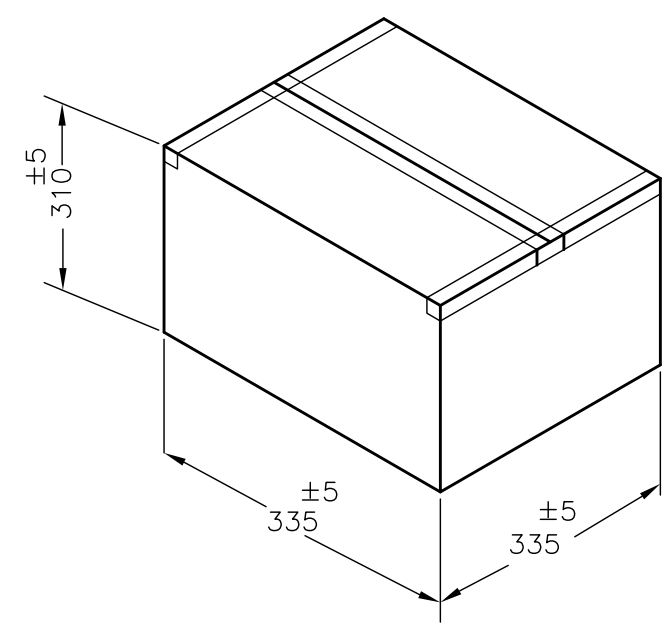
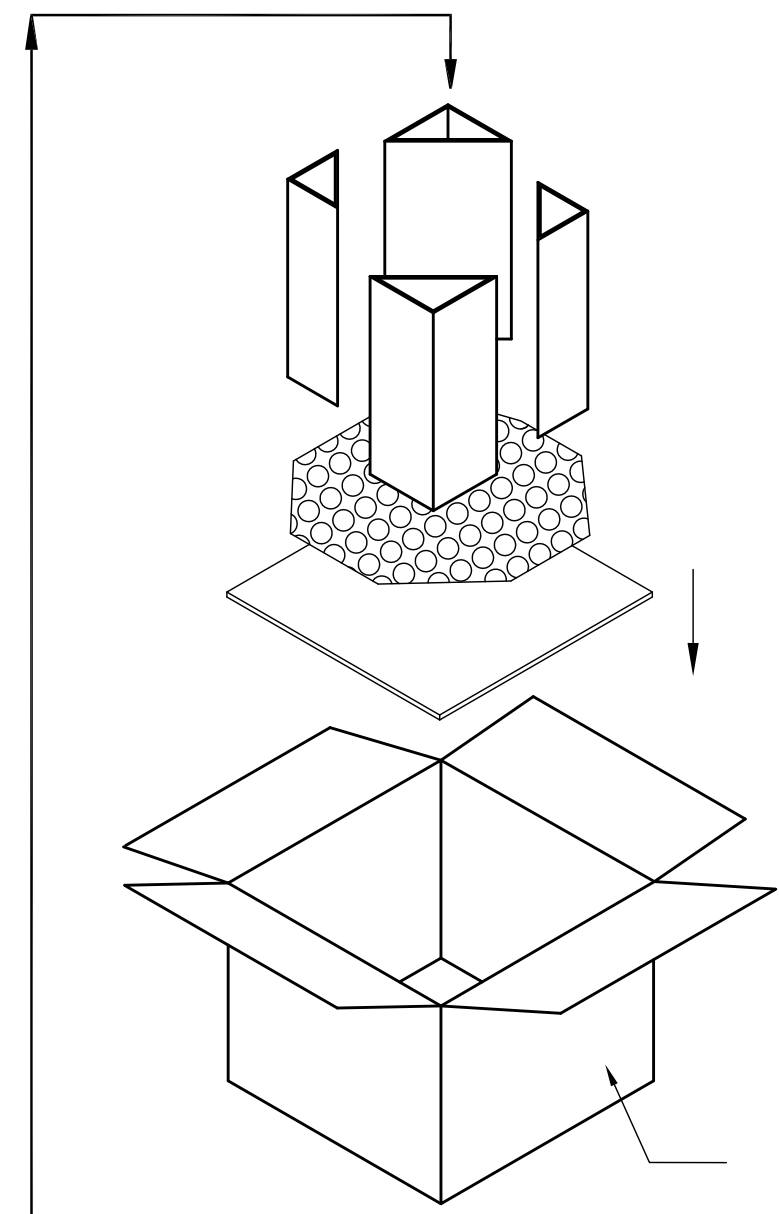
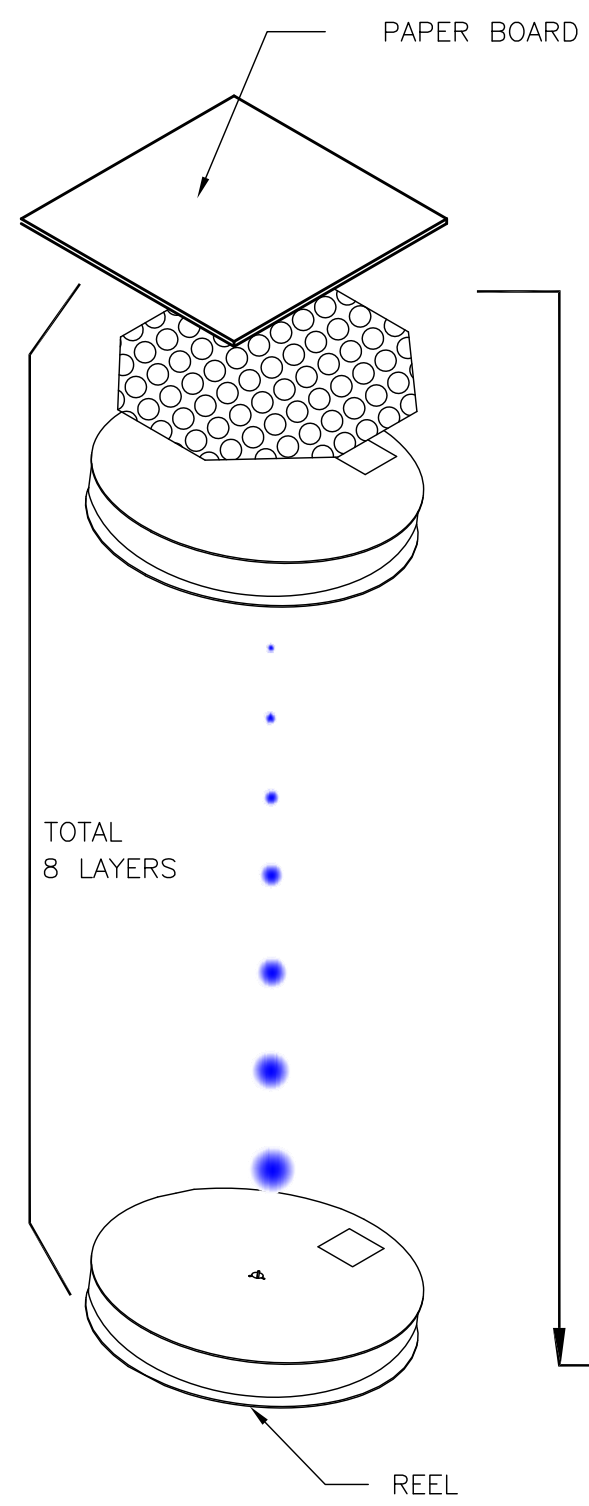
3

2

1

THIS DRAWING IS UNPUBLISHED. RELEASED FOR PUBLICATION - , - .
 © COPYRIGHT - By - ALL RIGHTS RESERVED.

LOC	DIST	REVISIONS			
P	LTR	DESCRIPTION	DATE	DWN	APVD
		SEE SHEET 1	-	-	-



1. PACKING MATERIAL :
 - 1.1 REEL: PS(RoHS) BLUE.
 - 1.2 COVER TAPE: PET,
 - 1.3 SHIPPING CARTON: CORRUGATED FIBER
2. DIMENSION :
 - 2.1 REEL: W=44.5, DIA=330
 - 2.2 SHIPPING CARTON: L=335, W=335, H=310
3. QUANTITY :
 - 3.1 PRIMARY PACKING: 400 PCS/REEL
 - 3.2 SECONDARY PACKING: 8 REELS(3200 PCS)/CARTON
4. WEIGHT :
 - 4.1 NET WEIGHT : 1.23g/PCS, 0.49Kg/REEL, 3.93Kg/CARTON.
 - 4.2 GROSS WEIGHT: 7.83 Kg/CARTON.
5. PEELING RESISTANCE: 0.1~0.7N (10.2gf~71.4gf).
6. PEELING SPEED: 300mm/MINUTES.

THIS DRAWING IS A CONTROLLED DOCUMENT.		DWN		STE TE Connectivity																			
DIMENSIONS: mm		CHK																					
TOLERANCES UNLESS OTHERWISE SPECIFIED:		APVD		NAME																			
<table border="0"> <tr><td>0 PLC</td><td>±</td><td>±0.25</td></tr> <tr><td>1 PLC</td><td>±</td><td>±0.25</td></tr> <tr><td>2 PLC</td><td>±</td><td>±0.25</td></tr> <tr><td>3 PLC</td><td>±</td><td>±0.25</td></tr> <tr><td>4 PLC</td><td>±</td><td>±0.25</td></tr> <tr><td>ANGLES</td><td>±</td><td>±3</td></tr> </table>		0 PLC	±	±0.25	1 PLC	±	±0.25	2 PLC	±	±0.25	3 PLC	±	±0.25	4 PLC	±	±0.25	ANGLES	±	±3	PRODUCT SPEC		MINI DISPLAYPORT RECEPTACLE CONNECTOR	
0 PLC	±	±0.25																					
1 PLC	±	±0.25																					
2 PLC	±	±0.25																					
3 PLC	±	±0.25																					
4 PLC	±	±0.25																					
ANGLES	±	±3																					
MATERIAL SEE NOTE 1		APPLICATION SPEC		4 ROW TH, REVERSED, OFFSET TYPE																			
		WEIGHT		SIZE	CAGE CODE																		
		CUSTOMER DRAWING		A3	00779																		
		SCALE		DRAWING NO	RESTRICTED TO																		
		NONE		C-2129320																			
		SHEET		REV																			
		2 OF 5		D1																			

4

3

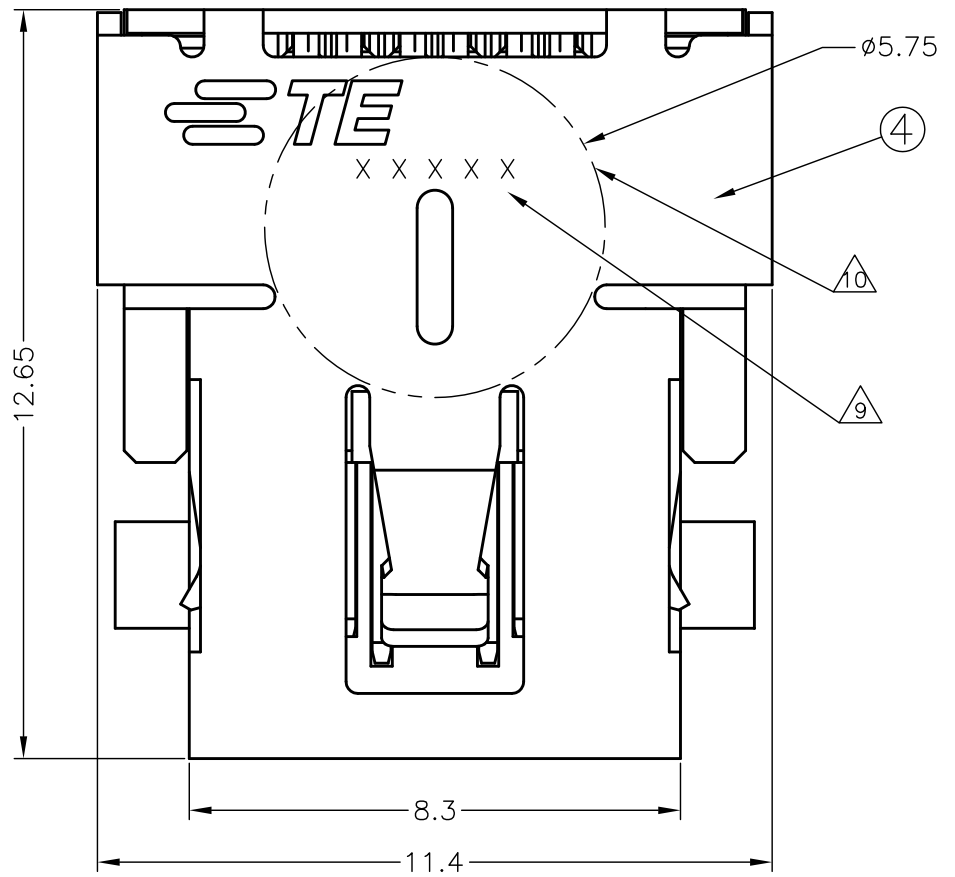
2

1

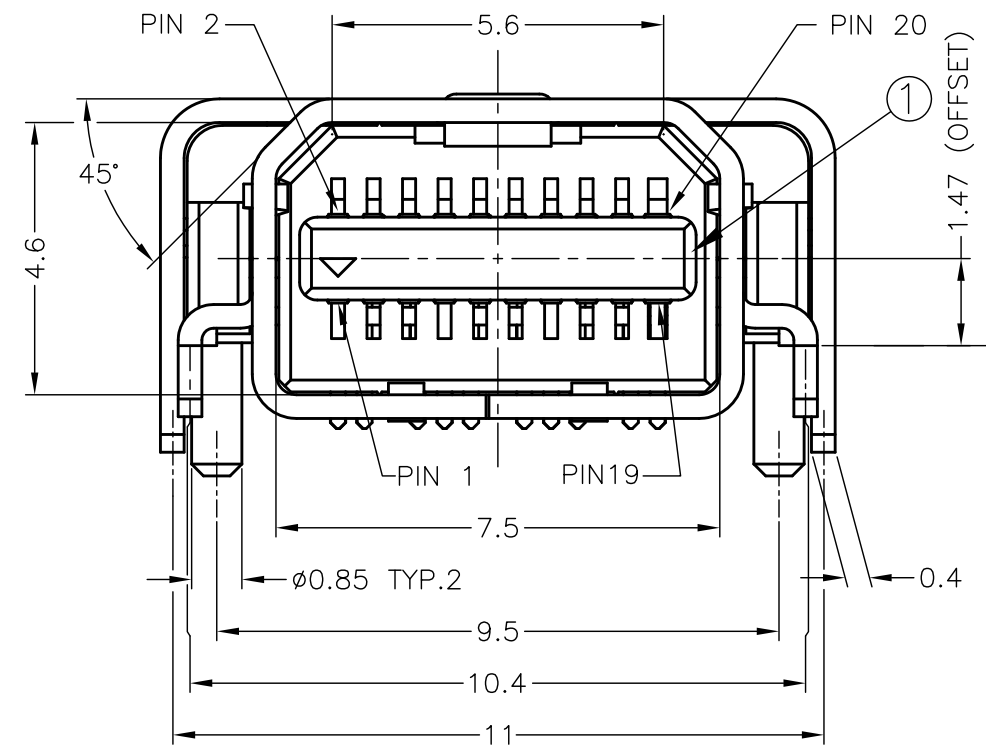
THIS DRAWING IS UNPUBLISHED. RELEASED FOR PUBLICATION
 © COPYRIGHT - By - ALL RIGHTS RESERVED.

LOC	DIST	REVISIONS				
P	LTR	DESCRIPTION	DATE	DWN	APVD	
DW		SEE SHEET 1	-	-	-	

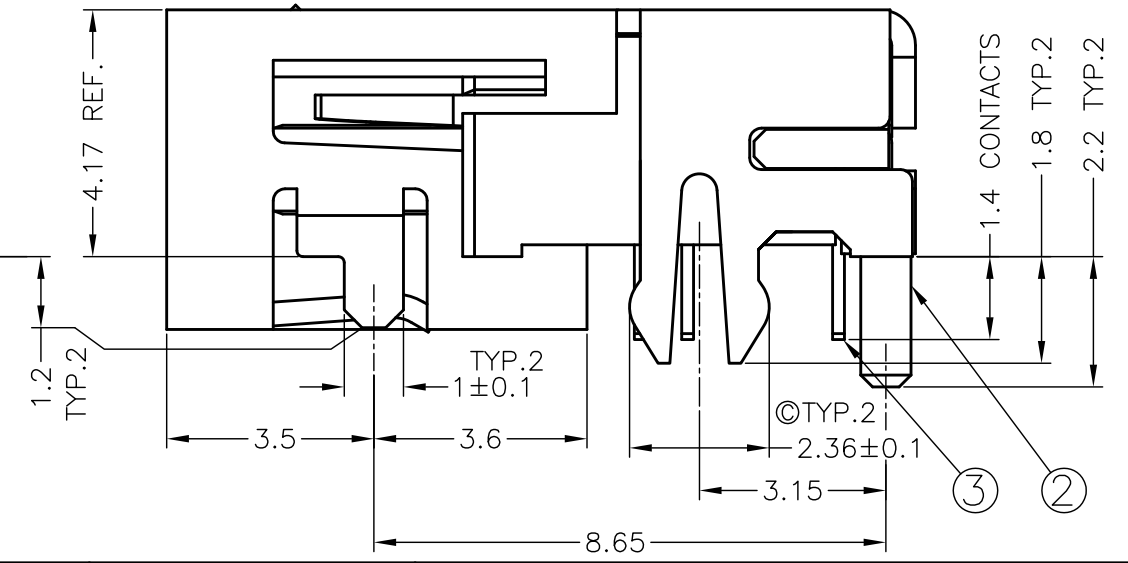
2129320-3 : AS SHOWN



- △ MATERIAL:**
 ① HOUSING: HIGH TEMPERATURE THERMAL PLASTIC, BLACK, UL94V-0.
 ② TINE PLATE: HIGH TEMPERATURE THERMAL PLASTIC, BLACK, UL94V-0.
 ③ CONTACT: COPPER ALLOY.
 ④ SHELL: STAINLESS STEEL.
- △ FINISH:**
CONTACT:
 CONTACT AREA: Au PLATING 0.38 um
 SOLDER TAIL AREA: MATTE TIN PLATING
 UNDER PLATING: NICKEL PLATING OVERALL
- SHELL:**
 MATTE TIN PL. ALL OVER
 NICKEL UNDERPLATING ALL OVER
- △ DATE CODE**
△ PICK & PLACE VACUUM AREA
 11. LOW HALOGEN SPECIFICATION
 CHLORINE(Cl) : 900 ppm MAX.
 BROMINE(Br) : 900 ppm MAX.



MOUNTING SURFACE

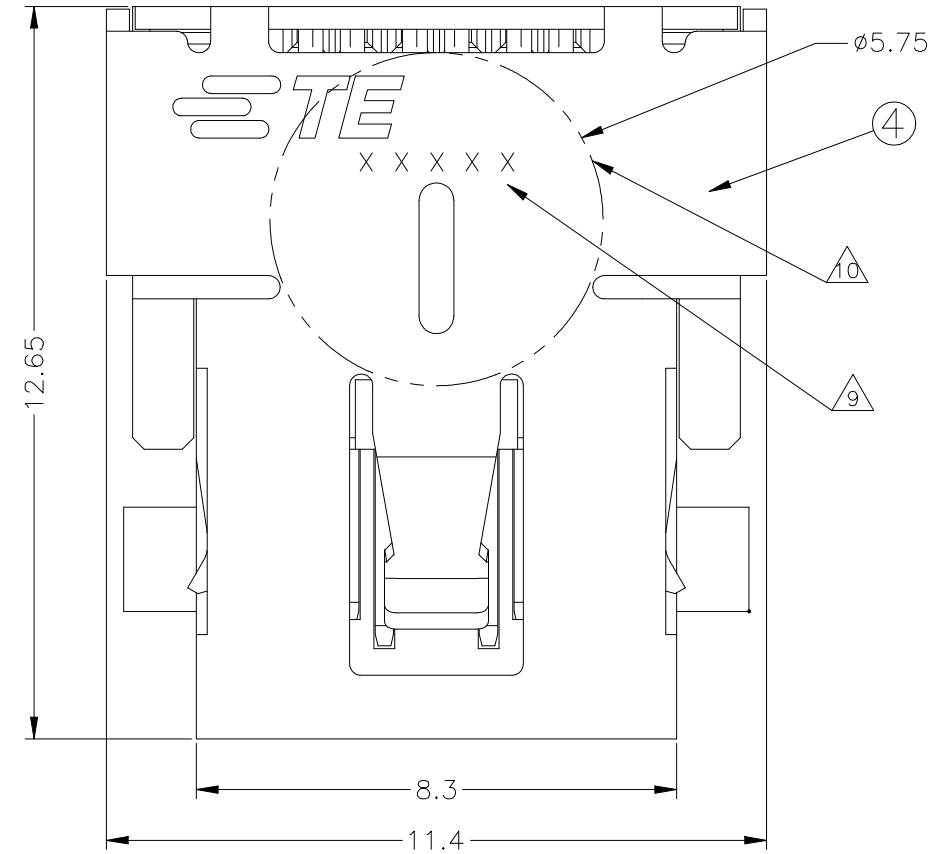


THIS DRAWING IS A CONTROLLED DOCUMENT.		DWN		STE TE Connectivity	
DIMENSIONS: mm		CHK			
TOLERANCES UNLESS OTHERWISE SPECIFIED:		APVD		NAME	
0 PLC ±		PRODUCT SPEC		MINI DISPLAYPORT	
1 PLC ±		APPLICATION SPEC		RECEPTACLE CONNECTOR	
2 PLC ± ±0.25		WEIGHT		4 ROW TH, REVERSED, OFFSET TYPE	
3 PLC ±		CUSTOMER DRAWING		SIZE CAGE CODE DRAWING NO RESTRICTED TO	
4 PLC ±		SCALE 8:1		A3 00779 C-2129320	
ANGLES ±3		SHEET 3 OF 5		REV D1	
FINISH SEE NOTE 8		MATERIAL SEE NOTE 7			

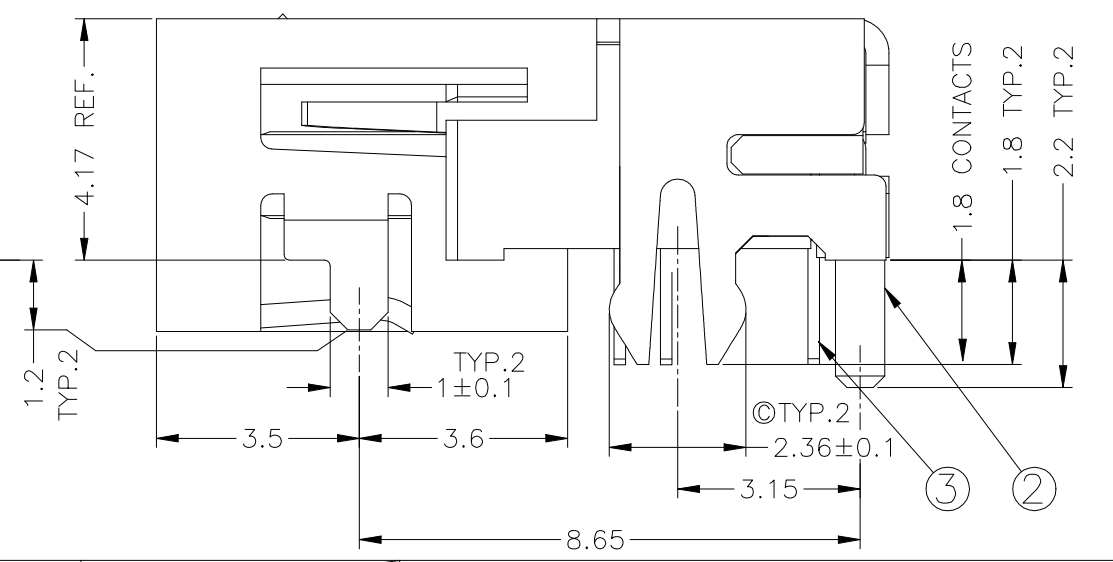
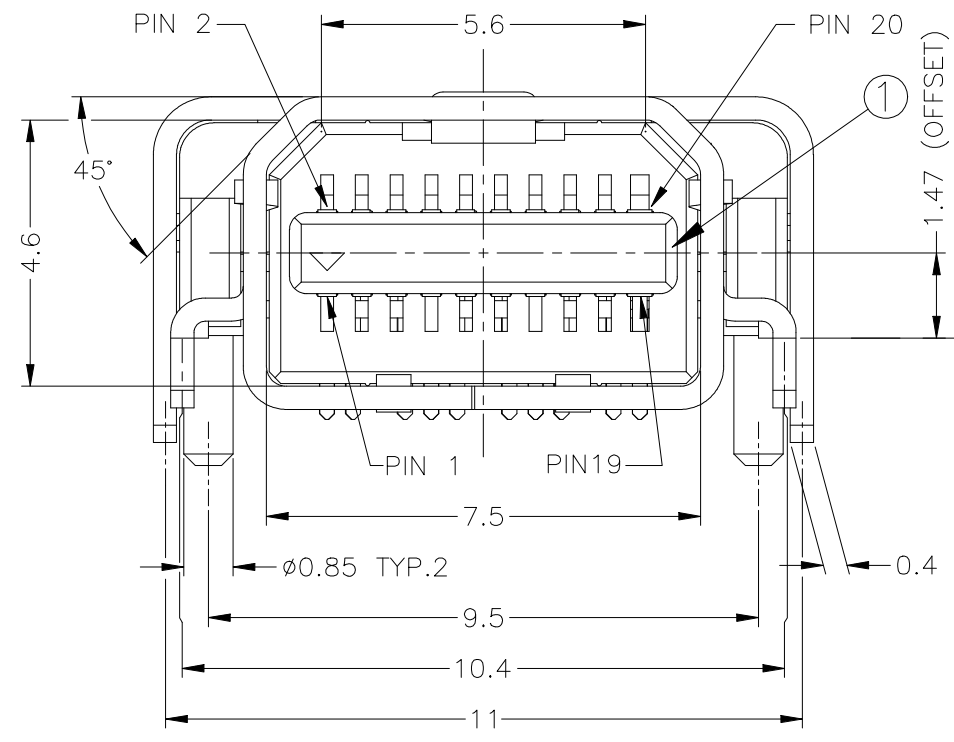
VIEW A

LOC DW	DIST	REVISIONS			
P	LTR	DESCRIPTION	DATE	DWN	APVD
-	-	SEE SHEET 1	-	-	-

2129320-4 : AS SHOWN



- MATERIAL:**
- ① HOUSING: HIGH TEMPERATURE THERMAL PLASTIC, BLACK, UL94V-0.
 - ② TINE PLATE: HIGH TEMPERATURE THERMAL PLASTIC, BLACK, UL94V-0.
 - ③ CONTACT: COPPER ALLOY.
 - ④ SHELL: STAINLESS STEEL.
- FINISH:**
- CONTACT:
- CONTACT AREA: Au PLATING 0.38 um
 - SOLDER TAIL AREA: MATTE TIN PLATING
 - UNDER PLATING: NICKEL PLATING OVERALL
- SHELL:
- MATTE TIN PL. ALL OVER
 - NICKEL UNDERPLATING ALL OVER
- DATE CODE**
- PICK & PLACE VACUUM AREA**
11. LOW HALOGEN SPECIFICATION
 CHLORINE(Cl) : 900 ppm MAX.
 BROMINE(Br) : 900 ppm MAX.



THIS DRAWING IS A CONTROLLED DOCUMENT.		DWN																			
DIMENSIONS: mm		CHK																			
TOLERANCES UNLESS OTHERWISE SPECIFIED:		APVD																			
<table border="0"> <tr><td>0 PLC</td><td>±</td><td>-</td></tr> <tr><td>1 PLC</td><td>±</td><td>-</td></tr> <tr><td>2 PLC</td><td>±</td><td>-</td></tr> <tr><td>3 PLC</td><td>±</td><td>-</td></tr> <tr><td>4 PLC</td><td>±</td><td>-</td></tr> <tr><td>ANGLES</td><td>±</td><td>3</td></tr> </table>		0 PLC	±			-	1 PLC	±	-	2 PLC	±	-	3 PLC	±	-	4 PLC	±	-	ANGLES	±	3
0 PLC	±	-																			
1 PLC	±	-																			
2 PLC	±	-																			
3 PLC	±	-																			
4 PLC	±	-																			
ANGLES	±	3																			
MATERIAL: SEE NOTE 7		FINISH: SEE NOTE 8		MINI DISPLAYPORT RECEPTACLE CONNECTOR 4 ROW TH, REVERSED, OFFSET TYPE																	
CUSTOMER DRAWING		SIZE: A3	CAGE CODE: 00779	DRAWING NO: C=2129320	RESTRICTED TO																
		SCALE: 8:1	SHEET: 4 OF 5	REV: D1																	

Mouser Electronics

Authorized Distributor

Click to View Pricing, Inventory, Delivery & Lifecycle Information:

[TE Connectivity:](#)

[2129320-3](#)