

LOC DW

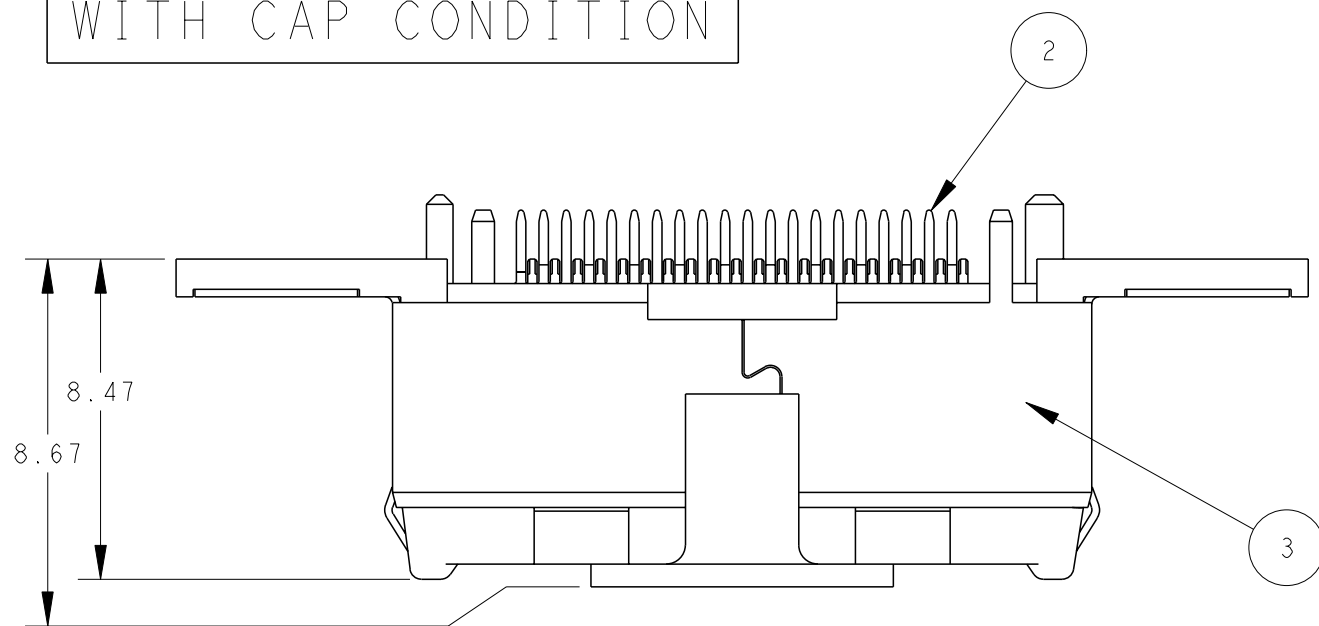
DIST

REVISIONS

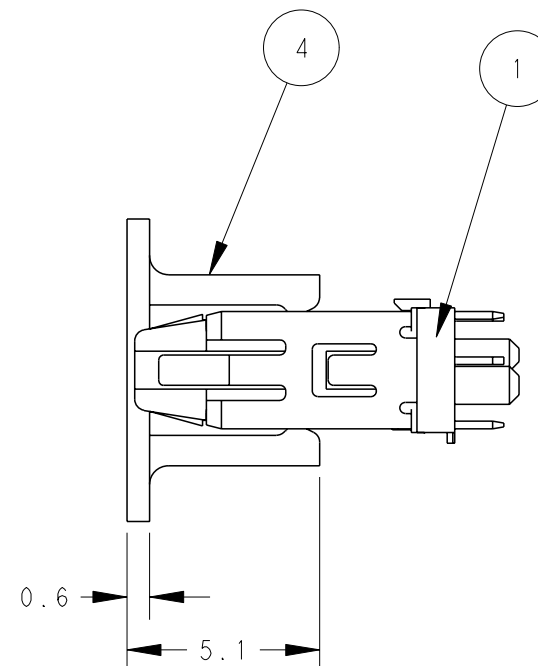
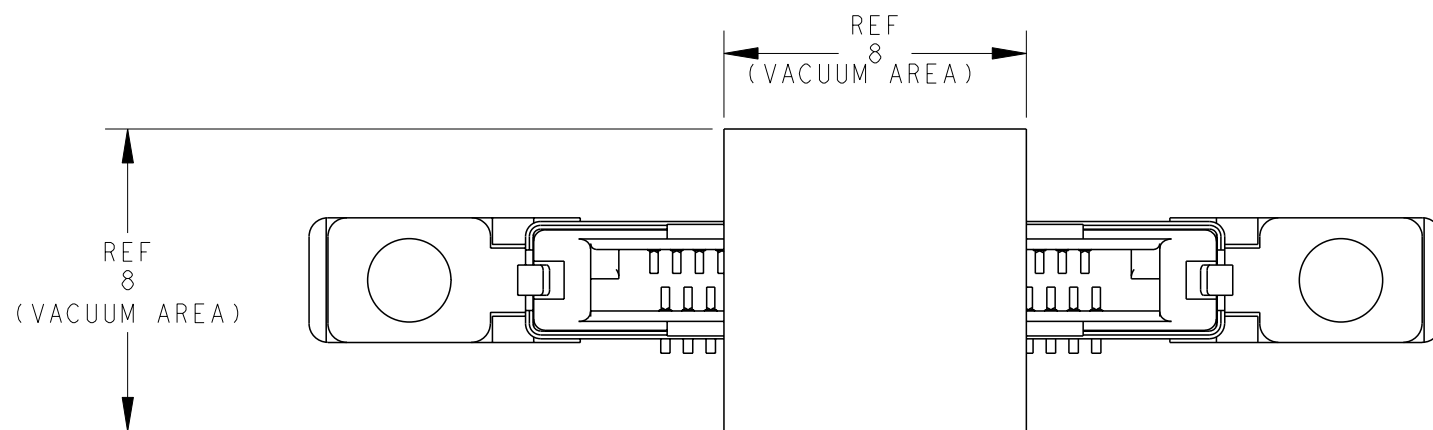
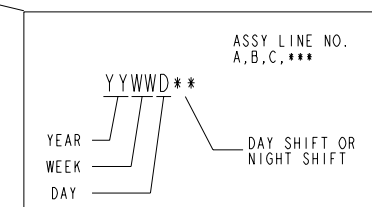
P	LTR	DESCRIPTION	DATE	DWN	APVD
B		REVISED (ECR-11-013643)	30JUN2011	T.K	H.K

WITH CAP CONDITION

2129261-1; AS SHOWN



- ① MATERIAL: HOUSING: THERMO-PLASTIC(UL94V-0, BLACK).
CONTACT: COPPER ALLOY.
SHELL: STAINLESS STEEL.
CAP: THERMO-PLASTIC(UL94V-0, BLACK).
- ② FINISH:
CONTACT: ALL OVER 2um MIN. Ni UNDER PLATING.
0.38um MIN. Au PLATING ON CONTACT AREA.
1~3um Tin PLATING ON TINE AREA.
SHELL: ALL OVER 1.3um MIN. Ni UNDER PLATING.
- 3. LOW HALOGEN SPECIFICATION
CHLORINE(Cl) : 900 ppm MAX.
BROMINE(Br) : 900 ppm MAX.
- ④ DATE CODE



Q'TY	NAME	ITEM
1	CAP	④
1	SHELL	③
40	CONTACT	②
1	HOUSING	①

THIS DRAWING IS A CONTROLLED DOCUMENT.

DIMENSIONS:	TOLERANCES UNLESS OTHERWISE SPECIFIED:
mm	
	0 PLC ±
	1 PLC ± ±0.25
	2 PLC ± ±3°
	3 PLC ±
	4 PLC ±
	ANGLES ±

MATERIAL	FINISH
①	②

DWN	T.KUO	21MAR2011
CHK	V.PENG	21MAR2011
APVD	H.KODAMA	21MAR2011
PRODUCT SPEC	108-99033	
APPLICATION SPEC		
WEIGHT	1.14	

STE TE Connectivity			
NAME PLUG ASSY, 0.6mm PITCH CHAMP DOCKING CONNECTOR, 40POS			
SIZE	CAGE CODE	DRAWING NO	RESTRICTED TO
A3	00779	C=2129261	-

CUSTOMER DRAWING	SCALE 5:1	SHEET 1 OF 5	REV B
------------------	-----------	--------------	-------

4

3

2

1

THIS DRAWING IS UNPUBLISHED.

RELEASED FOR PUBLICATION

20

© COPYRIGHT 20 BY -

ALL RIGHTS RESERVED.

LOC
DW

DIST

REVISIONS

P

LTR

DESCRIPTION

DATE

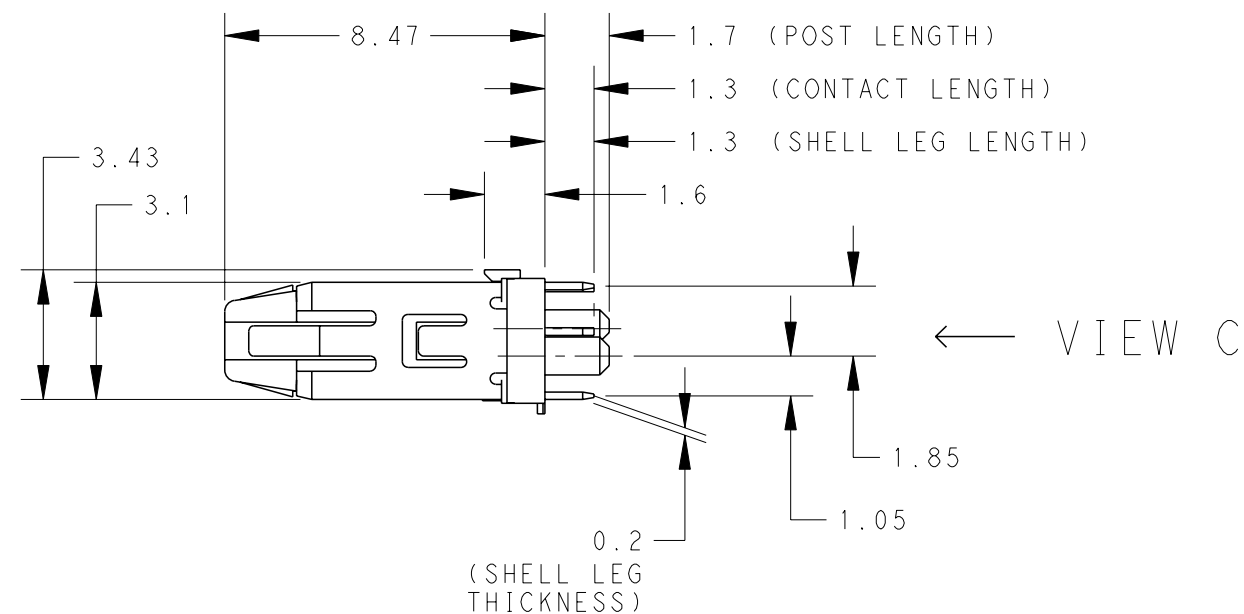
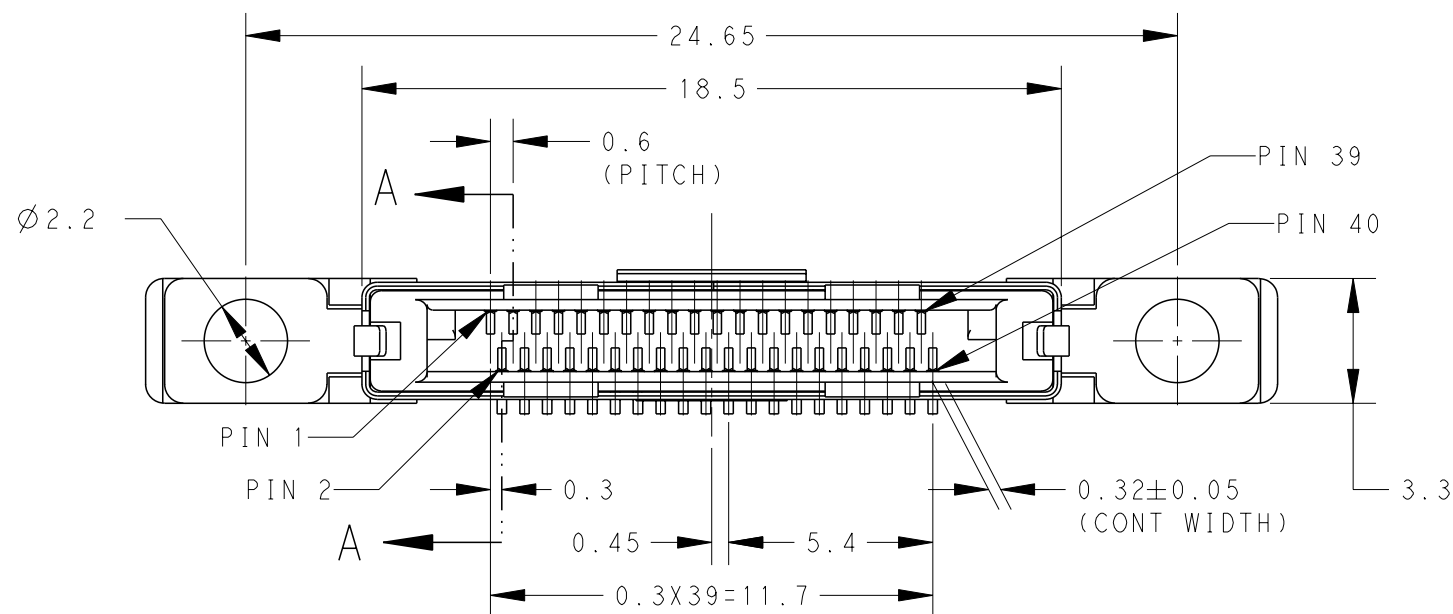
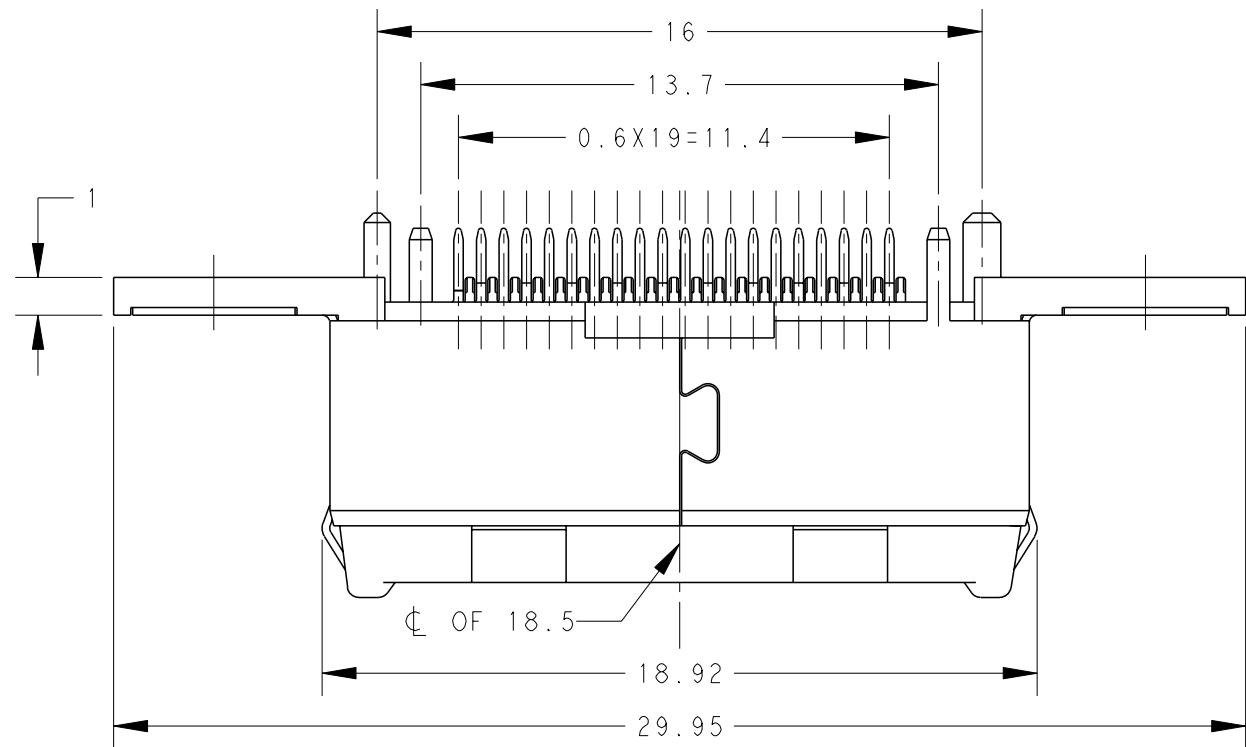
DWN

APVD

SEE SHEET 1

2129261-1; AS SHOWN

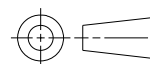
W/O CAP CONDITION



VIEW B

THIS DRAWING IS A CONTROLLED DOCUMENT.

DIMENSIONS:
mm



TOLERANCES UNLESS OTHERWISE SPECIFIED:

0 PLC	±	±0.25
1 PLC	±	±0.25
2 PLC	±	±3°
3 PLC	±	±3°
4 PLC	±	±3°
ANGLES	±	±
FINISH	-	-

MATERIAL

DWN	-
CHK	-
APVD	-
PRODUCT SPEC	-
APPLICATION SPEC	-
WEIGHT	0.97g
CUSTOMER DRAWING	-

STE TE Connectivity

NAME
PLUG ASSY, 0.6mm PITCH
CHAMP DOCKING CONNECTOR, 40POS

SIZE	CAGE CODE	DRAWING NO	RESTRICTED TO
A3	00779	C=2129261	-
SCALE	SHEET	OF	REV
5:1	2	5	B

4

3

2

1

THIS DRAWING IS UNPUBLISHED.

RELEASED FOR PUBLICATION

20

© COPYRIGHT 20

BY -

ALL RIGHTS RESERVED.

LOC
DW

DIST

REVISIONS

P

LTR

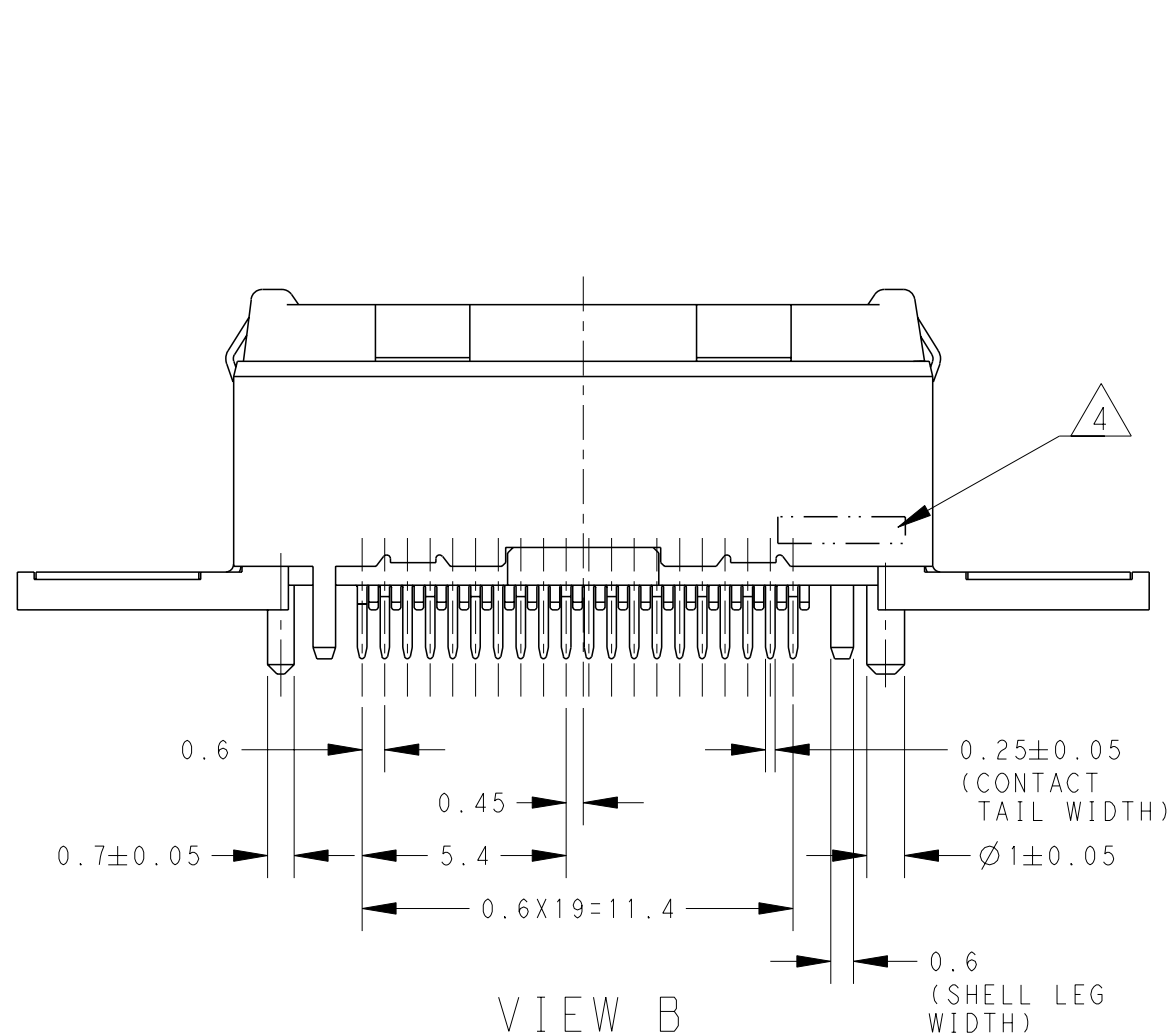
DESCRIPTION

DATE

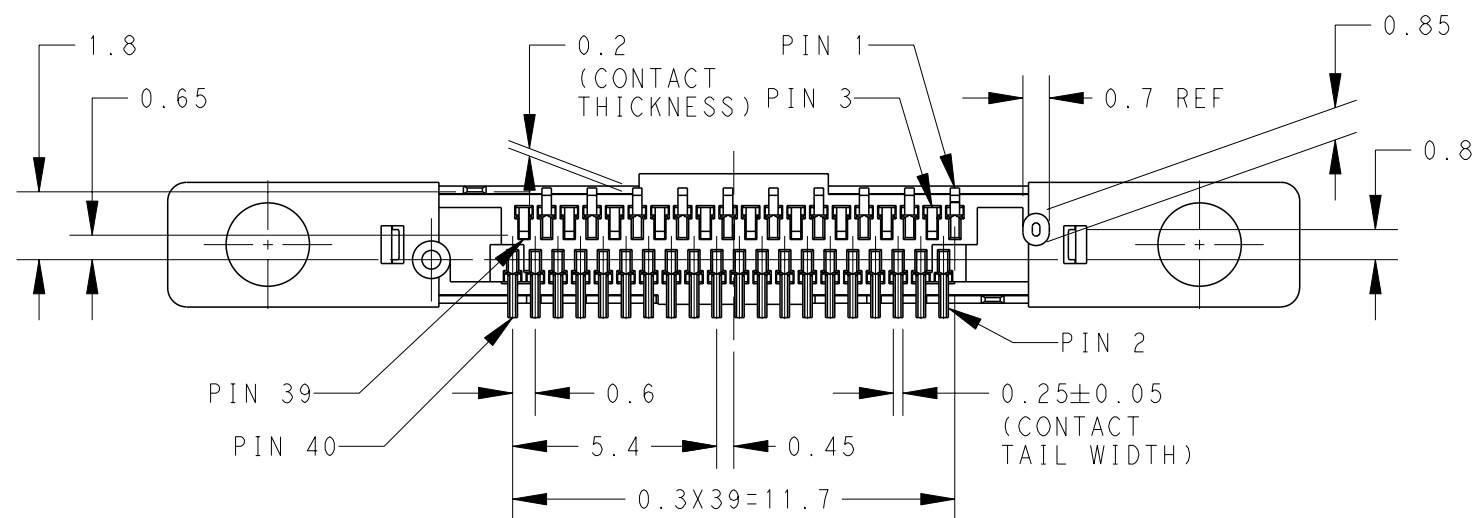
DWN

APVD

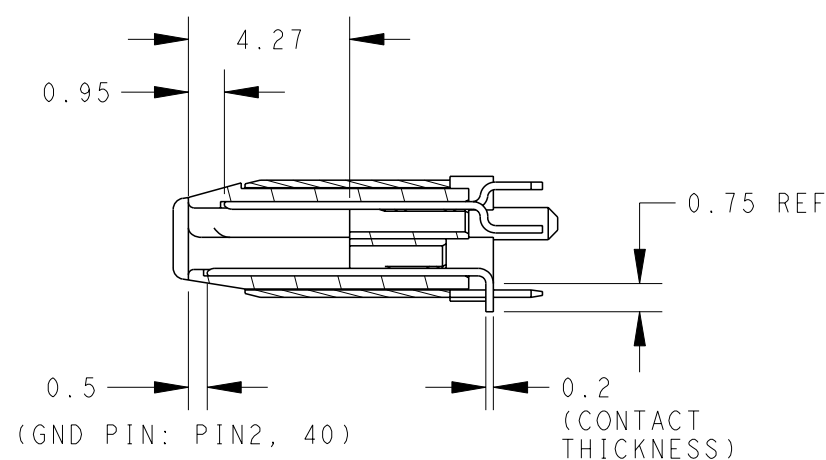
SEE SHEET 1



VIEW B



VIEW C

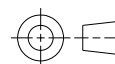


SECTION A-A

THIS DRAWING IS A CONTROLLED DOCUMENT.

DIMENSIONS:

mm



TOLERANCES UNLESS OTHERWISE SPECIFIED:

0 PLC	±	±0.25
1 PLC	±	±0.25
2 PLC	±	±3°
3 PLC	±	±3°
4 PLC	±	±3°
ANGLES	±	±
FINISH	-	-

MATERIAL

-

FINISH

-

DWN

CHK

APVD

PRODUCT SPEC

APPLICATION SPEC

WEIGHT

CUSTOMER DRAWING



TE Connectivity

NAME

PLUG ASSY, 0.6mm PITCH
CHAMP DOCKING CONNECTOR, 40POS

SIZE

CAGE CODE

DRAWING NO

RESTRICTED TO

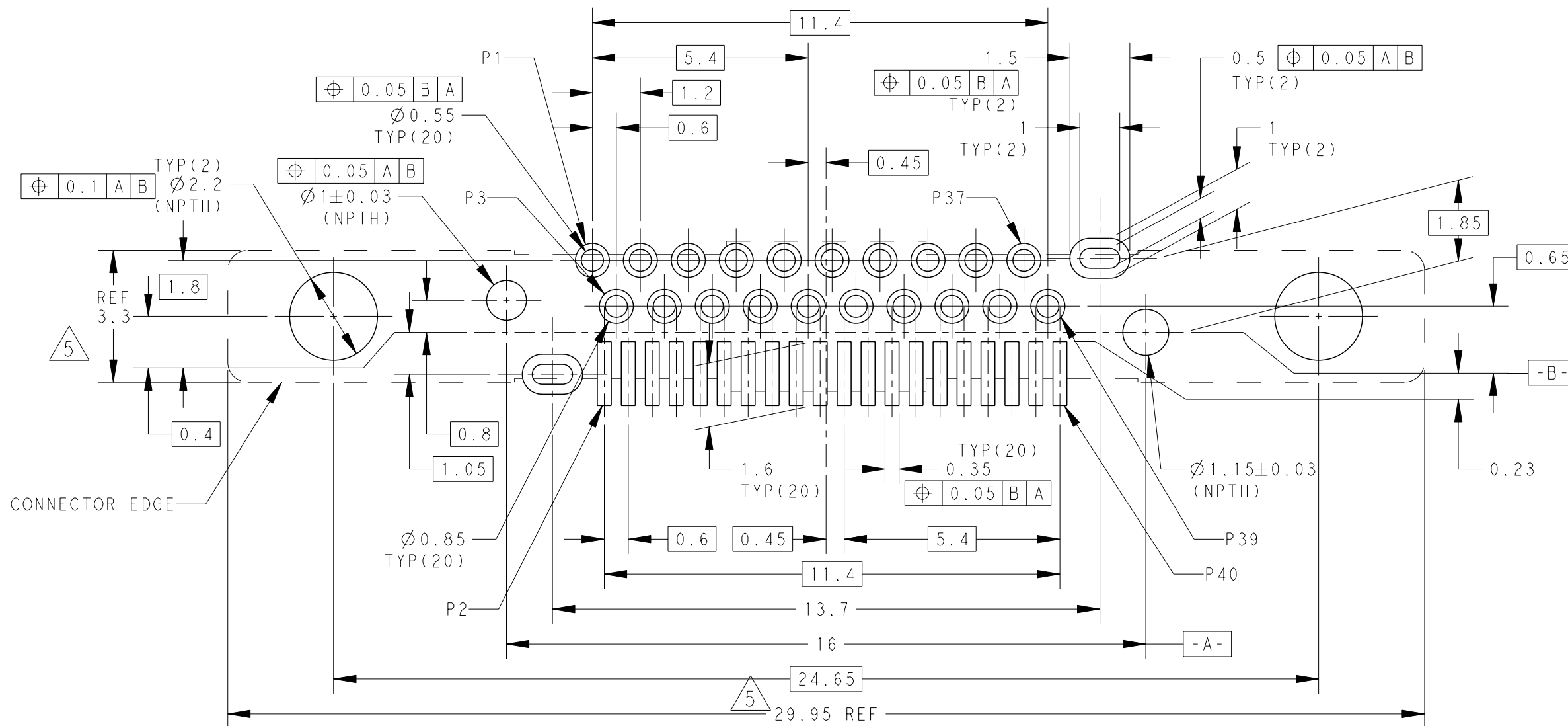
A300779

C=2129261

SCALE 5:1

SHEET 3 OF 5

REV B



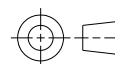
RECOMMENDED P.C. BOARD LAYOUT (TOP VIEW)

5 CONNECTOR OUTLINE

THIS DRAWING IS A CONTROLLED DOCUMENT.

DIMENSIONS:

mm



TOLERANCES UNLESS OTHERWISE SPECIFIED:

- 0 PLC ± ±0.05
- 1 PLC ± ±0.05
- 2 PLC ± ±3°
- 3 PLC ± ±
- 4 PLC ± ±
- ANGLES ± ±
- FINISH -

MATERIAL

DWN	-
CHK	-
APVD	-
PRODUCT SPEC	-
APPLICATION SPEC	-
WEIGHT	-



TE Connectivity

NAME
PLUG ASSY, 0.6mm PITCH
CHAMP DOCKING CONNECTOR, 40POS

SIZE	CAGE CODE	DRAWING NO	RESTRICTED TO
------	-----------	------------	---------------

A3	00779	C=2129261	-
----	-------	-----------	---

CUSTOMER DRAWING

SCALE 8:1

SHEET 4 OF 5

REV B

4

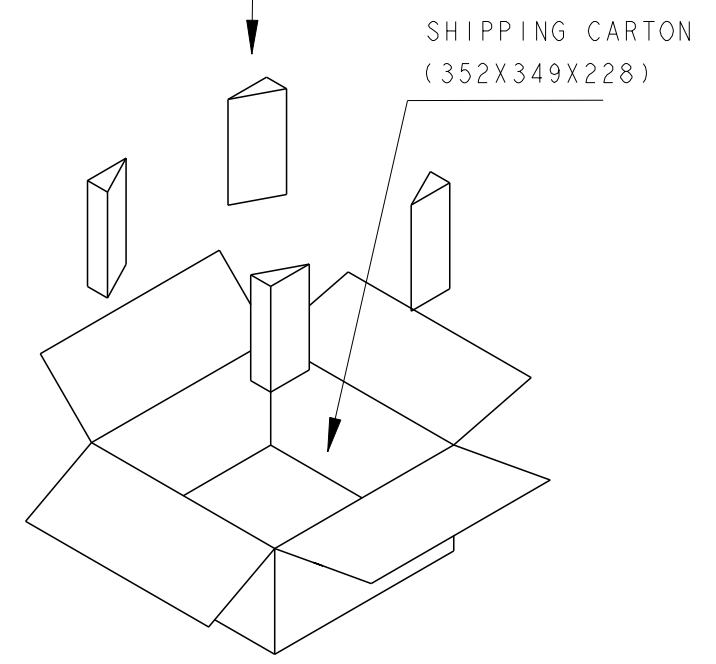
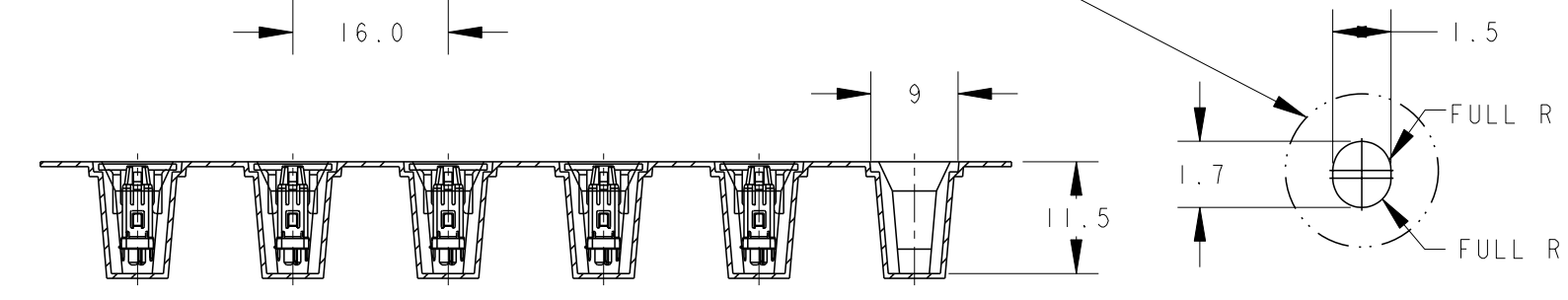
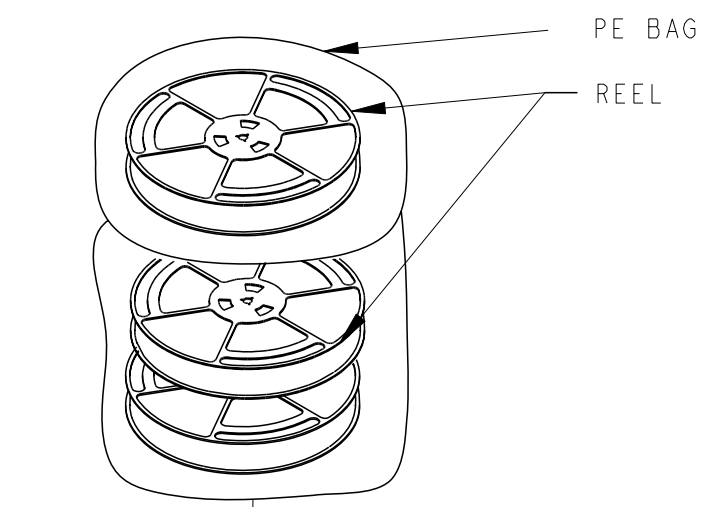
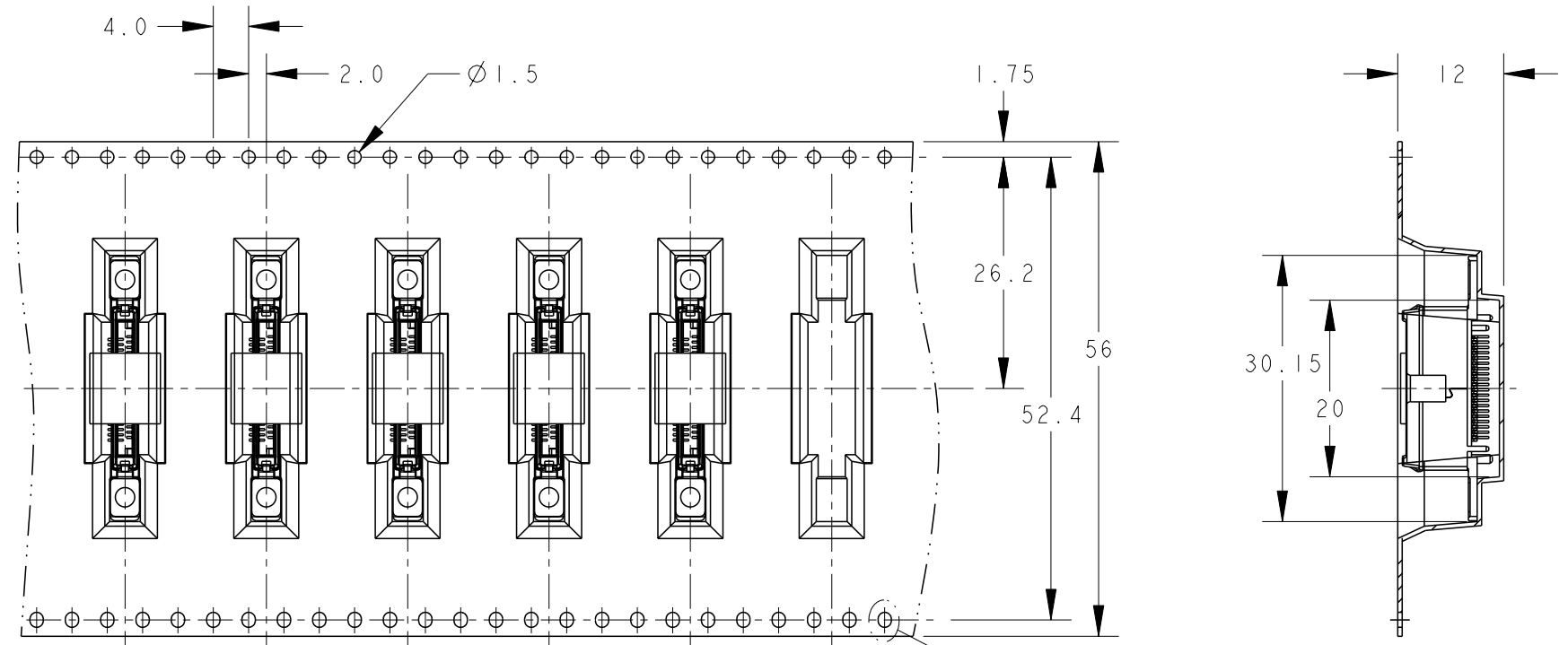
3

2

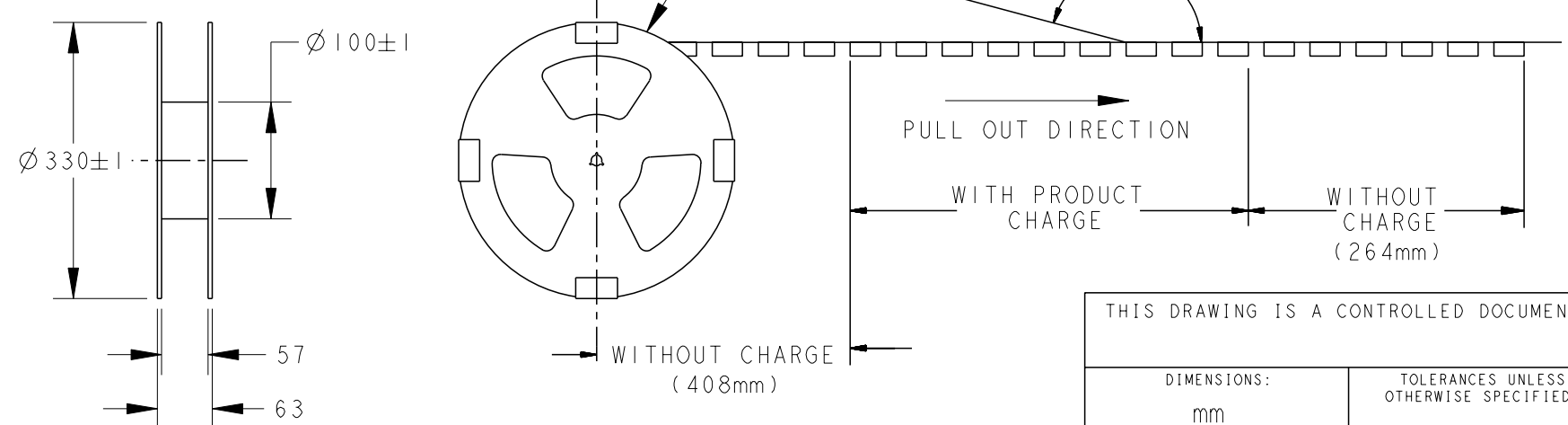
1

THIS DRAWING IS UNPUBLISHED. RELEASED FOR PUBLICATION 20
 © COPYRIGHT 20 BY - ALL RIGHTS RESERVED.

LOC	DIST	REVISIONS					
DW	-	P	LTR	DESCRIPTION	DATE	DWN	APVD
				SEE SHEET 1			



AROUND THE OUTER PERIPHERY IN A TURN.
 WEEDING THE COVER TAPE
 PEELING ANGLE: 165°~180°



6. PACKING MATERIAL:
 CARRY TAPE: PS; COLOR:BLACK.
 COVER TAPE: PET; COLOR: CLEAR.
 PEELING STRENGTH OF COVER TAPE: 0.2N~1.2N

300	3	900
PCS/ TAPE	REELS/ CARTON	TOTAL QUANTITY

THIS DRAWING IS A CONTROLLED DOCUMENT.		DWN	-	 TE Connectivity	
DIMENSIONS: mm		CHK	-		
TOLERANCES UNLESS OTHERWISE SPECIFIED:		APVD	-		
0 PLC ± 1 PLC ± ±0.5 2 PLC ± ±3° 3 PLC ± 4 PLC ± ANGLES ± FINISH -		PRODUCT SPEC	-		
MATERIAL -		APPLICATION SPEC	-	NAME PLUG ASSY, 0.6mm PITCH CHAMP DOCKING CONNECTOR, 40POS	
		WEIGHT	-	SIZE	A3
		CUSTOMER DRAWING	-	CAGE CODE	00779
			-	DRAWING NO	C=2129261
			-	RESTRICTED TO	-
			-	SCALE	5:1
			-	SHEET	5 OF 5
			-	REV	B

Mouser Electronics

Authorized Distributor

Click to View Pricing, Inventory, Delivery & Lifecycle Information:

[TE Connectivity:](#)

[2129261-1](#)