

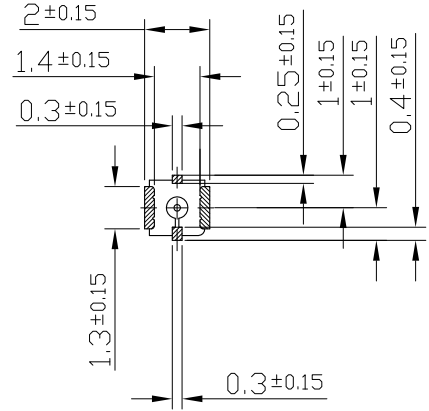
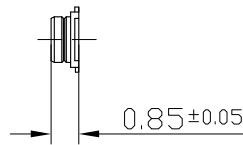
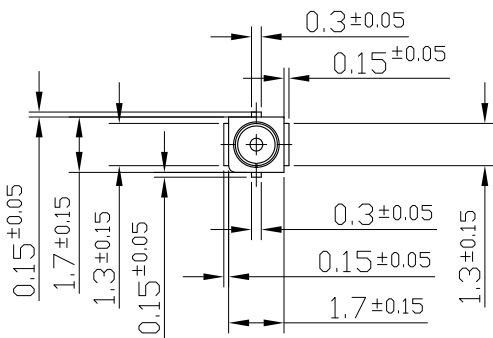
ISD NO: EDW-11-8-536

REV	ZONE	DESCRIPTION	ENG	APPROVED	ISSUED DATE
A	ALL	Initial Design	Kiwi	Joanna	2011/10/3
B	B3	Amend Font type	Kiwi	Joanna	2011/11/9
C	G3	Amend drawing content	Sandy	Joanna	2011/11/16
D	G3	Amend PCS foot print	Raisa	Joanna	2014/04/01
E	G3	Amend PCS foot print	Kim	Wayne	2014/09/12

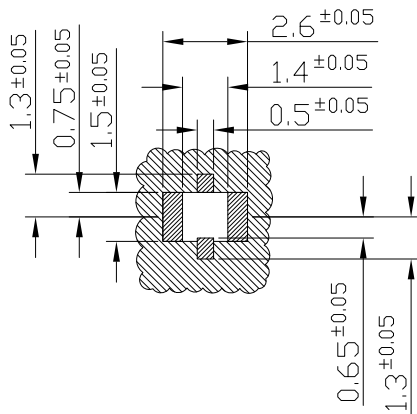
Top

Side

Bottom



PCB Footprint

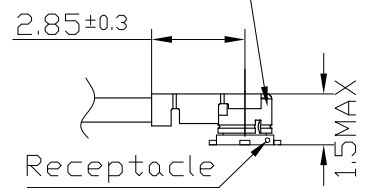


Note:

1. BOM No: 204311J000029A A

Mated View

IPEX MHFIII PLUG



Note:  
 1. Soldered Area.   
 2. Solder Mask.   
 3. Clearance Area.

UNLESS OTHERWISE SPECIFIED TOLERANCES ON:  
 .X ± 1.0  
 XX ± 5.0 .XX ± 0.5  
 X ± 3.0 .XXX ± 0.1

DATE: 2011/10/3

MAT'L: Brass

UNIT: mm

FINISH: Gold

THIRD ANGLE PROJECTION

SCALE: 4/1

**taoglas**  
 antenna solutions

TW Design Centre  
 This drawing and its inherent design concepts are property of Taoglas. Not to be copied or given to third parties without the written consent of Taoglas.

REV

E

APPROVED BY: CHECKED BY: DRAWN BY: CUSTOMERS SIGNATURE / DATE

Joanna

Jimmy

Kiwi

TITLE: IPEX MHFIII Receptacle

PART NO: RECE.20369.001E.01

# Mouser Electronics

Authorized Distributor

Click to View Pricing, Inventory, Delivery & Lifecycle Information:

Taoglas:

[RECE-20369-001E-01](#)