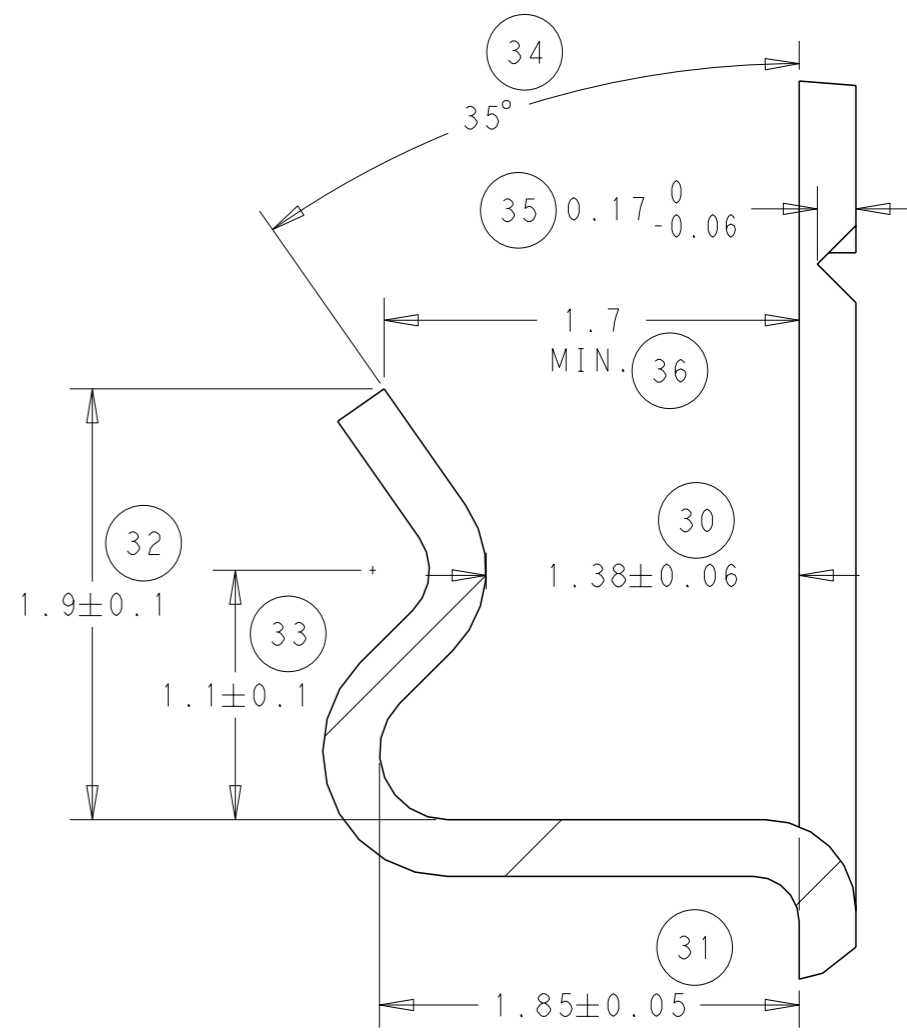
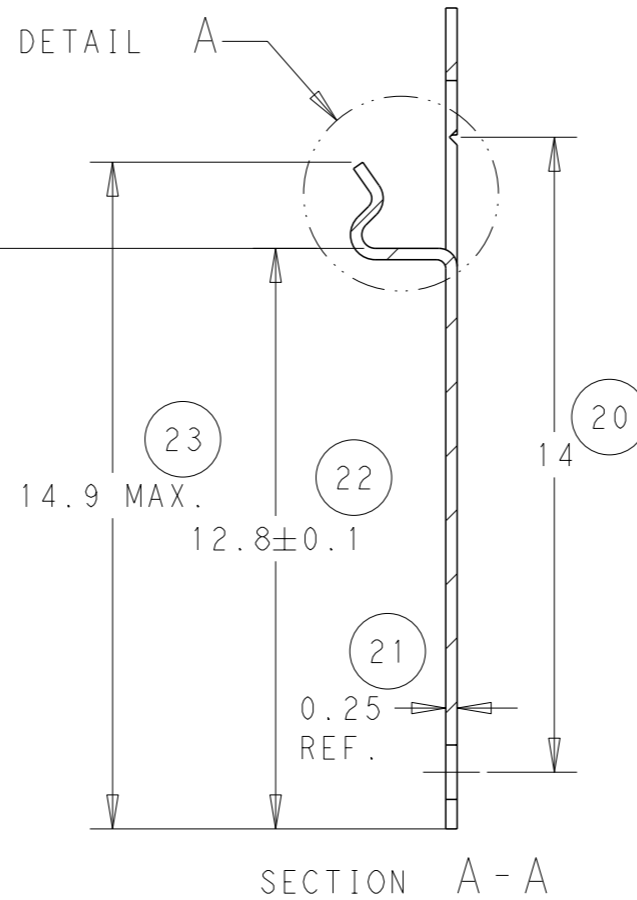
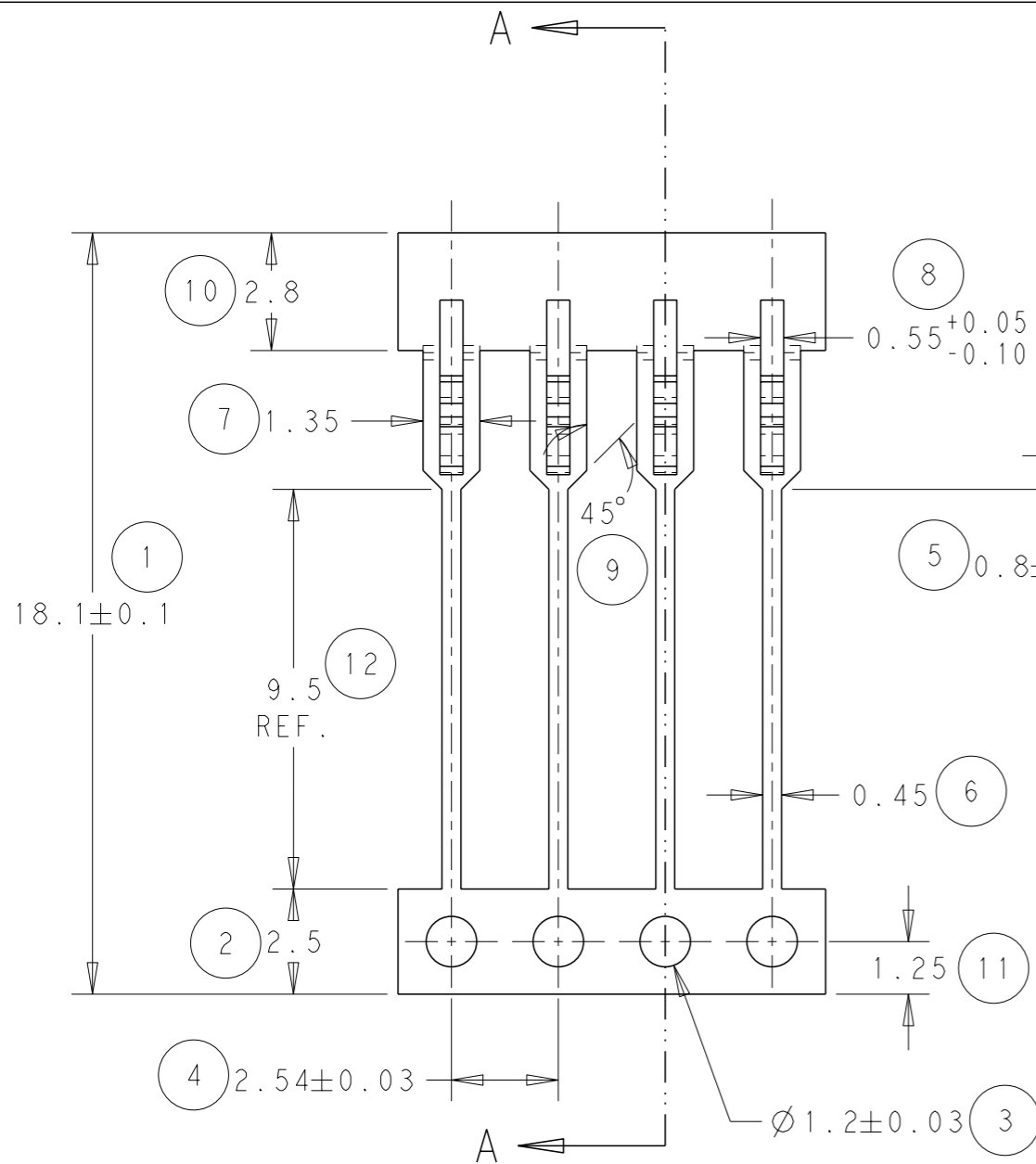
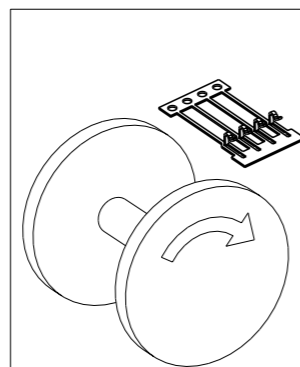
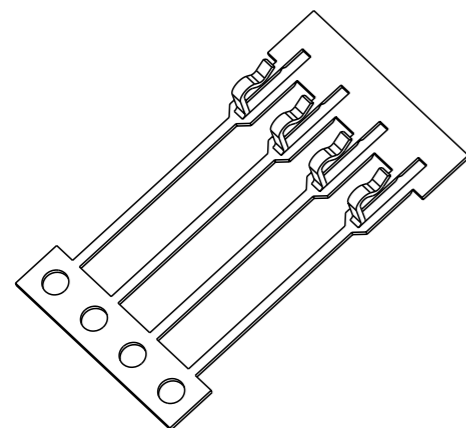


LOC	DIST	REVISIONS				
P	LTR	DESCRIPTION	DATE	DWN	APVD	
B	-	E	ECR-11-019441	22/09/11	JB	MG




NOTE
 BOWING: AFTER UPPER TIE BAR REMOVAL - 1.5mm MAX. FOR 500mm
 PITCH: AFTER UPPER TIE BAR REMOVAL - 2.54 ± 0.127



DIRECTION "0"
 CONTACTS DOWN
 DIRECTION "1"
 CONTACTS UPWARDS
 DIRECTION

THIS DRAWING IS A CONTROLLED DOCUMENT.

DIMENSIONS:	TOLERANCES UNLESS OTHERWISE SPECIFIED:
mm	0 PLC ±-
	1 PLC ±-
	2 PLC ±0.05
	3 PLC ±-
	4 PLC ±-
	ANGLES ±0.5
MATERIAL	FINISH -
SEE ABOVE	

0	Ni & Sn	1544296-1
REELING	FINISH	PART NUMBER
DWN J. BRIGHT 22/09/11	 TE Connectivity NAME SIL LEADFRAME - - -	
CHK M. GREENER 22/09/11		
APVD D. PENNINGTON 22/09/11		
PRODUCT SPEC		
APPLICATION SPEC	SIZE A3	CAGE CODE 00779
WEIGHT -	DRAWING NO C-1544296	RESTRICTED TO -
CUSTOMER DRAWING	SCALE NTS	SHEET 1 OF 1 REV E

Mouser Electronics

Authorized Distributor

Click to View Pricing, Inventory, Delivery & Lifecycle Information:

[TE Connectivity:](#)

[1544296-1](#)