

THIS DRAWING IS UNPUBLISHED.

RELEASED FOR PUBLICATION

2011

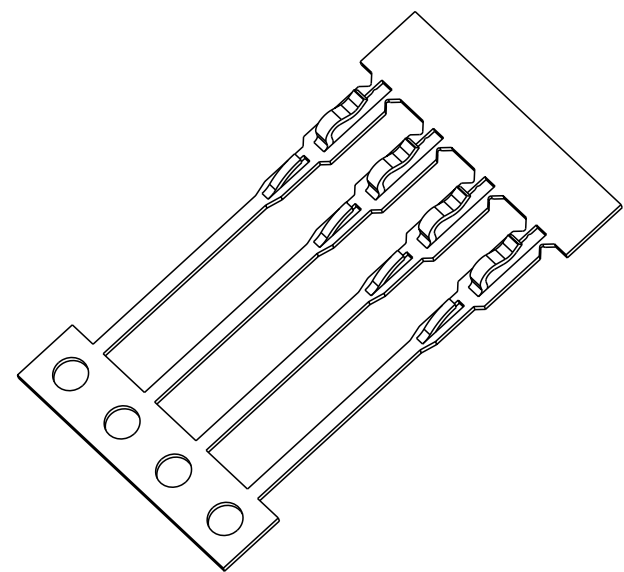
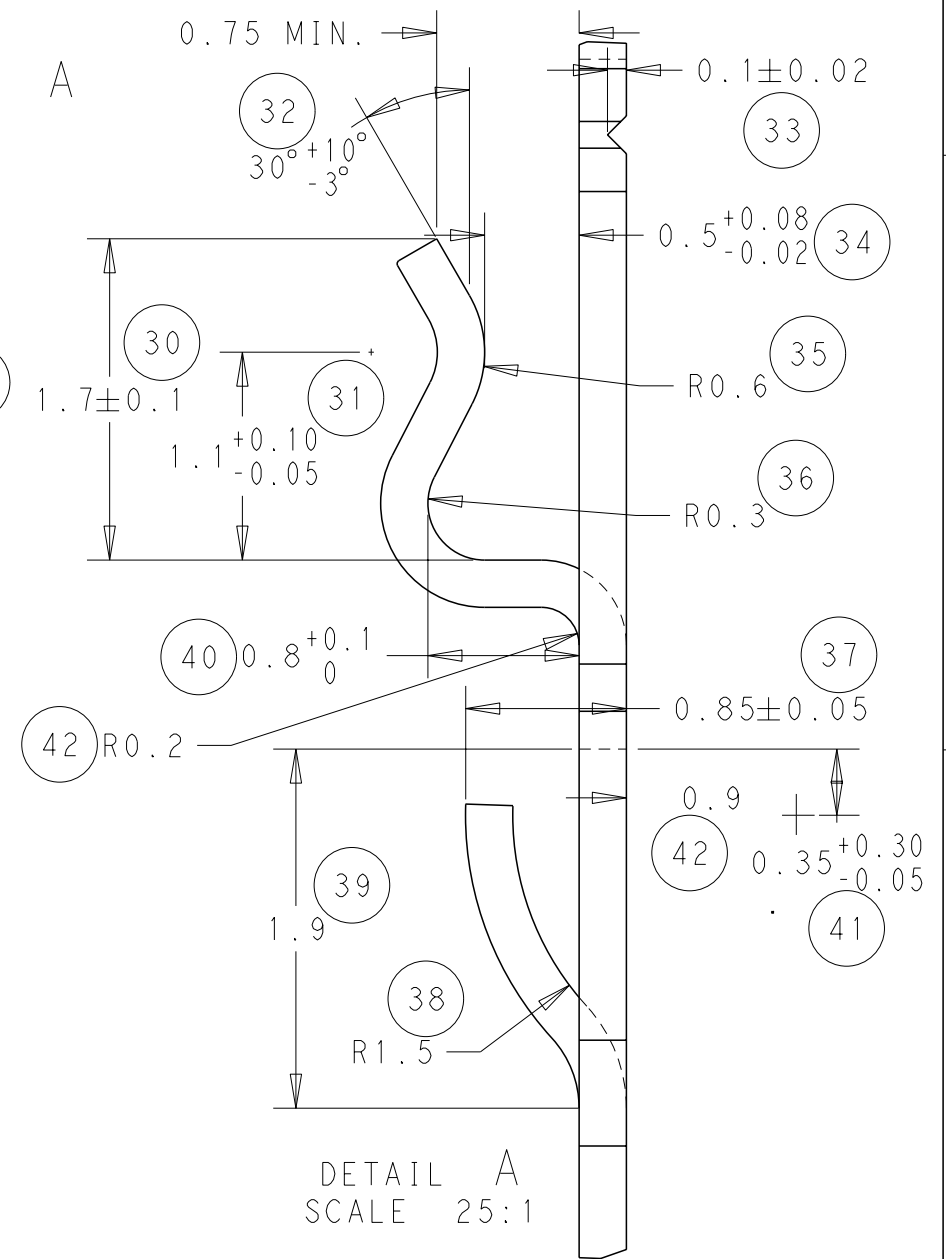
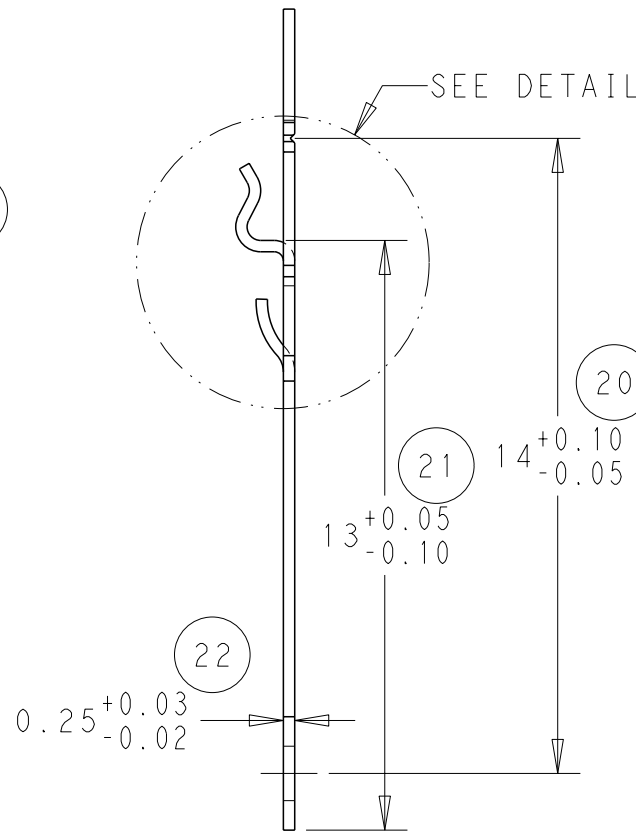
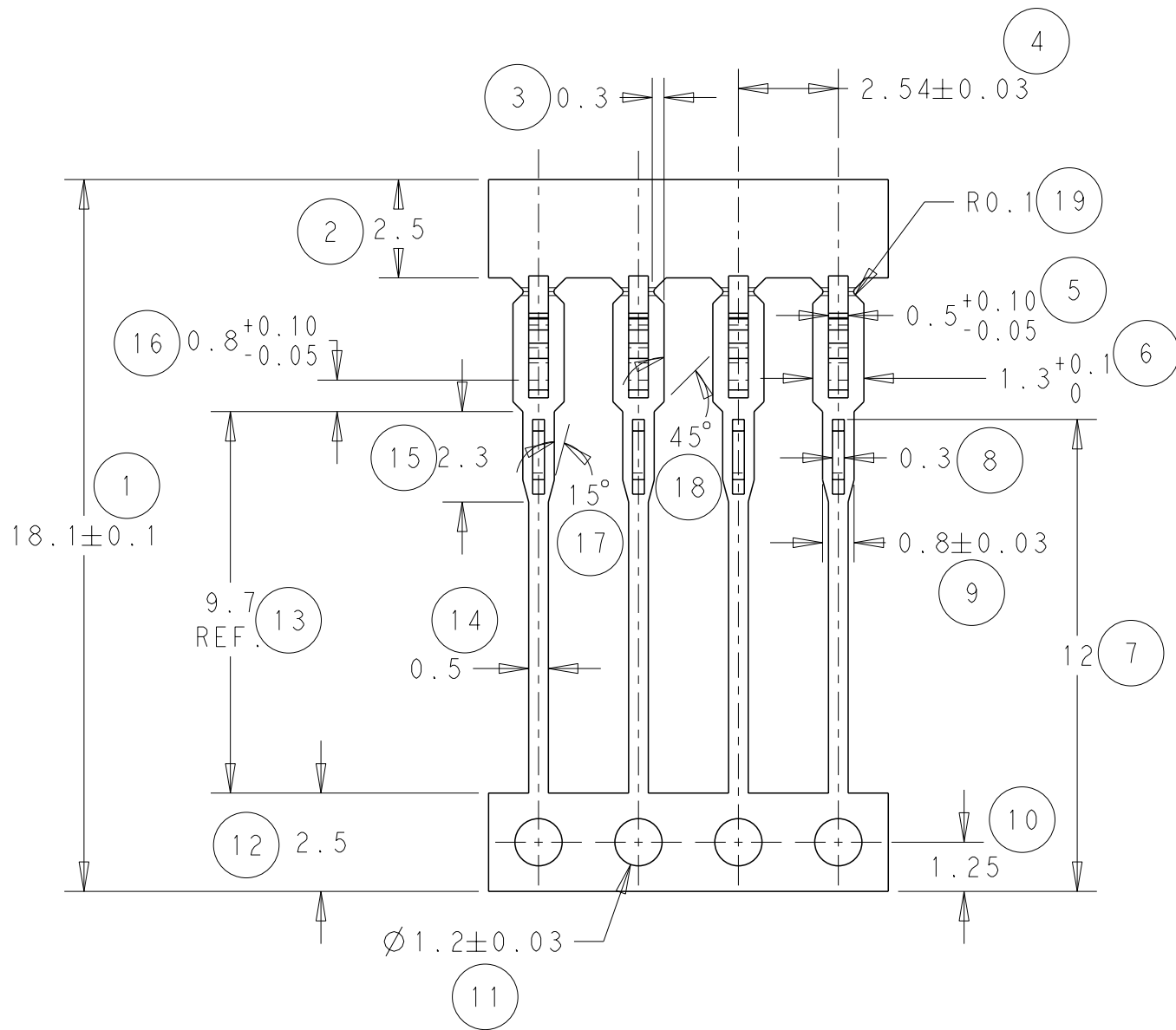
© COPYRIGHT 2011 TE CONNECTIVITY

ALL RIGHTS RESERVED.

LOC B DIST -

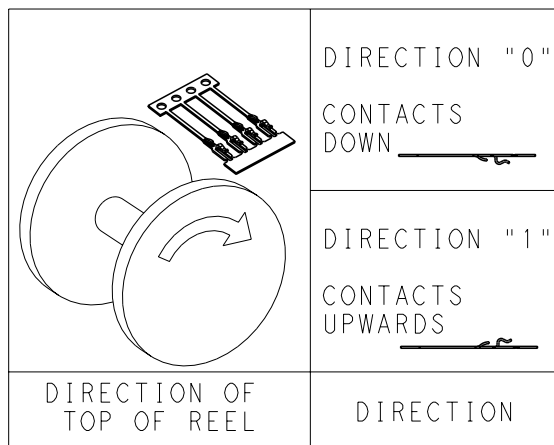
REVISIONS

P	LTR	DESCRIPTION	DATE	DWN	APVD
D		ECR-11-018847	13/09/11	JB	MG
E		ECR-11-019621	11/10/11	JB	MG
F		ECR-12-016823	25/09/12	JB	MG



SCALE 4:1

NOTE
 BOWING: AFTER UPPER TIE BAR REMOVAL - 1.5mm MAX. FOR 500mm
 PITCH: AFTER UPPER TIE BAR REMOVAL - 2.54±0.127



THIS DRAWING IS A CONTROLLED DOCUMENT.

DIMENSIONS: mm

TOLERANCES UNLESS OTHERWISE SPECIFIED:

0 PLC	±-
1 PLC	±-
2 PLC	±0.05
3 PLC	±-
4 PLC	±-
ANGLES	±0.5
FINISH	-

MATERIAL SEE ABOVE.

DWN	J. BRIGHT	22/08/11
CHK	M. GREENER	22/08/11
APVD	D. PENNINGTON	22/08/11
PRODUCT SPEC	-	-
APPLICATION SPEC	-	-
WEIGHT	-	-

0	Sn	1544281-1
REELING	FINISH	PART NUMBER
TE TE Connectivity		
NAME SIL CONTACT		
SIZE	CAGE CODE	DRAWING NO
A300779	C=1544281	-
CUSTOMER DRAWING		SCALE NTS SHEET 1 OF 1 REV F

Mouser Electronics

Authorized Distributor

Click to View Pricing, Inventory, Delivery & Lifecycle Information:

[TE Connectivity:](#)

[1544281-1](#)