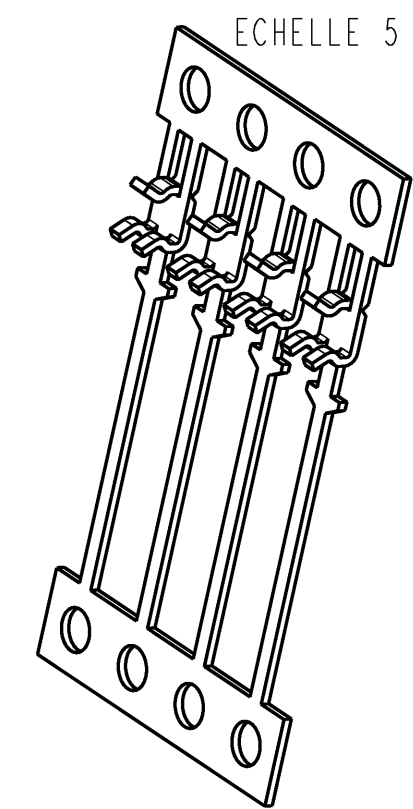
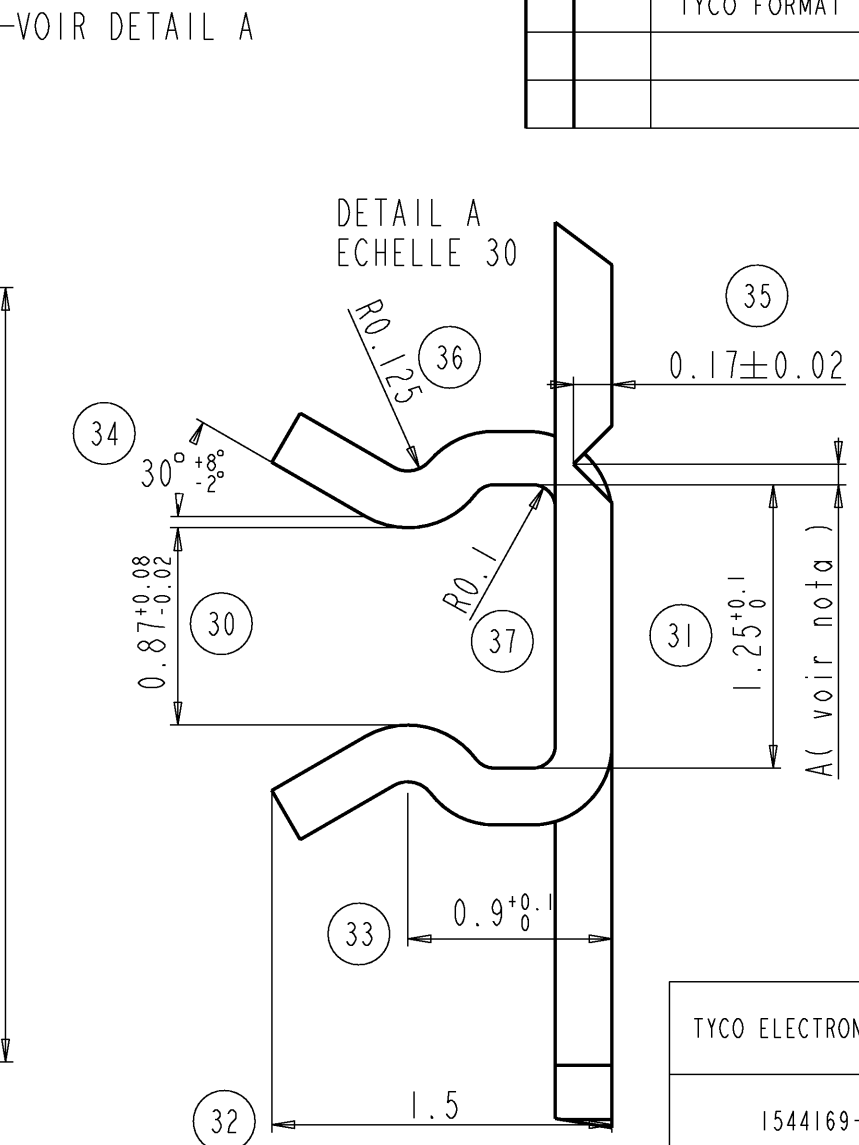
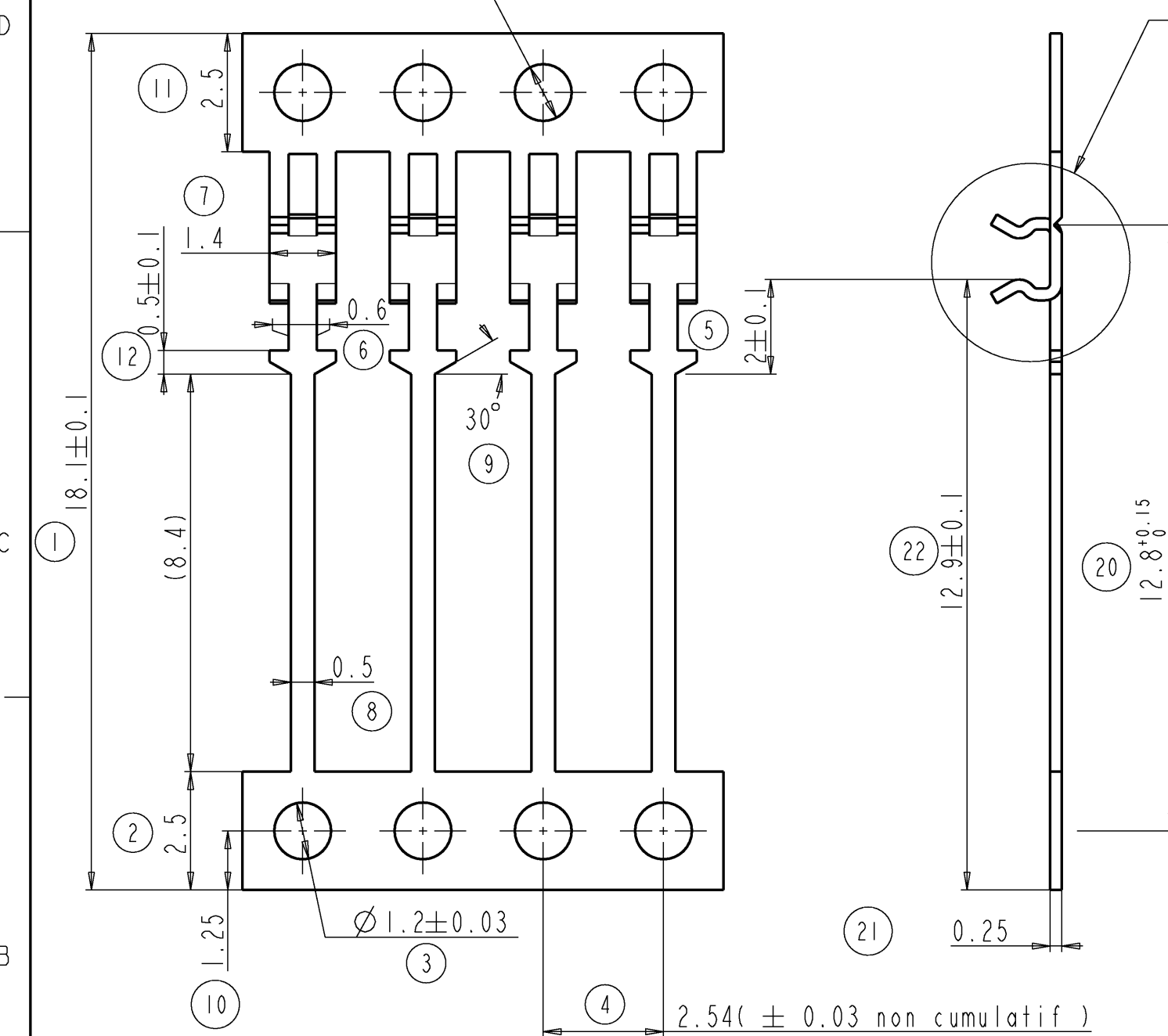


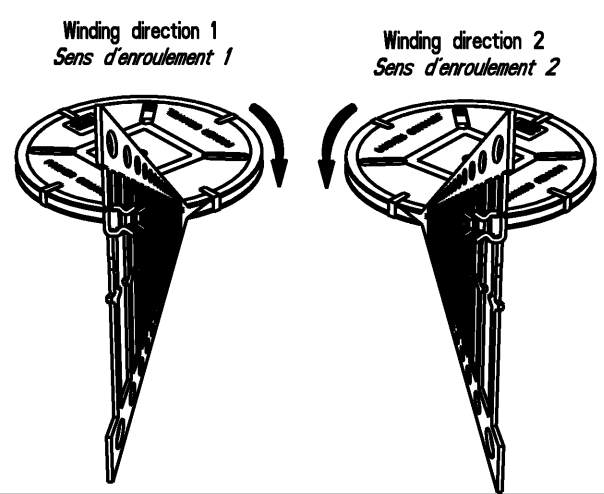
THIS DRAWING IS UNPUBLISHED. RELEASED FOR PUBLICATION 2008  
 © COPYRIGHT 2008 BY TYCO ELECTRONICS CORPORATION. ALL RIGHTS RESERVED.

LOC	DIST	REVISIONS			
P	LTR	DESCRIPTION	DATE	DWN	APVD
F	00	F	DRAFTING DETAIL UPDATE	02DEC2008	LCi JD r
			TYCO FORMAT COMPLIANCE		



TYCO ELECTRONICS PN	PLATING	WINDING DIRECTION
1544169-1	BEFORE STAMPING Sn : 112-16-4 (3 à 7µ)	1
1544169-2	AFTER STAMPING Ni : 112-25-3 (1.27 à 3µ) Sn : 112-65-1 (3 à 5 µ)	1
1544169-3	BEFORE STAMPING Sn : 112-16-4 (3 à 7µ)	2
1544169-4	AFTER STAMPING Ni : 112-25-3 (1.27 à 3µ) Sn : 112-65-1 (3 à 5 µ)	2

Nota : A, dans tous les cas, l'axe de l'amorce de casse doit être extérieur au fond de pince  
 - Volume par contact : 5.32 mm<sup>3</sup>



THIS DRAWING IS A CONTROLLED DOCUMENT FOR TYCO ELECTRONICS CORPORATION IT IS SUBJECT TO CHANGE AND THE CONTROLLING ENGINEERING ORGANIZATION SHOULD BE CONTACTED FOR THE LATEST REVISION.		DWN L. CORONELLI 02DEC2008 CHK P. FLORES 02DEC2008 APVD J. DAHER 02DEC2008		<b>Tyco Electronics</b> Tyco Electronics France SAS RN 90, 38530 Chapareillan																			
DIMENSIONS: mm 		TOLERANCES UNLESS OTHERWISE SPECIFIED: <table border="1"> <tr><td>PL</td><td>±</td></tr> <tr><td>PVC</td><td>±</td></tr> <tr><td>PLC</td><td>±0.05</td></tr> <tr><td>PAC</td><td>±</td></tr> <tr><td>PLC</td><td>±</td></tr> <tr><td>PLC</td><td>±</td></tr> <tr><td>ANGLES</td><td>±3°</td></tr> <tr><td>FINISH</td><td>-</td></tr> </table>		PL	±	PVC	±	PLC	±0.05	PAC	±	PLC	±	PLC	±	ANGLES	±3°	FINISH	-	PRODUCT SPEC - APPLICATION SPEC - WEIGHT -		NAME CONTACT A SOUDER DIL SIZE A3 CAGE CODE 00779 DRAWING NO C-1544169 RESTRICTED TO -	
PL	±																						
PVC	±																						
PLC	±0.05																						
PAC	±																						
PLC	±																						
PLC	±																						
ANGLES	±3°																						
FINISH	-																						
MATERIAL CuSn6P		CUSTOMER DRAWING		SCALE 4.000 SHEET 1 OF 1 REV F																			

# Mouser Electronics

Authorized Distributor

Click to View Pricing, Inventory, Delivery & Lifecycle Information:

[TE Connectivity:](#)

[1544169-2](#)