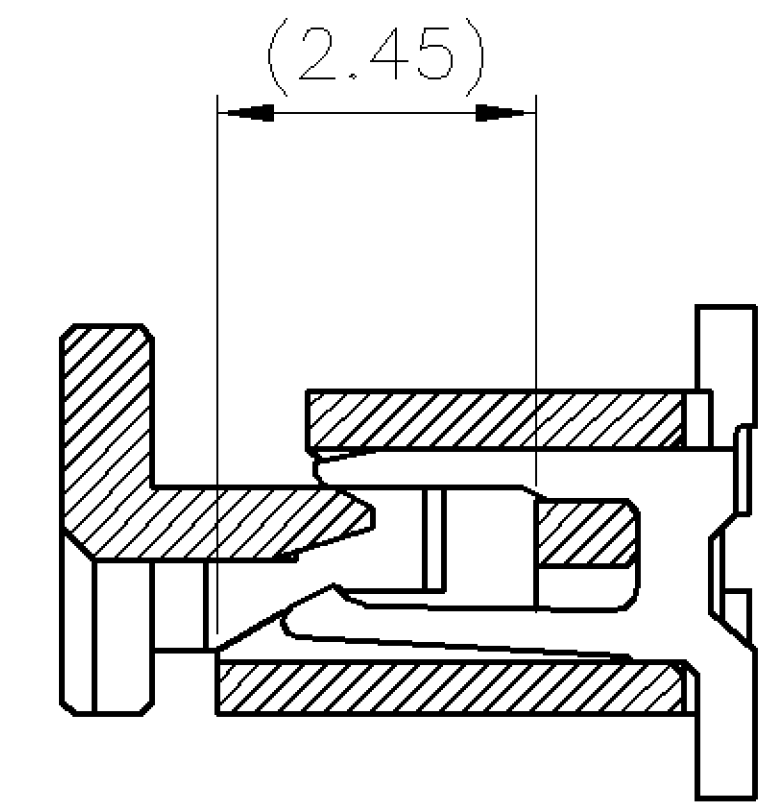
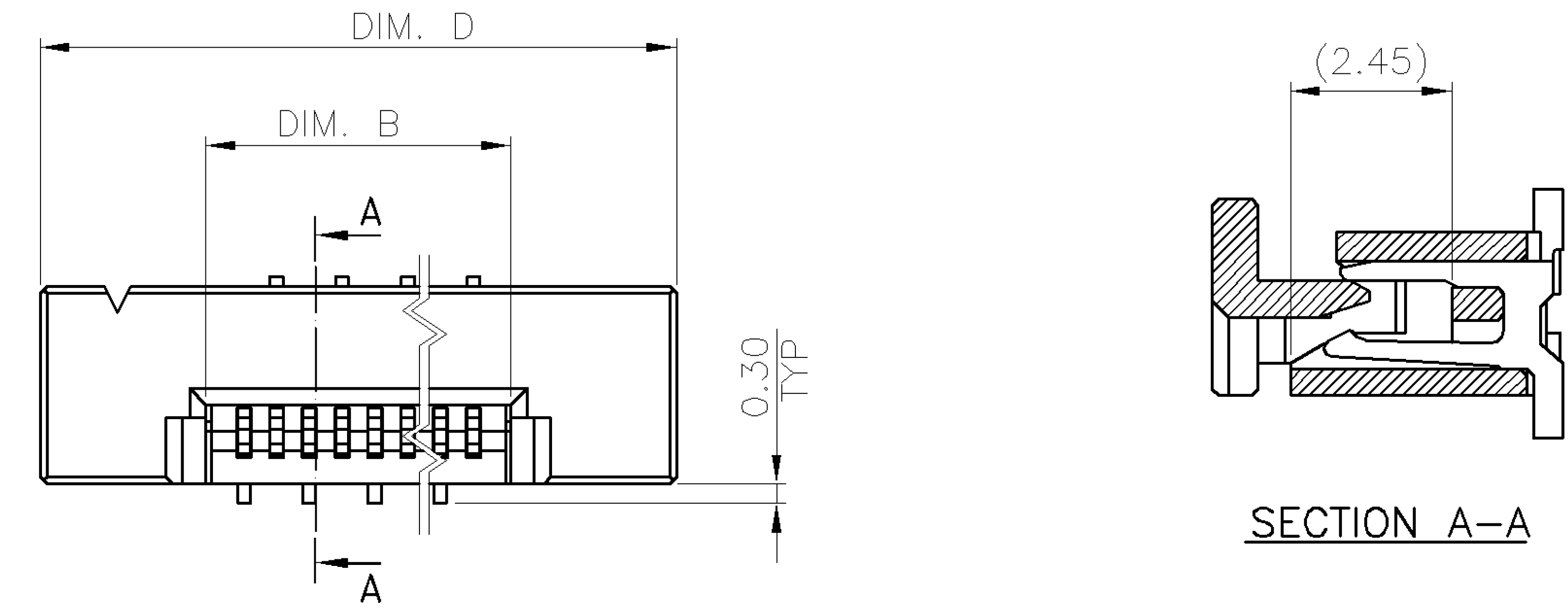


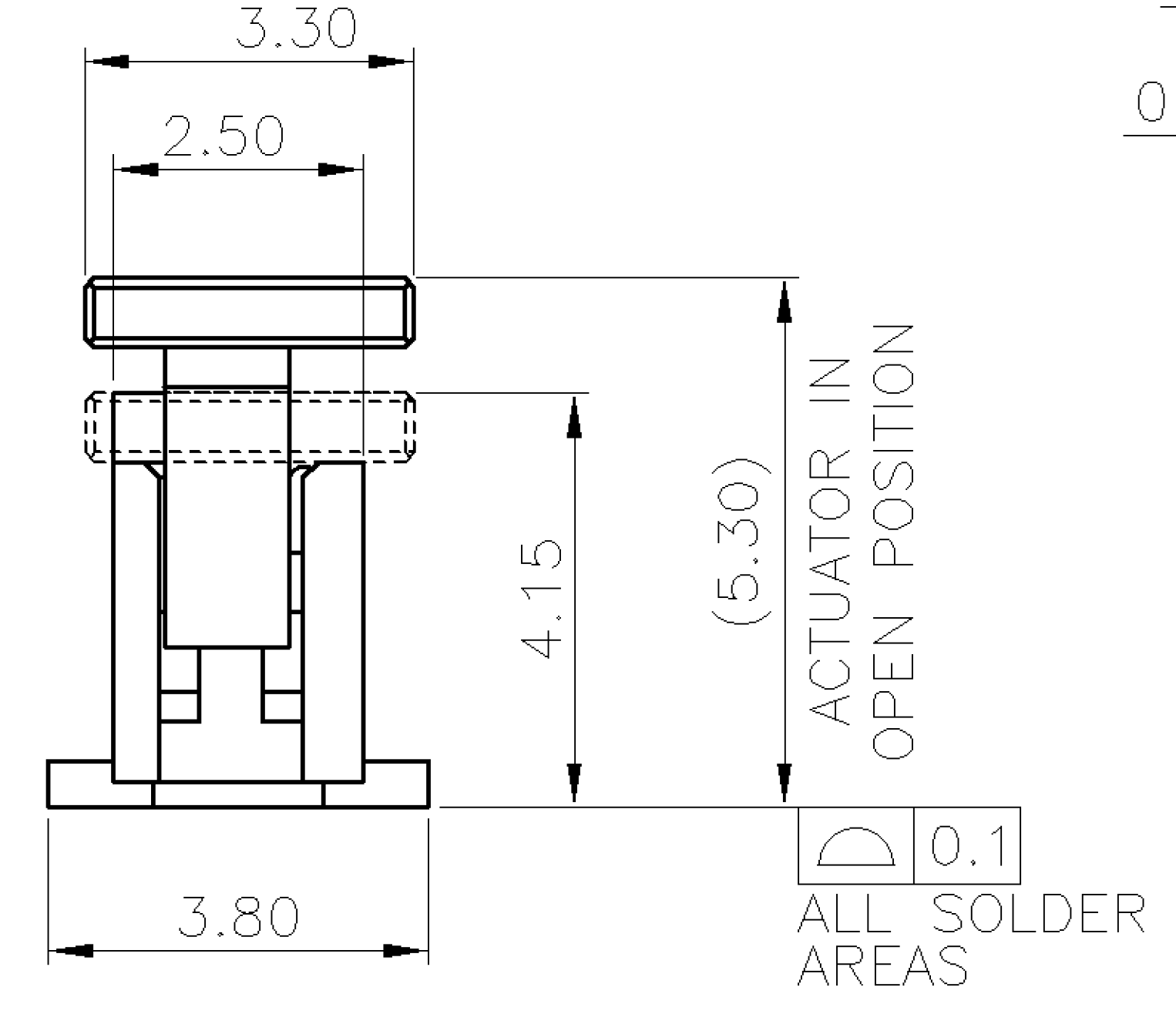
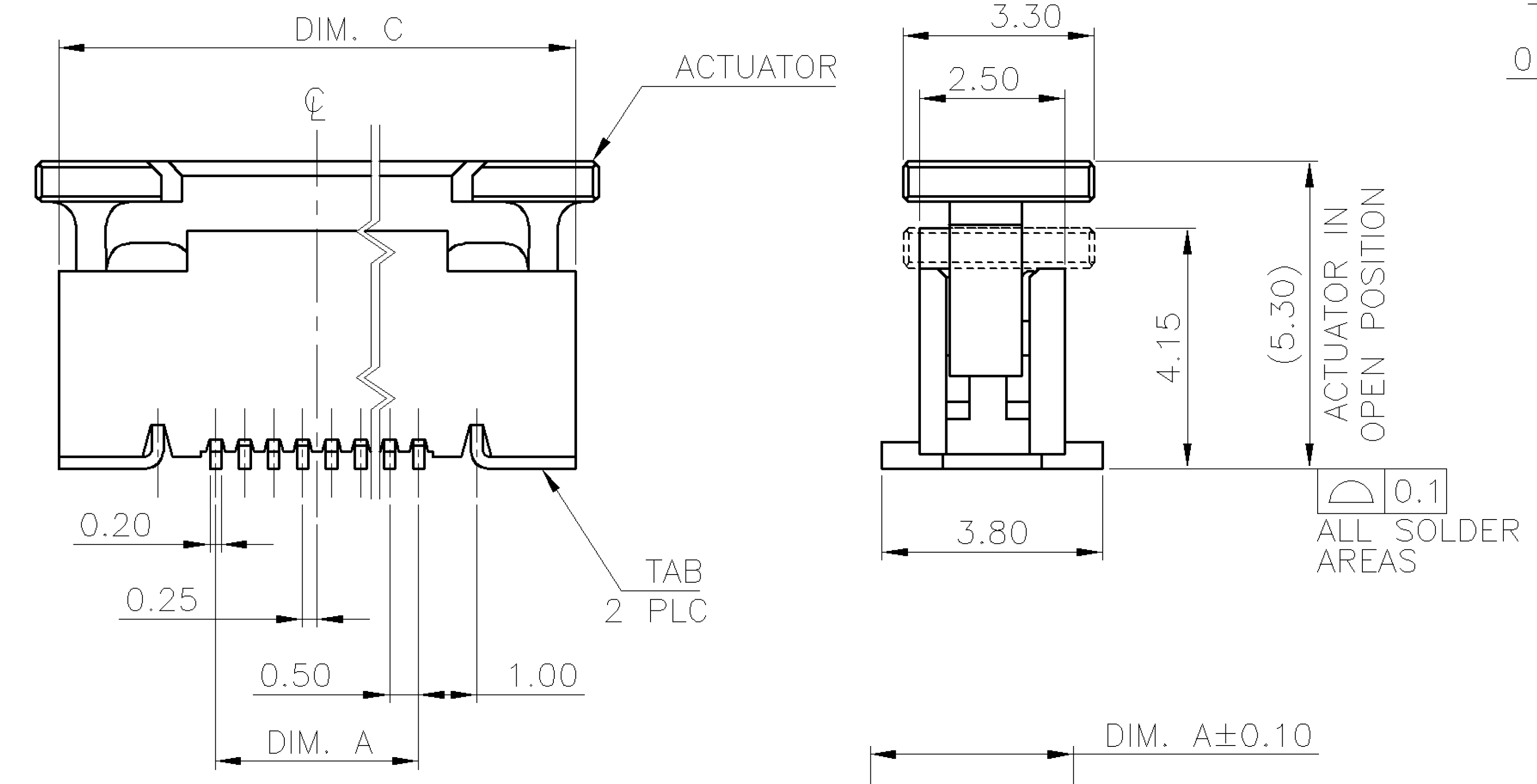
NUMBER
C-1734742

3RD ANGLE PROJECTION

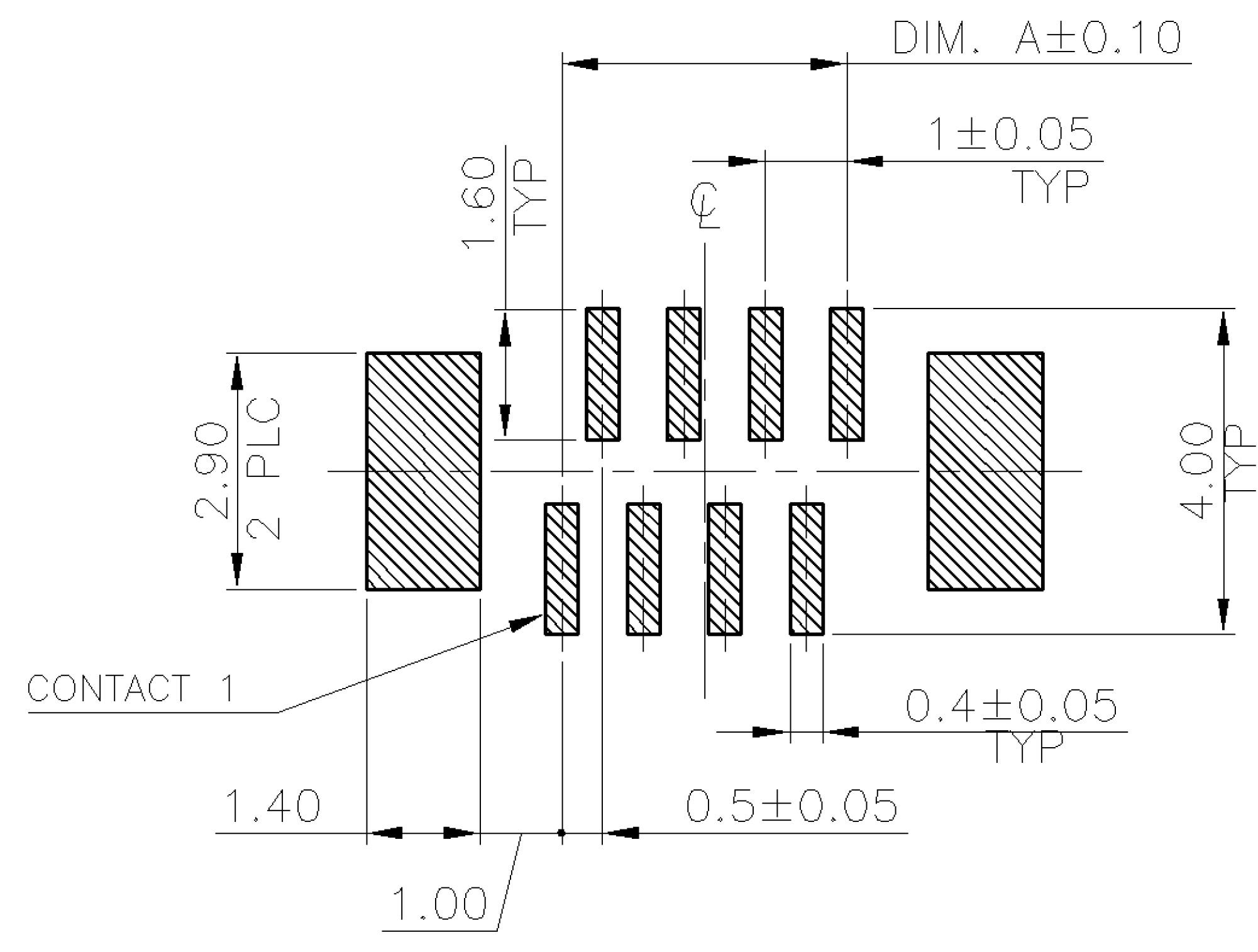
METRIC



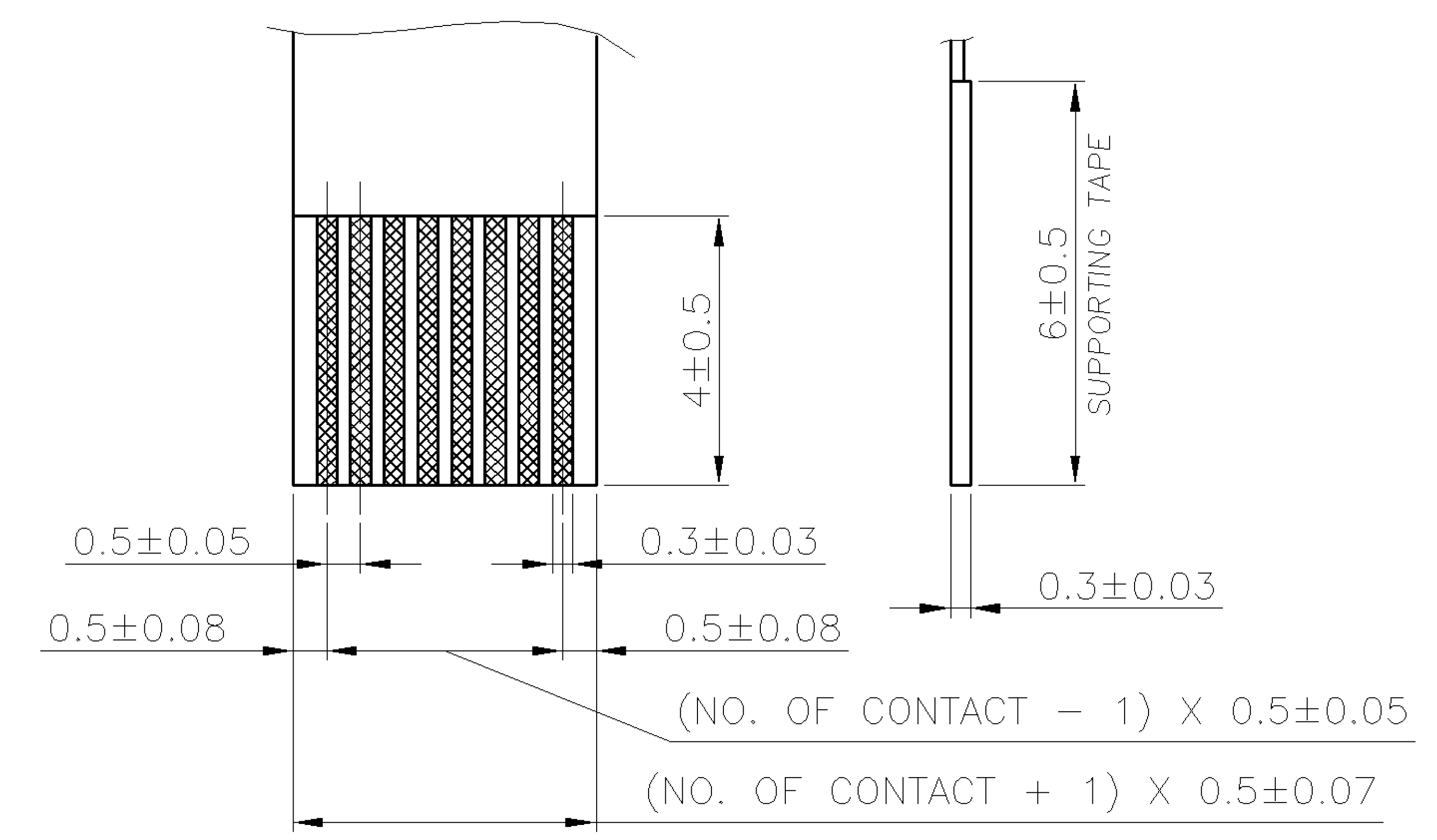
SECTION A-A



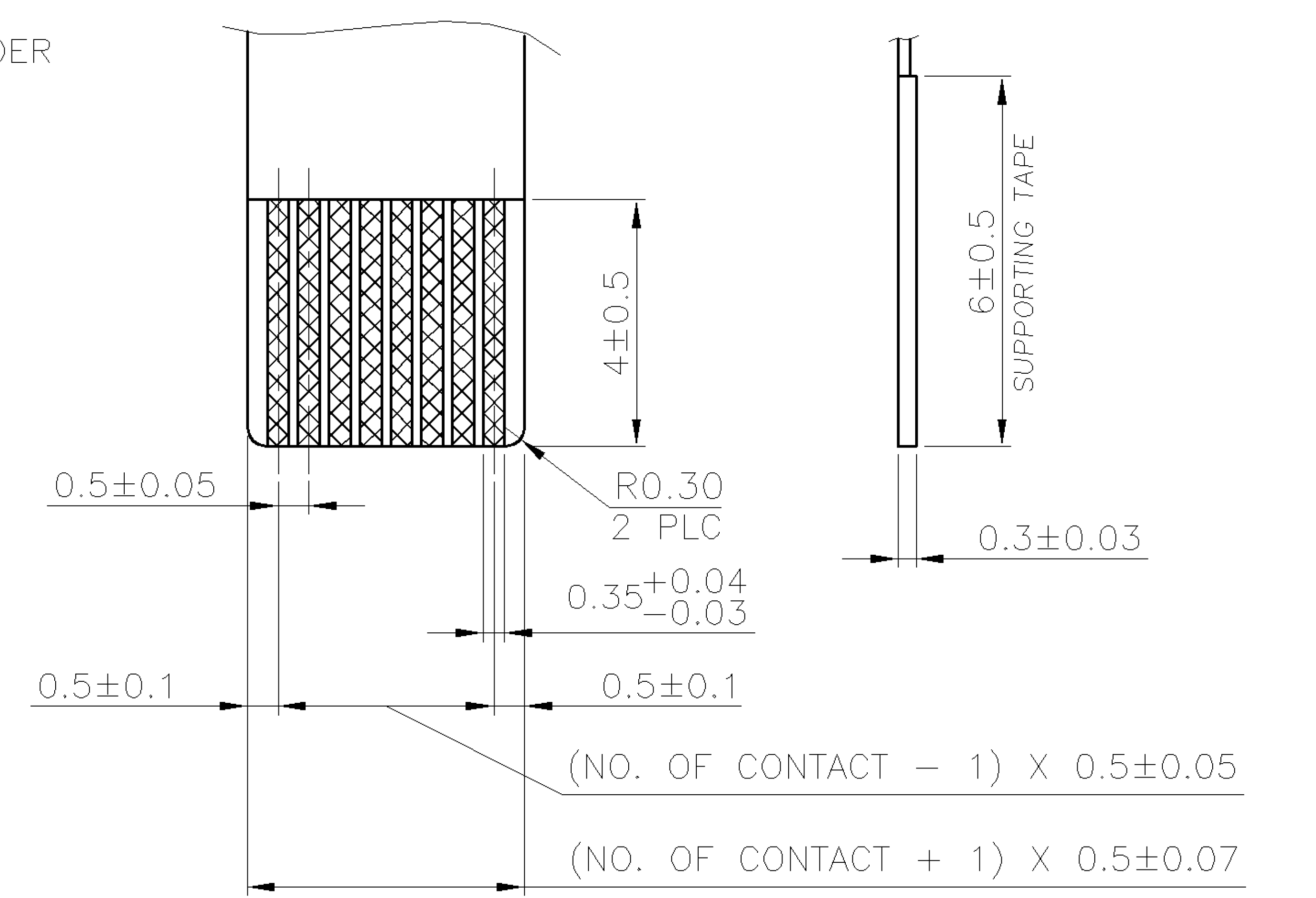
0.1
ALL SOLDER AREAS



RECOMMENDED PCB LAYOUT (TYPE A)
(TOLERANCE: ±0.05)



RECOMMENDED FFC LAYOUT



RECOMMENDED FPC LAYOUT

WEIGHT	D	C	B	A	NO. OF CONTACTS	PART NUMBER
0.34g	17.70	16.90	12.65	11.50	24	6-1734742-0
0.52g	25.70	24.90	20.65	19.50	40	4-1734742-0
0.51g	25.20	24.40	20.15	19.00	39	3-1734742-9
0.50g	24.70	23.90	19.65	18.50	38	3-1734742-8
0.49g	24.20	23.40	19.15	18.00	37	3-1734742-7
0.48g	23.70	22.90	18.65	17.50	36	3-1734742-6
0.46g	23.20	22.40	18.15	17.00	35	3-1734742-5
0.45g	22.70	21.90	17.65	16.50	34	3-1734742-4
0.44g	22.20	21.40	17.15	16.00	33	3-1734742-3
0.43g	21.70	20.90	16.65	15.50	32	3-1734742-2
0.42g	21.20	20.40	16.15	15.00	31	3-1734742-1
0.41g	20.70	19.90	15.65	14.50	30	3-1734742-0
0.40g	20.20	19.40	15.15	14.00	29	2-1734742-9
0.39g	19.70	18.90	14.65	13.50	28	2-1734742-8
0.38g	19.20	18.40	14.15	13.00	27	2-1734742-7
0.37g	18.70	17.90	13.65	12.50	26	2-1734742-6
0.36g	18.20	17.40	13.15	12.00	25	2-1734742-5
0.34g	17.70	16.90	12.65	11.50	24	2-1734742-4
0.33g	17.20	16.40	12.15	11.00	23	2-1734742-3
0.32g	16.70	15.90	11.65	10.50	22	2-1734742-2
0.31g	16.20	15.40	11.15	10.00	21	2-1734742-1
0.30g	15.70	14.90	10.65	9.50	20	2-1734742-0
0.29g	15.20	14.40	10.15	9.00	19	1-1734742-9
0.28g	14.70	13.90	9.65	8.50	18	1-1734742-8
0.27g	14.20	13.40	9.15	8.00	17	1-1734742-7
0.26g	13.70	12.90	8.65	7.50	16	1-1734742-6
0.25g	13.20	12.40	8.15	7.00	15	1-1734742-5
0.24g	12.70	11.90	7.65	6.50	14	1-1734742-4
0.22g	12.20	11.40	7.15	6.00	13	1-1734742-3
0.21g	11.70	10.90	6.65	5.50	12	1-1734742-2
0.20g	11.20	10.40	6.15	5.00	11	1-1734742-1
0.19g	10.70	9.90	5.65	4.50	10	1-1734742-0
0.18g	10.20	9.40	5.15	4.00	9	1734742-9
0.17g	9.70	8.90	4.65	3.50	8	1734742-8
0.16g	9.20	8.40	4.15	3.00	7	1734742-7
0.15g	8.70	7.90	3.65	2.50	6	1734742-6

NOTE:

- MATERIAL:
HOUSING: THERMOPLASTIC WITH 33% GF, UL 94V-0, BLACK COLOR.
ACTUATOR: THERMOPLASTIC, UL 94V-0, BROWN COLOR.
CONTACTS: PHOSPHOR BRONZE.
TABS: BRASS.
- FINISH:
CONTACTS: GOLD FLASH OVER 50µ" MIN. NICKEL ON ENTIRE CONTACT.
CONTACTS: 30µ" MIN. GOLD ON CONTACT AREA, WITH GOLD FLASH OVER 50µ" MIN. NICKEL ON ENTIRE CONTACT.
TABS: 120µ" MIN. MATTE-TIN OVER 50µ" MIN. NICKEL.
- REFLOW SOLDER CAPABLE TO 260°C AS PER TE CONNECTIVITY SPEC. 109-201, CONDITION B.
- NO TYCO LOGO AND DATE CODE ON THE PRODUCT.

P	REVISION RECORD	ECO	RK	HMR	02APR11
LTR	REVISION RECORD	ECO	DWN	CHK	DATE

TOLERANCES UNLESS OTHERWISE SPECIFIED: 0 PLC ±- 1 PLC ±0.2 2 PLC ±0.1 3 PLC ±0.05 ANGLES ±3'	DWN A. WU 01-DEC-2005	TE Connectivity NAME FPC/FFC CONN., 0.5 MM PITCH, ZIF, VERTICAL, SMT, TYPE A
MATERIAL SEE NOTE	CHK S. HOU 01-DEC-2005	
FINISH SEE NOTE	APVD W.J. KE 01-DEC-2005	LOC DW A ₃
	PRODUCT SPEC 108-57324	DRAWING NO C-1734742
	QUALIFICATION TEST REPORT 501-57364	REV P
	WEIGHT -	SHEET 1 OF 2

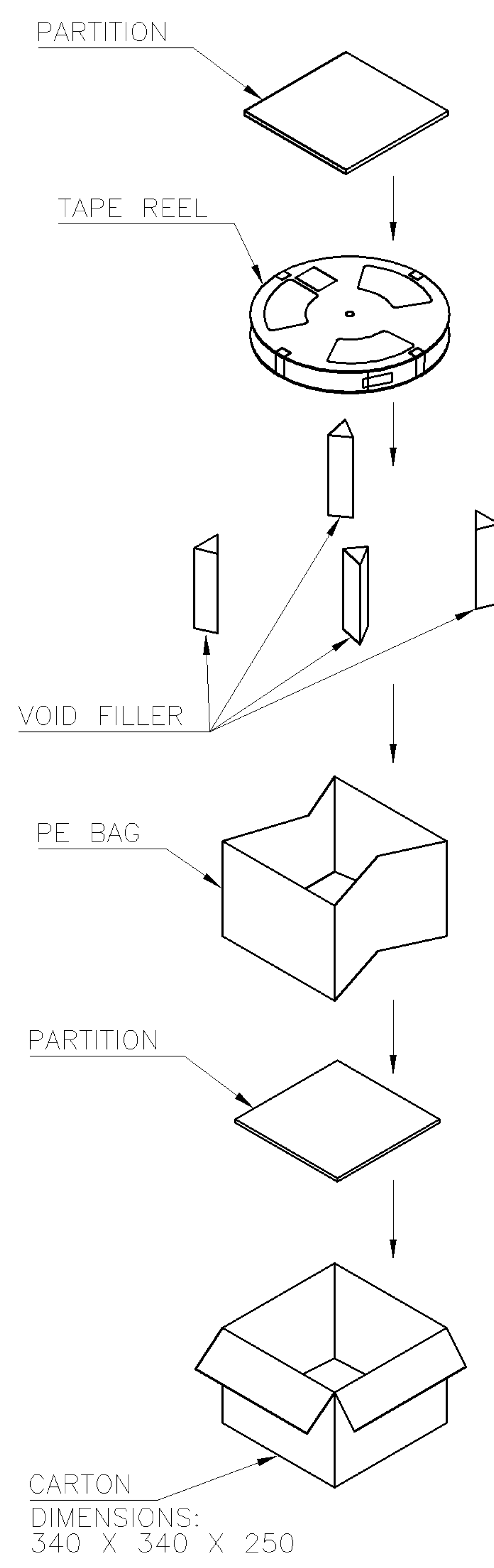
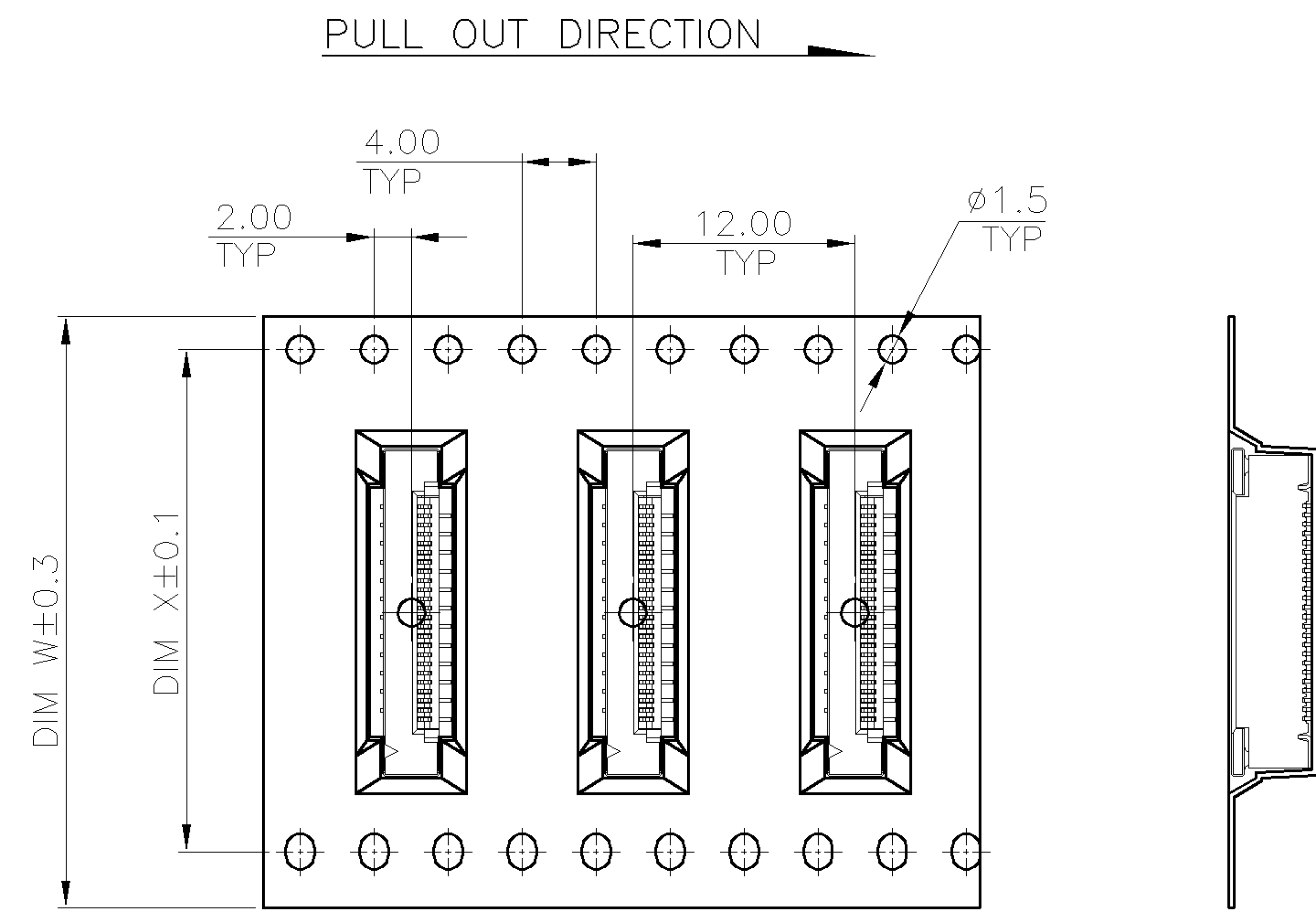
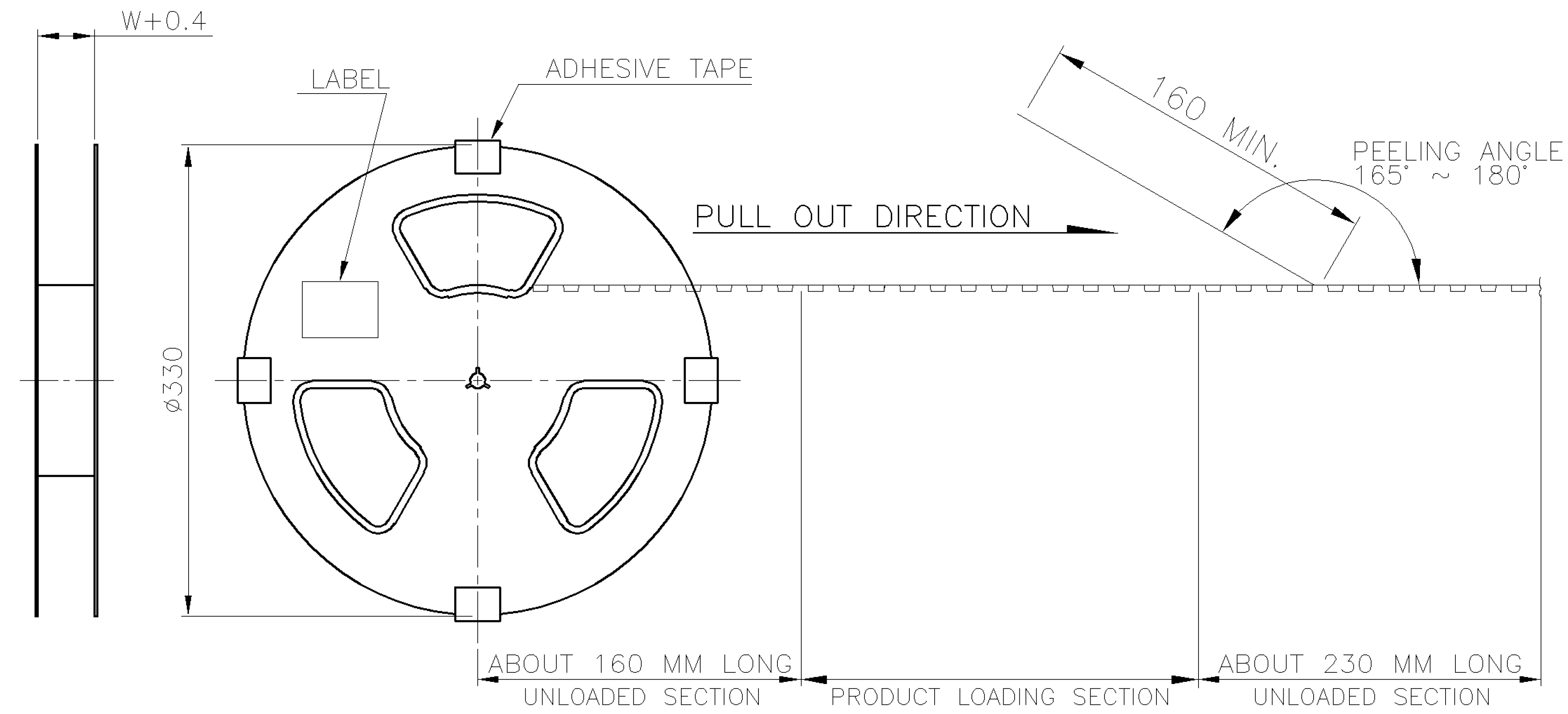
PRINT
DW

DIMENSIONS IN MILLIMETERS. DO NOT SCALE PRINT.

NUMBER
C-1734742

3RD ANGLE PROJECTION

METRIC



PCS/ REEL	REELS/ CARTON	QUANTITY	DIM W	DIM X	G/W (KG)	N/W (KG)	NO. OF CONTACTS
4	4000	44.0	40.40	4.61	2.08	40	
				4.57	2.04	39	
				4.53	2.00	38	
				4.49	1.96	37	
				4.45	1.92	36	
				4.37	1.84	35	
				4.33	1.80	34	
				4.29	1.76	33	
				4.25	1.72	32	
				4.21	1.68	31	
6	6000	32.0	28.40	6.05	2.46	30	
				5.99	2.40	29	
				5.93	2.34	28	
				5.87	2.28	27	
				5.81	2.22	26	
				5.75	2.16	25	
				5.63	2.04	24	
				5.57	1.98	23	
				5.51	1.92	22	
				5.45	1.86	21	
7	7000	24.0	24.0	5.58	2.10	20	
				5.51	2.03	19	
				5.44	1.96	18	
				5.37	1.89	17	
				5.30	1.82	16	
				5.23	1.75	15	
				5.16	1.68	14	
				5.02	1.54	13	
				4.95	1.47	12	
				4.88	1.40	11	
4.81	1.33	10					
4.74	1.26	9					
4.67	1.19	8					
4.60	1.12	7					
4.53	1.05	6					

TOLERANCES UNLESS OTHERWISE SPECIFIED: 0 PLC ±- 1 PLC ±- 2 PLC ±- 3 PLC ±- ANGLES ±-	DWN	A. WU	TE Connectivity NAME FPC/FFC CONN., 0.5 MM PITCH, ZIF, VERTICAL, SMT, TYPE A			
	CHK	S. HOU				
MATERIAL	APVD	W.J. KE	LOC	SIZE	DRAWING NO	REV
-	PRODUCT SPEC	01-DEC-2005	DW	A₃	C-1734742	P
FINISH	APPLICATION SPEC		SCALE	SHEET		
-	WEIGHT		--	2 OF 2		

LTR	REVISION RECORD	SEE SHEET 1.	ECO	DWN	CHK	DATE
-----	-----------------	--------------	-----	-----	-----	------

PRINT DIST
DW

DIMENSIONS IN MILLIMETERS. DO NOT SCALE PRINT.

Mouser Electronics

Authorized Distributor

Click to View Pricing, Inventory, Delivery & Lifecycle Information:

[TE Connectivity:](#)

[1-1734742-4](#)