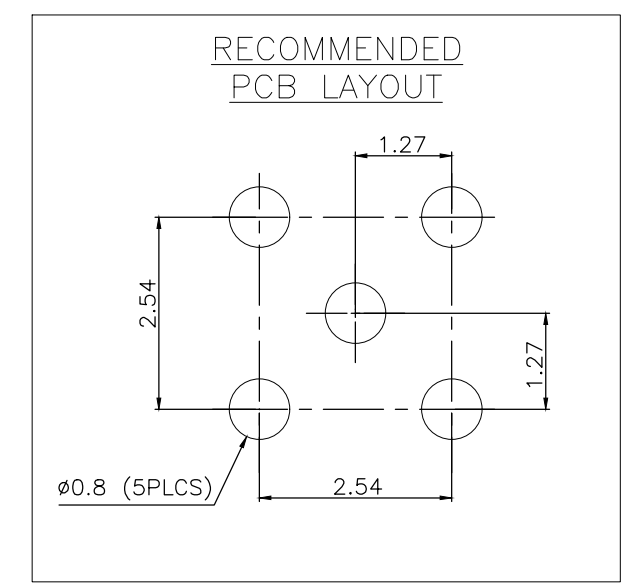
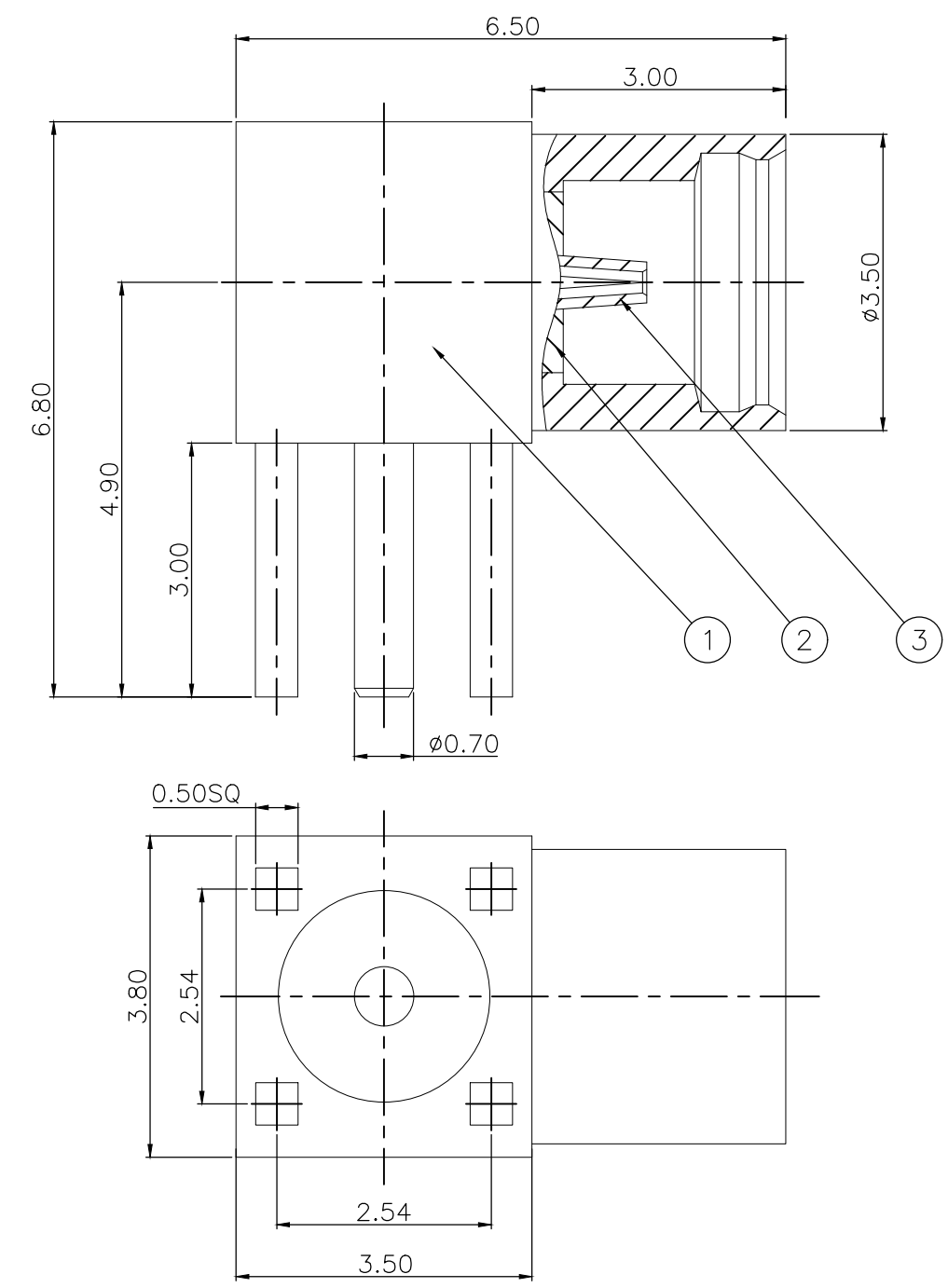


THIS DRAWING IS UNPUBLISHED. RELEASED FOR PUBLICATION NOV , 2003.
 © COPYRIGHT 2003 By - ALL RIGHTS RESERVED.

P	LTR	DESCRIPTION	DATE	DWN	APVD
	E	ECO-18-017129	31OCT2018	RZ	RS

- NOTES:
- 1 SINGLE PACK IN ACCORDANCE WITH AMP SPEC 107-3275
 - 2 100 TRAY PACK IN ACCORDANCE WITH AMP SPEC 107-3275
 - 3 Au0.05um PLATING OVER Ni1.27um PLATING OVER Cu1um PLATING
 - 4. FOR TECHNICAL DATA REFER TO YOUR LOCAL TE CONNECTIVITY SALES OFFICE
 - 5. ALL DIMENSIONS ARE NOMINAL FOR REFERENCE ONLY UNLESS OTHERWISE STATED



ELECTRICAL	MECHANICAL	ENVIRONMENTAL
Impedance (Ohm) <u>50</u>	Interface Dimension CECC 22 000	TEMPERATURE RANGE <u>-55 TO + 125</u>
Frequency Range (GHz) <u>DC to 6GHz</u>	Force to Engage and Disengage (N) Engage: <u>18 MAXI</u> Disengage: <u>6 MINI</u>	THERMAL SHOCK
Voltage Rating (Peak) @ Sea Level <u>170 V RMS</u>	Center Contact Captivation Axial (N) <u>6.0</u> Radial (In/Oz) <u>N/A</u>	<u>MIL-STD-202, METHOD107, B, CORROSION</u>
Insulation Resistance (MIN.) <u>1000 M ohms</u>	Cable Retention Axial (Lbs) <u>N/A</u>	<u>MIL-STD-202, METHOD101, B, VIBRATION</u>
Contact Resistance (Milliohms MAX) Center Contact <u>5.0</u> Outer Contact <u>2.5</u>	Mating cycles <u>500</u> cycles	<u>MIL-STD-202, METHOD204, B, MOISTURE RESISTANCE</u>
Dielectric Withstand Voltage: <u>500 V RMS Max</u>		<u>MIL-STD-202, METHOD106, ROHS</u> <u>COMPLIANT</u>
Insertion Loss : <u>N/A</u> dB		
VSWR: <u>1.35 MAXI (GHz)</u>		
RF leakage: <u>N/A</u>		
3rd Intermodulation: <u>N/A</u>		

THIS DRAWING IS A CONTROLLED DOCUMENT.

DIMENSIONS:	TOLERANCES UNLESS OTHERWISE SPECIFIED:
mm	
	0 PLC ± -
	1 PLC ± -
	2 PLC ± 0.05
	3 PLC ± -
	4 PLC ± -
	ANGLES ± -
MATERIAL	FINISH
SEE TABLE	SEE TABLE

DWN	J.SANDWELL	12NOV03
CHK	S.PARLOW	12NOV03
APVD	F.WHEELER-KING	12NOV03
PRODUCT SPEC	108-3462	
APPLICATION SPEC	411-3280	
WEIGHT	-	
CUSTOMER DRAWING		

QUANTITY PER ASSY	DESCRIPTION	ITEM
1	BERYLLIUM COPPER 3	SOCKET 3
1	PTFE	INSULATOR 2
1	BRASS 3	BODY 1
6--0	1--0	MATERIAL DESCRIPTION

STE TE Connectivity			
NAME MMCX RIGHT ANGLE PCB MOUNT SOCKET RECEPTACLE 50 OHMS			
SIZE	CAGE CODE	DRAWING NO	RESTRICTED TO
A3	00779	C-1634010	-
SCALE		SHEET	REV
NTS		1 OF 1	E