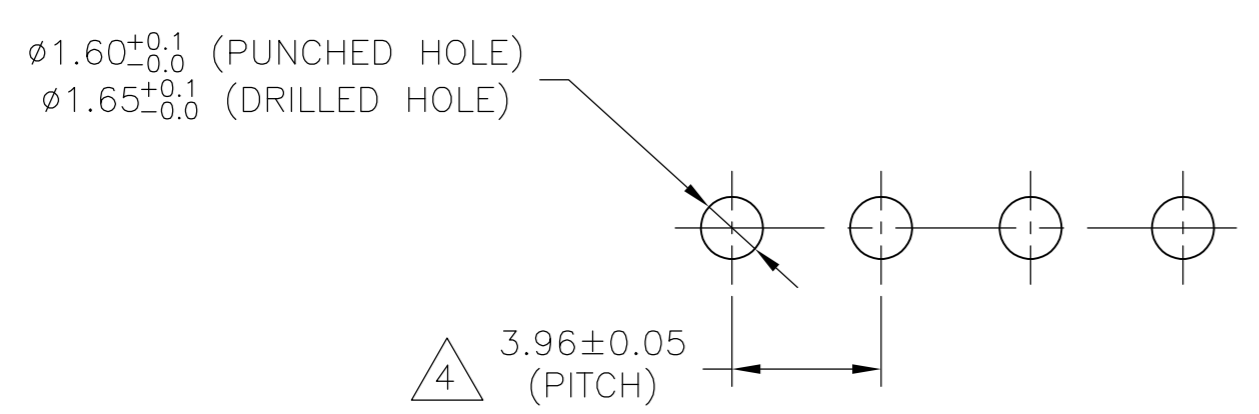
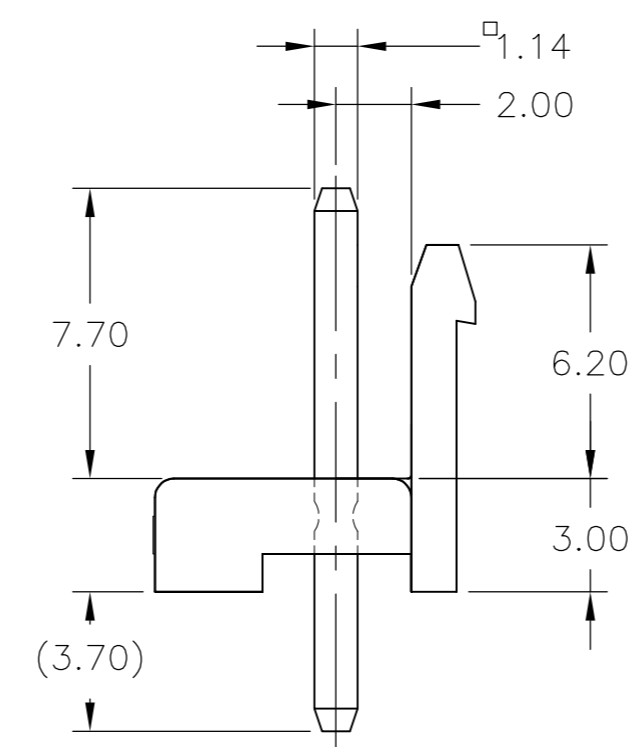
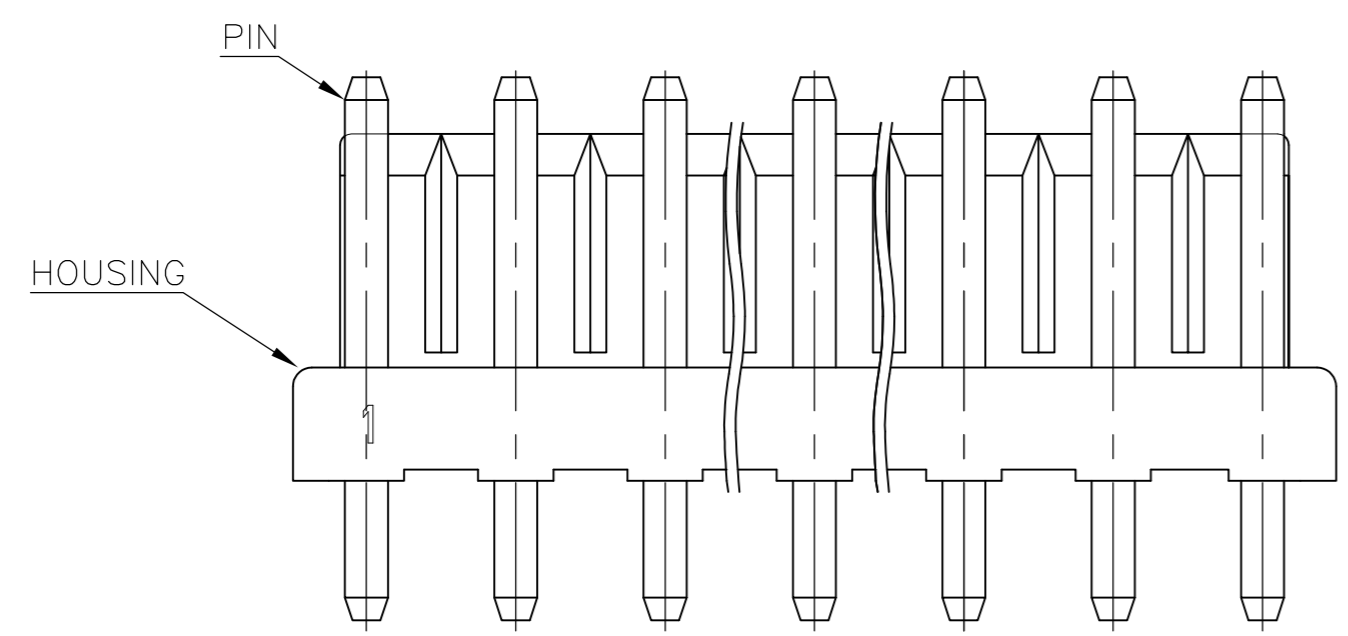
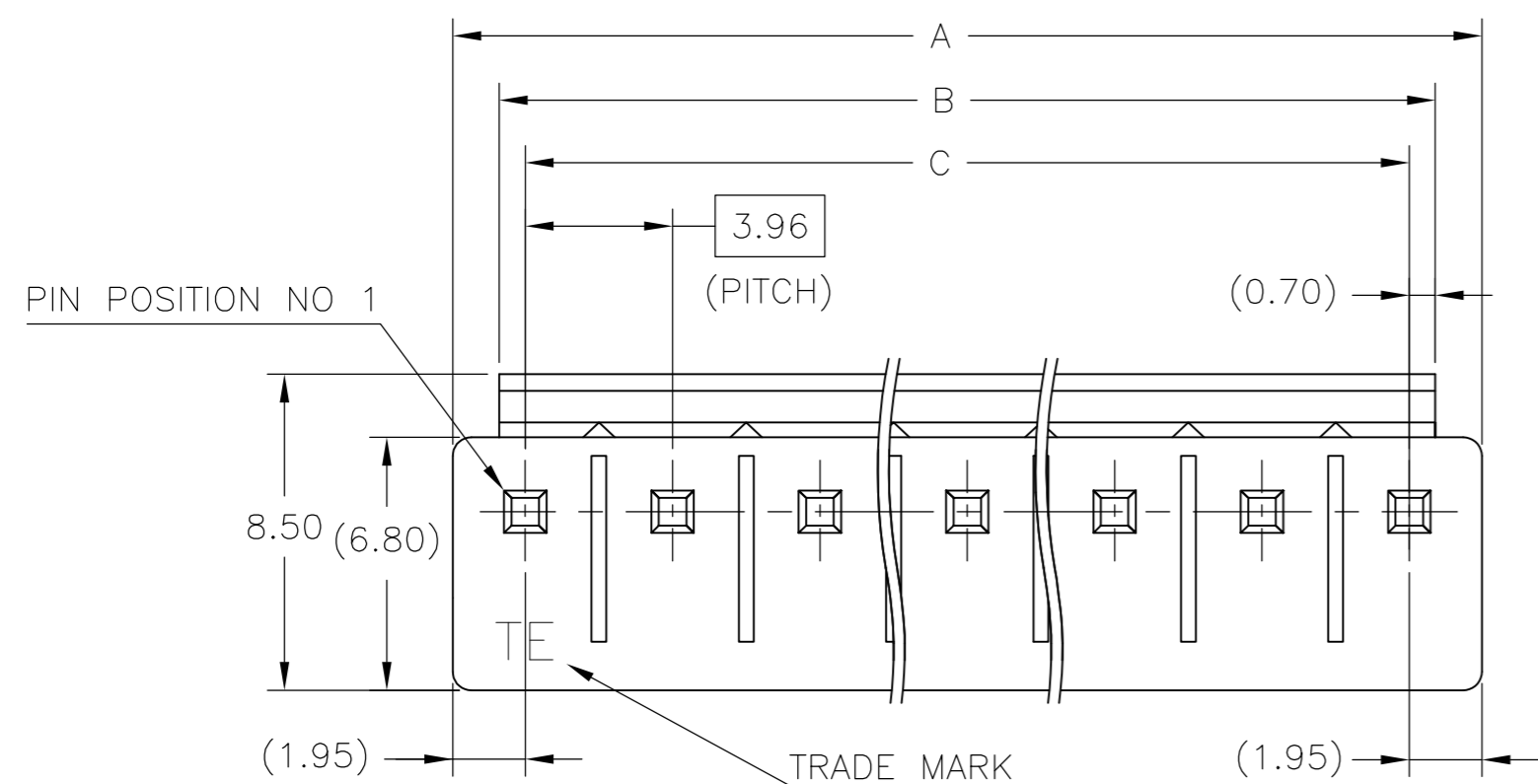


THIS DRAWING IS UNPUBLISHED. RELEASED FOR PUBLICATION
 © COPYRIGHT - By - ALL RIGHTS RESERVED.

REVISIONS				
P	LTR	DESCRIPTION	DATE	APVD
AA3		REVISED PER ECR-16-017535	23JAN2017	O.C D.Z



2 FIG.1

- 1 MATING CONN P/N: \square -1123722- \square
- 2 APPLICABLE P.C.B LAYOUT: SEE FIG. 1
- 3 APPLICABLE P.C.B THICKNESS: 1.60
- 4 SKETCHES SHOW NO PINS MISSING.
- 6 PIN: POST TIN OVER BRASS
- 7 HOUSING: PBT, 30% GLASS, UL94-V0.
- 8 \circ : WITH PIN,
X : WITHOUT PIN.
- 10 SUPERSEDED BY 1744489-2.
- 11 SUPERSEDED BY 1744489-4.
- 12 SUPERSEDED BY 1744489-5.
- 13 SUPERSEDED BY 1744489-6.
- 14 SUPERSEDED BY 1744489-7.
- 15 SUPERSEDED BY 1744489-8.
- 16 SUPERSEDED BY 1744489-9.
- 17 SUPERSEDED BY 1-1744489-0.
- 18 SUPERSEDED BY 1-1744489-1.

THIS DRAWING IS A CONTROLLED DOCUMENT.		DWN N.YAMASAKI 13MAR'01	TE Connectivity	
DIMENSIONS: mm		CHK M.SHINDO 13MAR'01		
TOLERANCES UNLESS OTHERWISE SPECIFIED:		APVD Y.KASHIWA 13MAR'01	NAME 3.96MM PITCH ECONOMY POWER(EP) CONN HEADER ASSY	
ϕ 0 PLC \pm 1 PLC ± 0.50 2 PLC ± 0.30 3 PLC \pm 4 PLC \pm ANGLES \pm FINISH		PRODUCT SPEC 108-5609	SIZE A2	CAGE CODE 00779
MATERIAL SEE TABLE		APPLICATION SPEC -	DRAWING NO C-1123723	RESTRICTED TO -
SEE TABLE		WEIGHT	SCALE 5:1	SHEET 1 of 2
		CUSTOMER DRAWING	REV AA3	

1123723

THIS DRAWING IS UNPUBLISHED. RELEASED FOR PUBLICATION
 © COPYRIGHT - By - ALL RIGHTS RESERVED.

REVISIONS					
P	LTR	DESCRIPTION	DATE	DWN	APVD
-	-	SEE SHEET 1	-	-	-

PIN POSITION	DIMENSION	COLOR	POS	ASS'Y P/N
1	27.72	NATURAL	8	7-1123723-8
2	29.12	GREEN		6-1123723-8
3	31.62	BLACK		5-1123723-8
4		RED		4-1123723-8
5		BLUE		3-1123723-8
6		YELLOW		2-1123723-8
7		NATURAL		1-1123723-8
8		NATURAL	7	7-1123723-7
9	23.76	GREEN		6-1123723-7
10	25.16	BLACK		5-1123723-7
11	27.66	RED		4-1123723-7
		BLUE		3-1123723-7
		YELLOW		2-1123723-7
		NATURAL		1-1123723-7
		NATURAL	6	7-1123723-6
	19.80	GREEN		6-1123723-6
	21.20	BLACK		5-1123723-6
	23.70	RED		4-1123723-6
		BLUE		3-1123723-6
		YELLOW		2-1123723-6
		NATURAL		1-1123723-6
		NATURAL	5	7-1123723-5
	15.84	GREEN		6-1123723-5
	17.24	BLACK		5-1123723-5
	19.74	RED		4-1123723-5
		BLUE		3-1123723-5
		YELLOW		2-1123723-5
		NATURAL		1-1123723-5
		NATURAL	4	7-1123723-4
	11.88	GREEN		6-1123723-4
	13.28	BLACK		5-1123723-4
	15.78	RED		4-1123723-4
		BLUE		3-1123723-4
		YELLOW		2-1123723-4
		NATURAL		1-1123723-4
		NATURAL	3	7-1123723-3
	7.92	GREEN		6-1123723-3
	9.32	BLACK		5-1123723-3
	11.82	RED		4-1123723-3
		BLUE		3-1123723-3
		YELLOW		2-1123723-3
		NATURAL		1-1123723-3
		NATURAL	2	7-1123723-2
	3.96	GREEN		6-1123723-2
	5.36	BLACK		5-1123723-2
	7.86	RED		4-1123723-2
		BLUE		3-1123723-2
		YELLOW		2-1123723-2
		NATURAL		1-1123723-2

PIN POSITION	DIMENSION	COLOR	POS	ASS'Y P/N
1	39.60	NATURAL	11	8-1123723-1
2	41.00	GREEN		6-1123723-1
3	43.50	BLACK		5-1123723-1
4		RED		4-1123723-1
5		BLUE		3-1123723-1
6		YELLOW		2-1123723-1
7		NATURAL		1-1123723-1
8		NATURAL	10	7-1123723-0
9	35.64	GREEN		6-1123723-0
10	37.04	BLACK		5-1123723-0
11	39.54	RED		4-1123723-0
		BLUE		3-1123723-0
		YELLOW		2-1123723-0
		NATURAL		1-1123723-0
	31.68	NATURAL	9	7-1123723-9
	33.08	NATURAL		6-1123723-9
	35.58	GREEN		5-1123723-9
		BLACK		4-1123723-9
		RED		3-1123723-9
		BLUE		2-1123723-9
		YELLOW		1-1123723-9
		NATURAL		1-1123723-9

THIS DRAWING IS A CONTROLLED DOCUMENT.

DWN	N.YAMASAKI	13MAR'01
CHK	M.SHINDO	13MAR'01
APVD	Y.KASHIWA	13MAR'01
PRODUCT SPEC	108-5609	
APPLICATION SPEC	-	
WEIGHT		
CUSTOMER DRAWING		

STE TE Connectivity

3.96MM PITCH ECONOMY POWER(EP) CONN HEADER ASSY

SIZE	A2	CAGE CODE	00779	DRAWING NO	C=1123723	RESTRICTED TO	-
SCALE	5:1	SHEET	2 OF 2	REV	AA3		

Mouser Electronics

Authorized Distributor

Click to View Pricing, Inventory, Delivery & Lifecycle Information:

[TE Connectivity:](#)

[1-1123723-0](#)