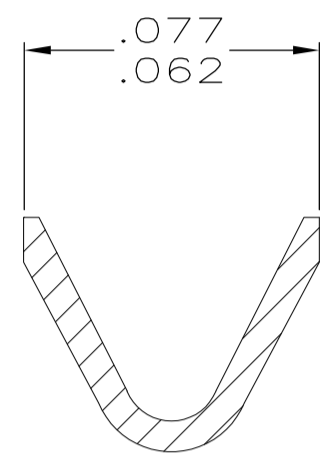
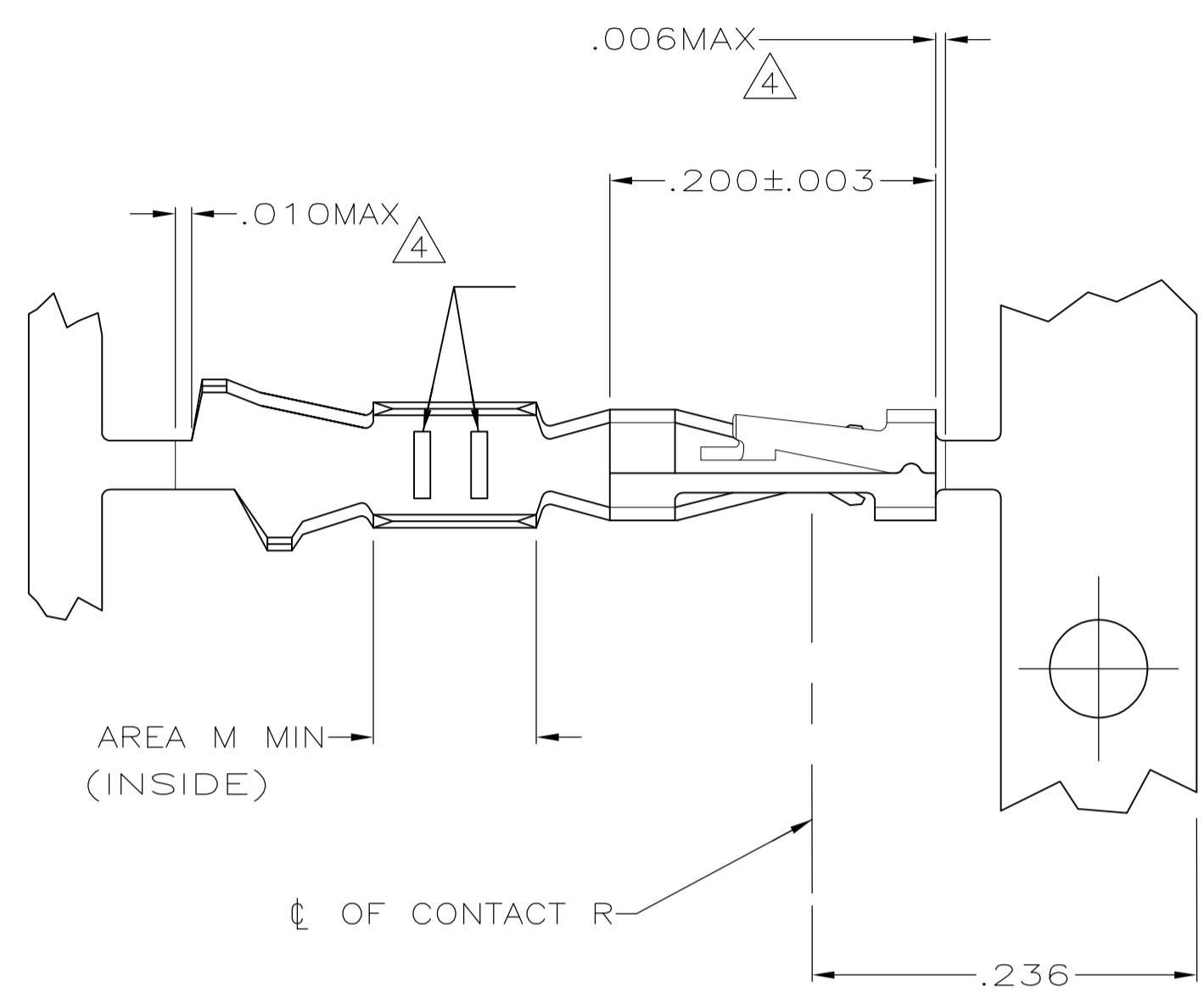
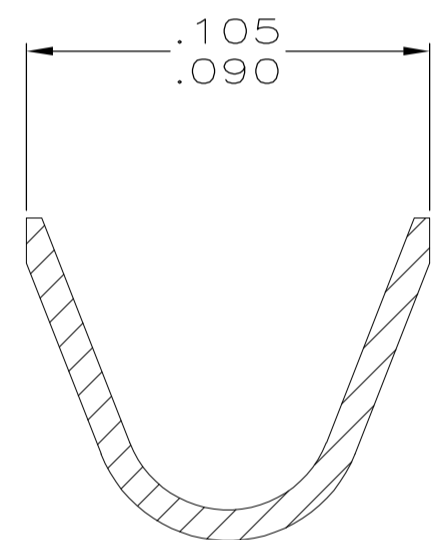
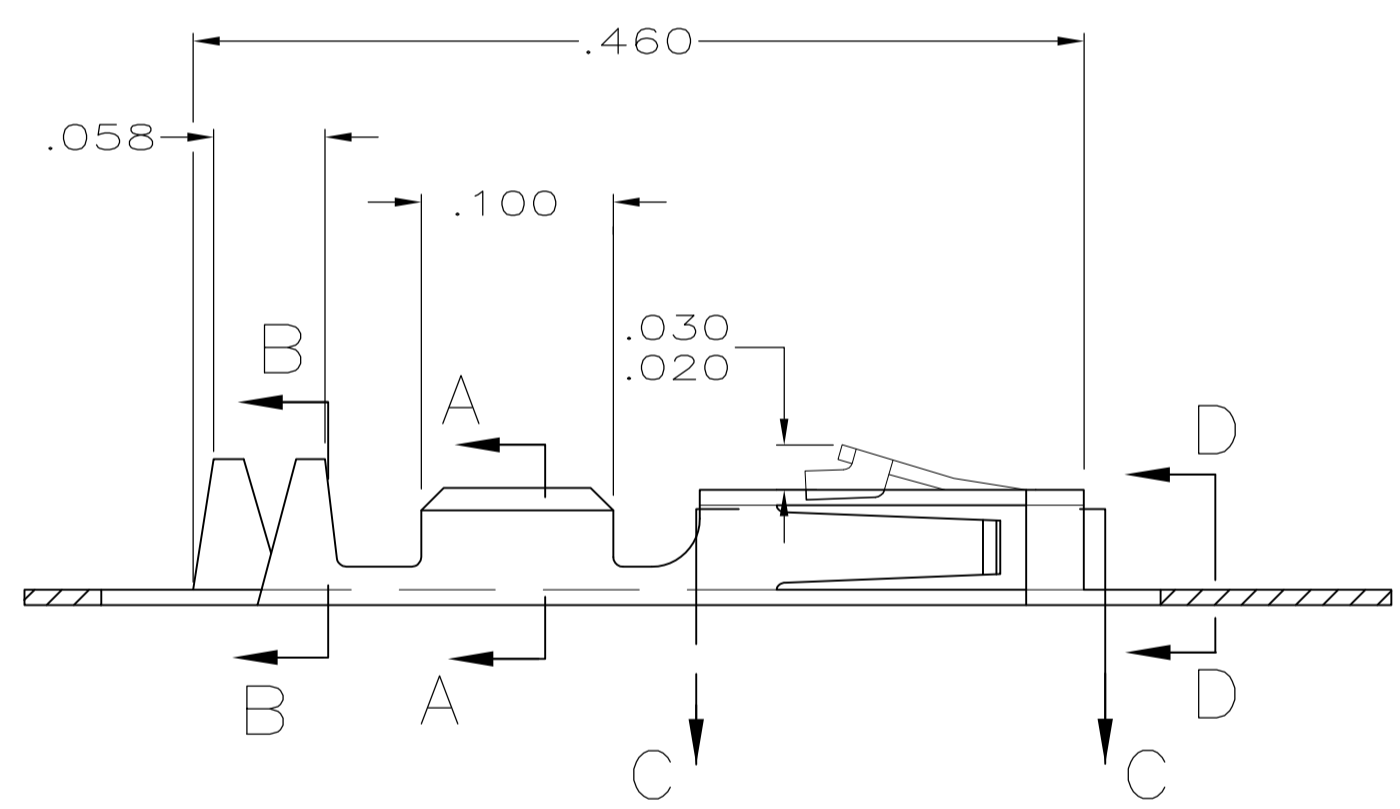


LOC		DIST		REVISIONS			
AD	39	REV	DATE	BY	CHK	APPV	
S1	REVISED PER ECO-11-004587		11MAR11	RK	HMR		

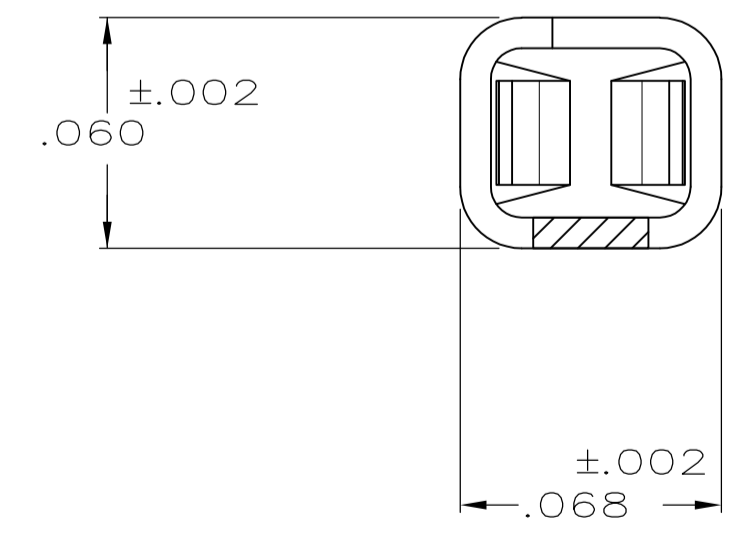
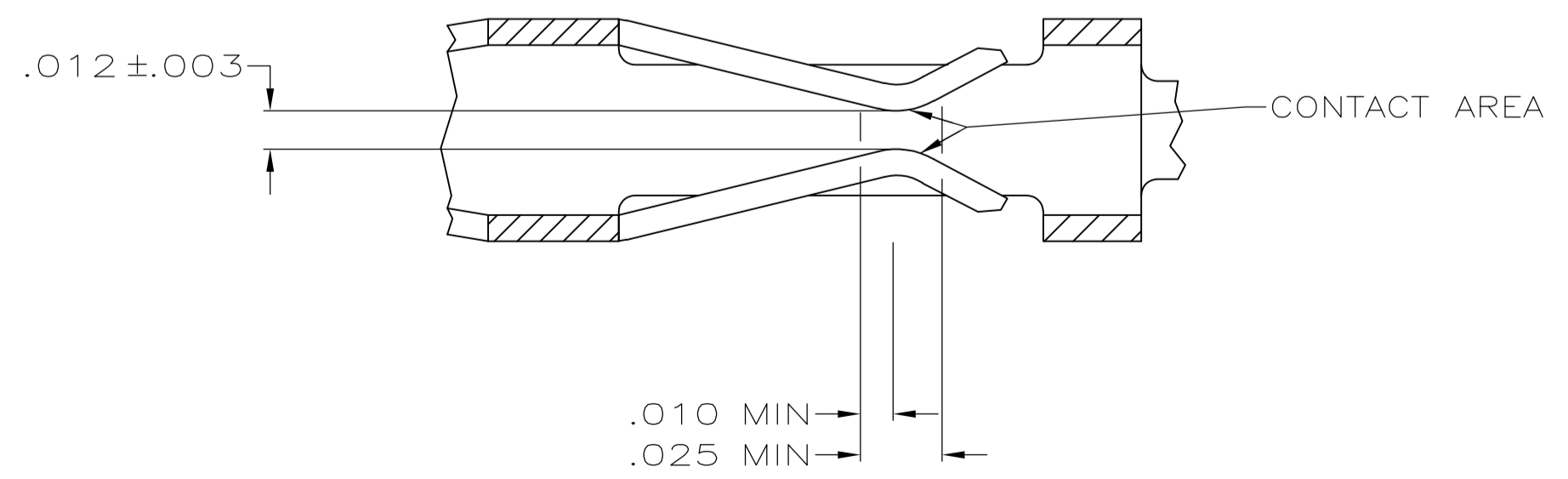


SECTION A-A
SCALE 20:1

- 1 .000100 MIN BRIGHT TIN-LEAD OVER .000050 MIN NICKEL ON ENTIRE CONTACT
- 2 .000050 MIN NICKEL ON ENTIRE CONTACT; .000015 MIN GOLD ON CONTACT AREA; .000050 MIN BRIGHT TIN-LEAD ON AREA M.
- 3 .000050 MIN NICKEL ON ENTIRE CONTACT; .000030 MIN GOLD ON CONTACT AREA; .000050 MIN BRIGHT TIN-LEAD ON AREA M.
- 4 LOOSE PIECE CUT-OFF DIMENSION.
- 5 OBSOLETE PART NUMBER.
- 6 .000015 MIN GOLD ON CONTACT AREA, .000050 MIN TIN ON AREA M, ALL OVER .000050-.000100 NICKEL ON ENTIRE CONTACT.
- 7 .000030 MIN GOLD ON CONTACT AREA, .000050 MIN TIN ON AREA M, ALL OVER .000050-.000100 NICKEL ON ENTIRE CONTACT.
- 8 .000100-.000200 TIN OVER .000050 MIN NICKEL ON ENTIRE CONTACT.



SECTION B-B
INSULATION RANGE .025-.060
SCALE 20:1



SECTION D-D
SCALE 20:1

SECTION C-C
SCALE 20:1

REMARKS	FINISH	PART NO
STRIP	8	1-104480-7
LOOSE PIECE	7 REF	1-104480-6
LOOSE PIECE	6 REF	1-104480-5
LOOSE PIECE	8 REF	1-104480-4
STRIP	7	1-104480-3
STRIP	6	1-104480-2
LOOSE PIECE		1-104480-1
LOOSE PIECE		1-104480-0
LOOSE PIECE	3 REF	104480-9
LOOSE PIECE	2 REF	104480-8
LOOSE PIECE	1 REF	104480-7
STRIP		104480-6
STRIP		104480-5
STRIP	3	104480-4
STRIP	2	104480-3
STRIP	1	104480-2

THIS DRAWING IS A CONTROLLED DOCUMENT.

DIMENSIONS: INCHES	TOLERANCES UNLESS OTHERWISE SPECIFIED:	DWG: C. OBERMAN 5-10-89	CHK: K. HELM 5-12-89	APPROV: R. ELICKER 5-12-89	NAME: R. ELICKER
0 PLC ± -	1 PLC ± -	2 PLC ± -	3 PLC ± .005	4 PLC ± -	ANGLES ± -
MATERIAL: PHOSPHOR BRONZE	FINISH: SEE TABLE	WEIGHT: -	SIZE: A1	CAGE CODE: 100779	DRAWING NO: 104480
CUSTOMER DRAWING		SCALE: 10:1	SHEET: 1 OF 1	REV: S1	

STE TE Connectivity

CONTACT, CRIMP SNAP-IN
AMPMODU SHORT POINT, 22-26 AWG

Mouser Electronics

Authorized Distributor

Click to View Pricing, Inventory, Delivery & Lifecycle Information:

[TE Connectivity:](#)

[1-104480-2](#)