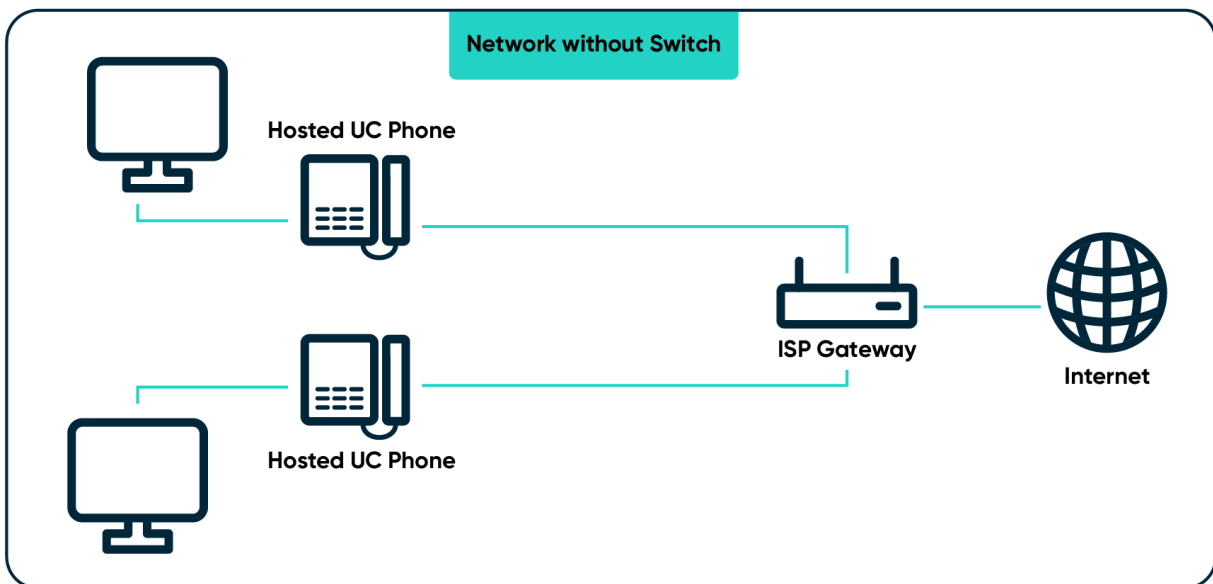
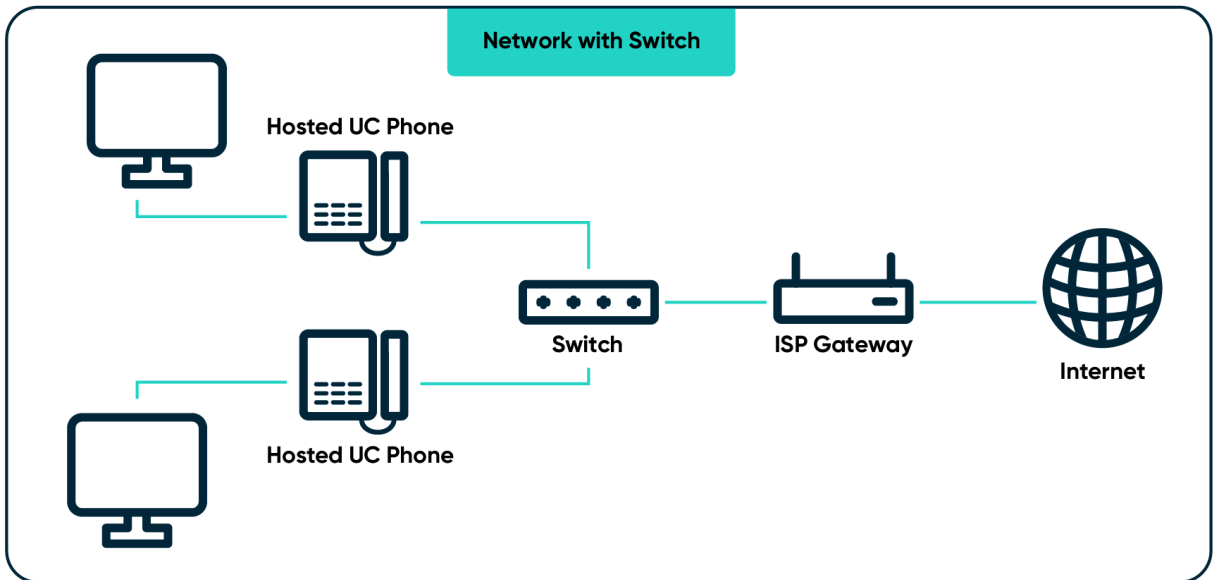


Hosted UC Network Diagram

Network Readiness—Recommended

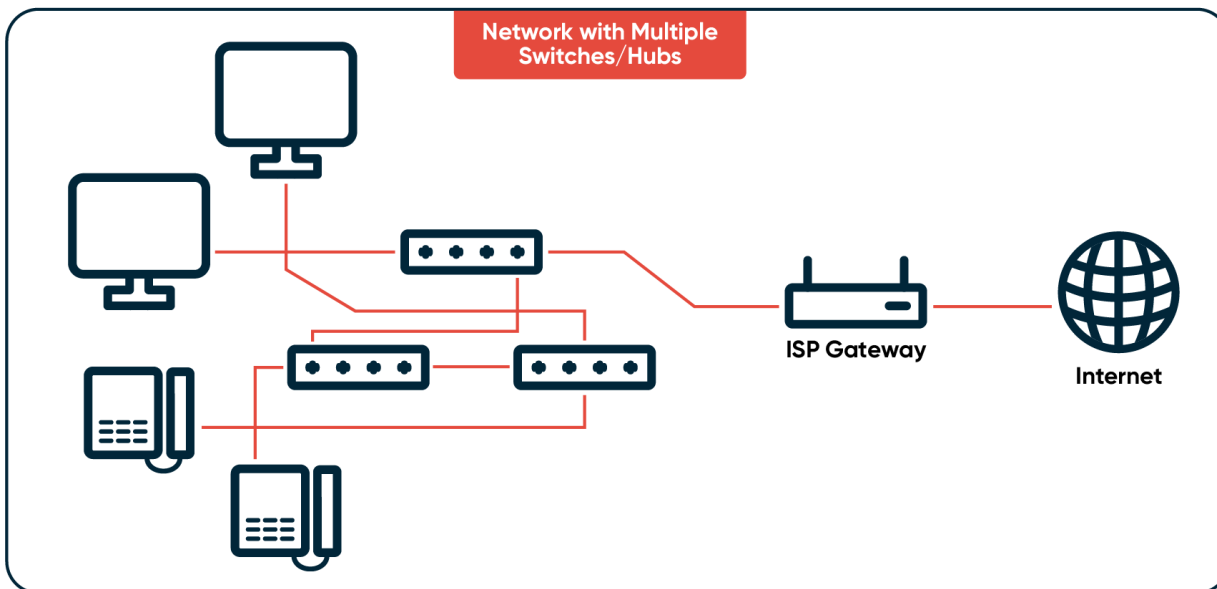
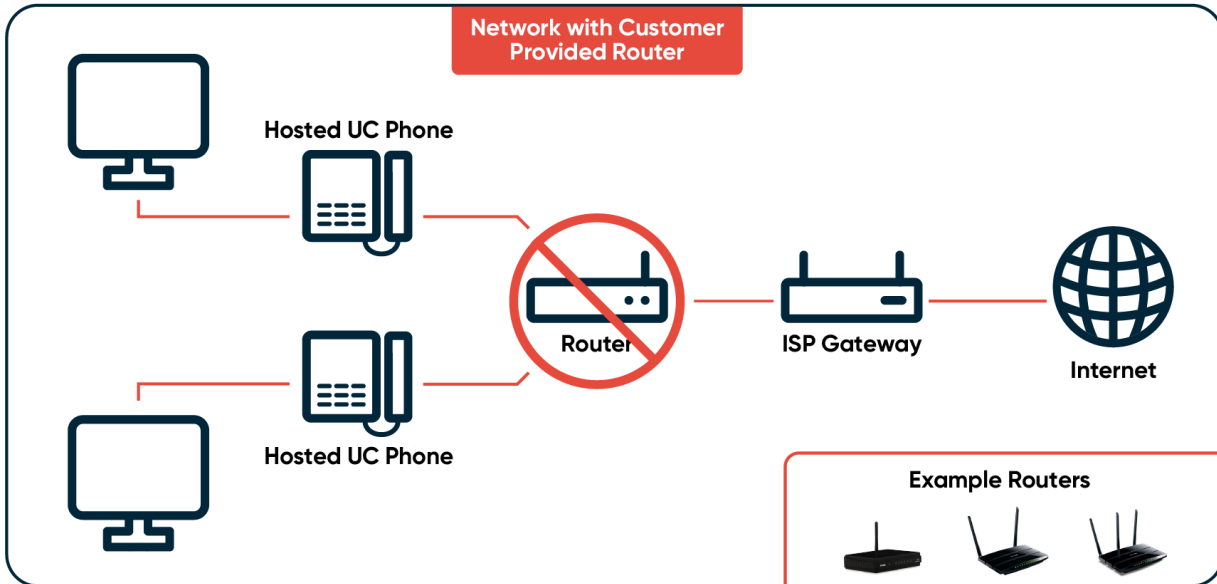


- ISP Gateway has 4 ports for Phone and/or Computer. If more than 4 are required. Installation of switch will be required.
- Plug your phones into the network. Your computer cable can be plugged into the back of your phone.
- This setup will minimize variables in the Local Area Network.
- If your network does not include a PoE switch, you will require power adapters for each handset.

Communications, covered.

Hosted UC Network Diagram

Network Readiness—NOT Recommended



- Ensure that phones are not installed behind a customer provided router. This may cause abnormal behavior with the phone, including voice quality and potential call failures.
- Multiple switches/routers within a network can cause latency if not configured correctly. These are normally located in writing closets, the ceiling, or under desks.
- If a customer provided router is required, please consult with your IT vendor.

Communications, covered.