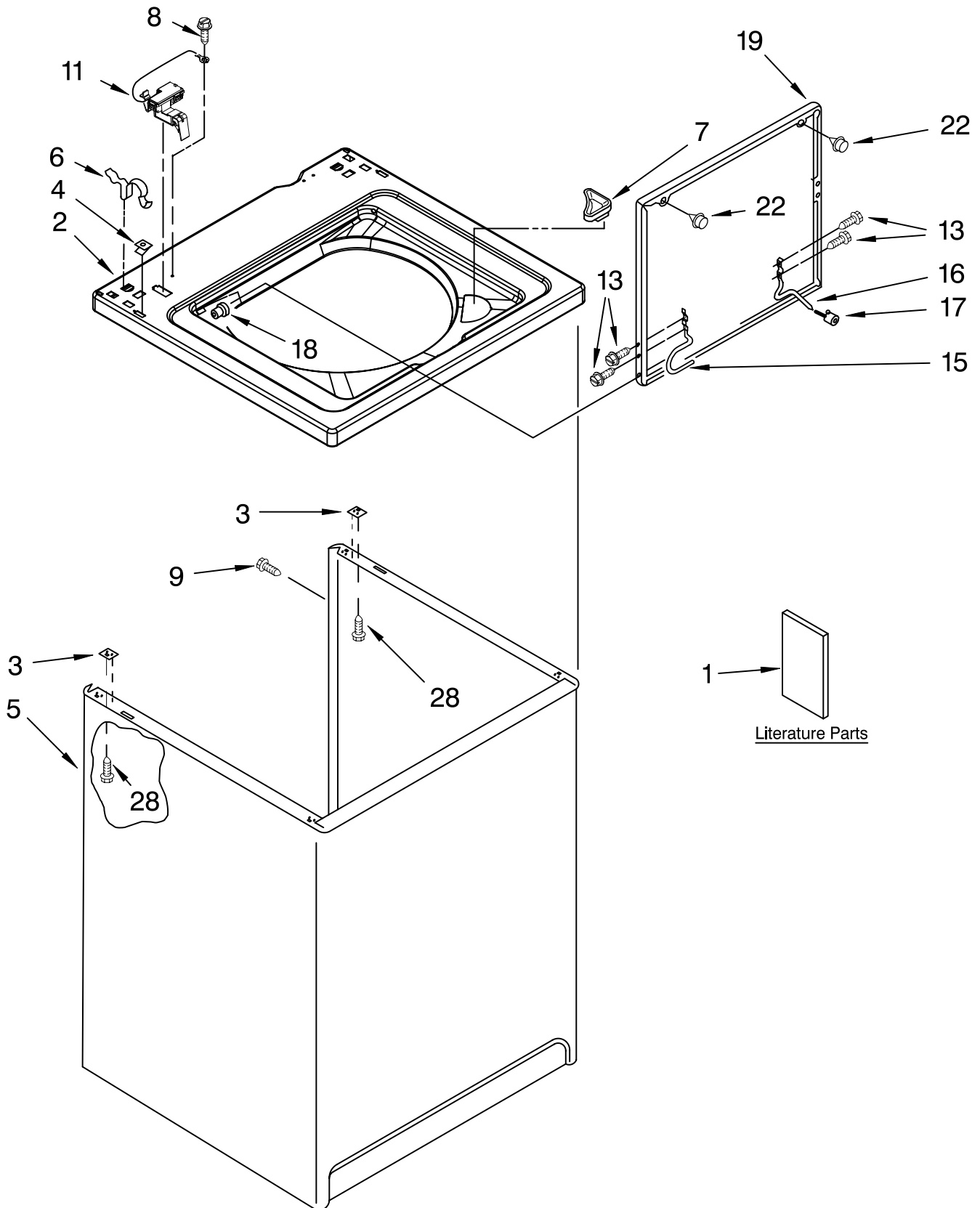




TOP AND CABINET PARTS

For Model: LSQ9564MQ0
(Designer White)

AUTOMATIC
WASHER



FOR ORDERING INFORMATION REFER TO PARTS PRICE LIST

TOP AND CABINET PARTS

For Model: LSQ9564MQ0
(Designer White)

<u>Illus. No.</u>	<u>Part No.</u>	<u>DESCRIPTION</u>
1		Literature Parts
	LIT3956025	Installation Instructions
	LIT3955907	Feature Sheet
	LIT3955869	Use & Care Guide
	LIT3956360	Energy Guide
	LIT8557563	Wiring Diagram

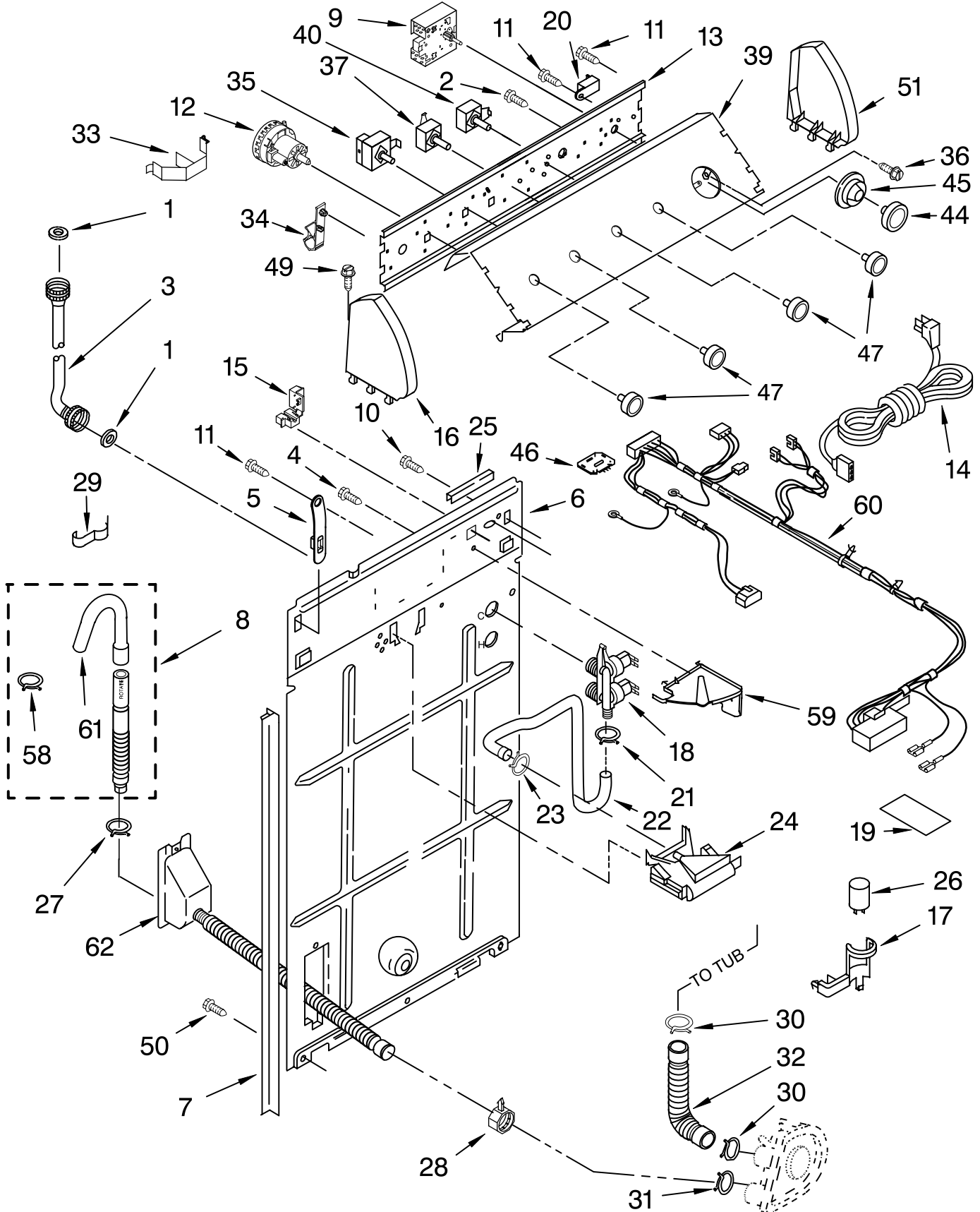
Following May Be Purchased

DO-IT-YOURSELF REPAIR MANUALS

	LIT4313896	Manual, Washer Do-It-Yourself
2	8318064	Top
3	62750	Spacer, Cabinet To Top (4)
4	357213	Nut, Push-In (2)
5	63424	Cabinet
6	62780	Clip, Top & Cabinet & Rear Panel (2)
7	3362952	Dispenser, Bleach
8	3351614	Screw, Ground
9	3357011	Screw, 10-16 x 1/2
11	8318084	Switch, Lid
13	3351355	Screw, Lid Hinge Mounting (4)
15	8318088	Hinge, Lid (L.H.)
16	54583	Hinge, Lid (R.H.)
17	19119	Bumper, Lid Hinge
18	21258	Bearing, Lid Hinge (2)
19	8542387	Lid
22	9724509	Bumper, Lid (2)
28	3390631	Screw, 10-16 x 3/8 (4)

CONTROLS AND REAR PANEL PARTS

For Model: LSQ9564MQ0
(Designer White)



FOR ORDERING INFORMATION REFER TO PARTS PRICE LIST

CONTROLS AND REAR PANEL PARTS

For Model: LSQ9564MQ0

(Designer White)

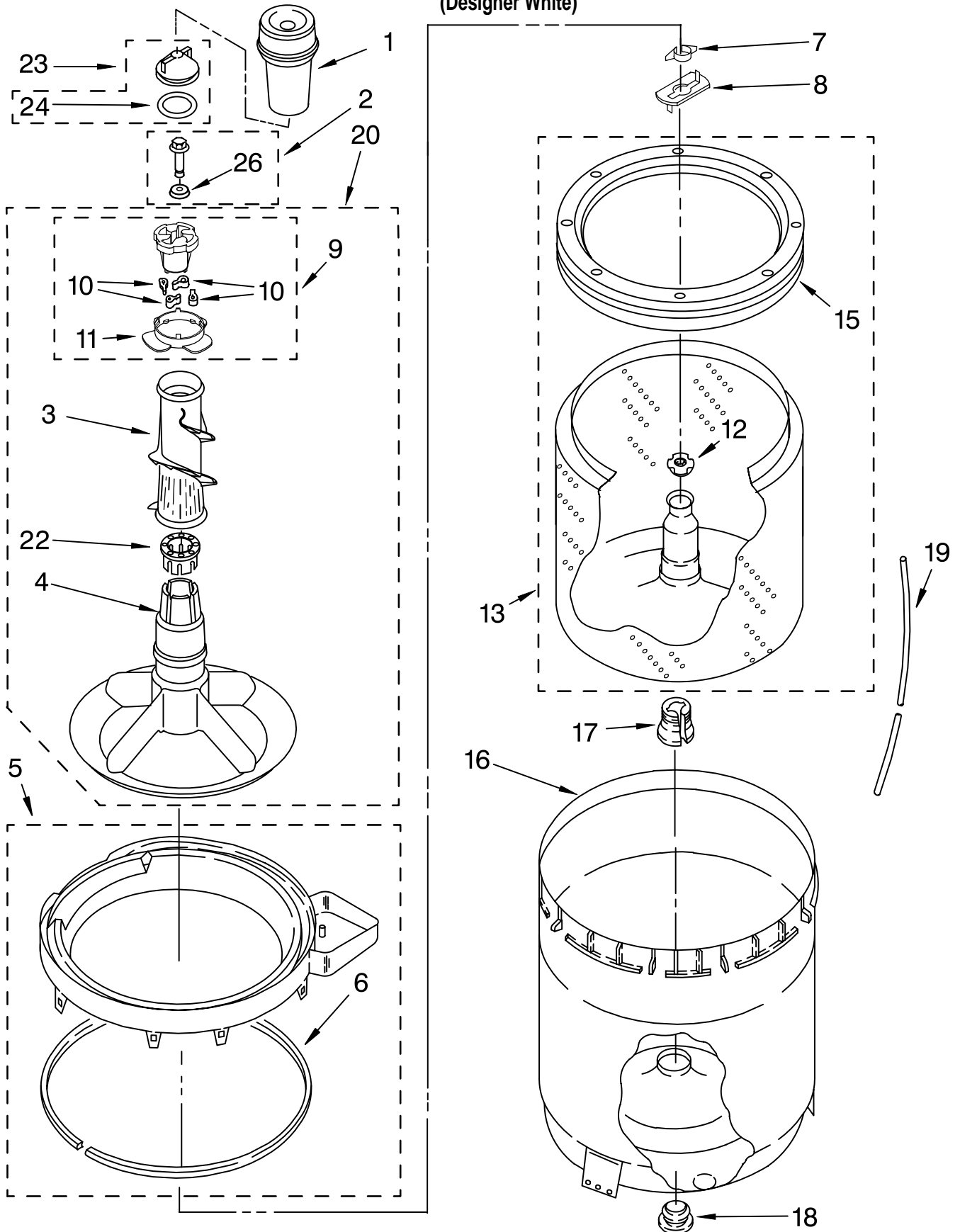
Illus. No.	Part No.	DESCRIPTION	Illus. No.	Part No.	DESCRIPTION	Illus. No.	Part No.	DESCRIPTION
1	3976300	Washer, Water Inlet Hose (4) (1-1/16 x 5/8)	12	3366847	Switch, Water Level	33	8055003	Clip, Harness & Pressure Hose
2	3400073	Screw, Ground	13	3948608	Bracket, Control	34	8317975	Retainer, Harness
3		Hose, Water Inlet (2)	14	661661	Cord, Power (Includes Item 15)	35	3950358	Switch, Water Temperature
	3949374	Blue Coupler	15	3952821	Strain Relief, Power Cord	36	3400064	Screw, Timer Mounting (2)
	3949375	Red Coupler	16	8271365	Cap, End (L.H.)	37	3954129	Switch, Rotary
4	9740848	Screw	17	8318201	Clip, Capacitor	39	3954190	Panel, Console
5	8318255	Strap, Console (2)	18	3979347	Valve, Water Inlet & Thermistor Assy.	40	3949180	Switch, Rotary
6	3357978	Panel, Rear	19	3976286	Shield, Capacitor	44	8274290	Knob, Timer
7	62747	Pad, Rear Panel	20	694419	Mini-Buzzer	45	8271351	Dial, Timer
8	3951609	Hose, Drain (4 ft.)	21	8533946	Clamp, Hose	46	8539879	Control, ATC
	661577	Hose, Drain (9 ft.) (Not Included)	22	8317974	Hose, Vacuum Break	47	8271339	Knob, Control
	3357090	Extension Drain Hose (21 Inches) (Not Included.)	23	9724996	Clamp, Hose	49	388326	Screw, 8-18 x 1.25 (Panel to Top)
9	3954071	Timer, Control (60 Hz.) (Motor Not A Service Part)	24	387606	Break, Vacuum	50	62863	Screw, 10-16 x 3/8
			25	303294	Edge Protector	51	8271359	Cap, End (R.H.)
			26	661606	Capacitor, Motor Start	58	3366913	Clamp, Hose
			27	3366912	Clamp, Hose	59	8539874	Shield, Suds
			28	3976395	Clamp, Hose	60	3956726	Harness, Wiring (For Detail See Pages 9 & 10)
			29	3347812	Clip, Harness			
			30	3363366	Clamp, Hose	61	3357027	Nozzle-Drain Hose
10	3351614	Screw	31	8317496	Clamp, Hose	62	8317940	Drain Hose Assembly
11	90767	Screw 8-18 x 3/8	32	3951449	Hose, Pump To Tub (Includes #30)			

FOR ORDERING INFORMATION REFER TO PARTS PRICE LIST

AGITATOR, BASKET AND TUB PARTS

For Model: LSQ9564MQ0

(Designer White)



FOR ORDERING INFORMATION REFER TO PARTS PRICE LIST

AGITATOR, BASKET AND TUB PARTS

For Model: LSQ9564MQ0

(Designer White)

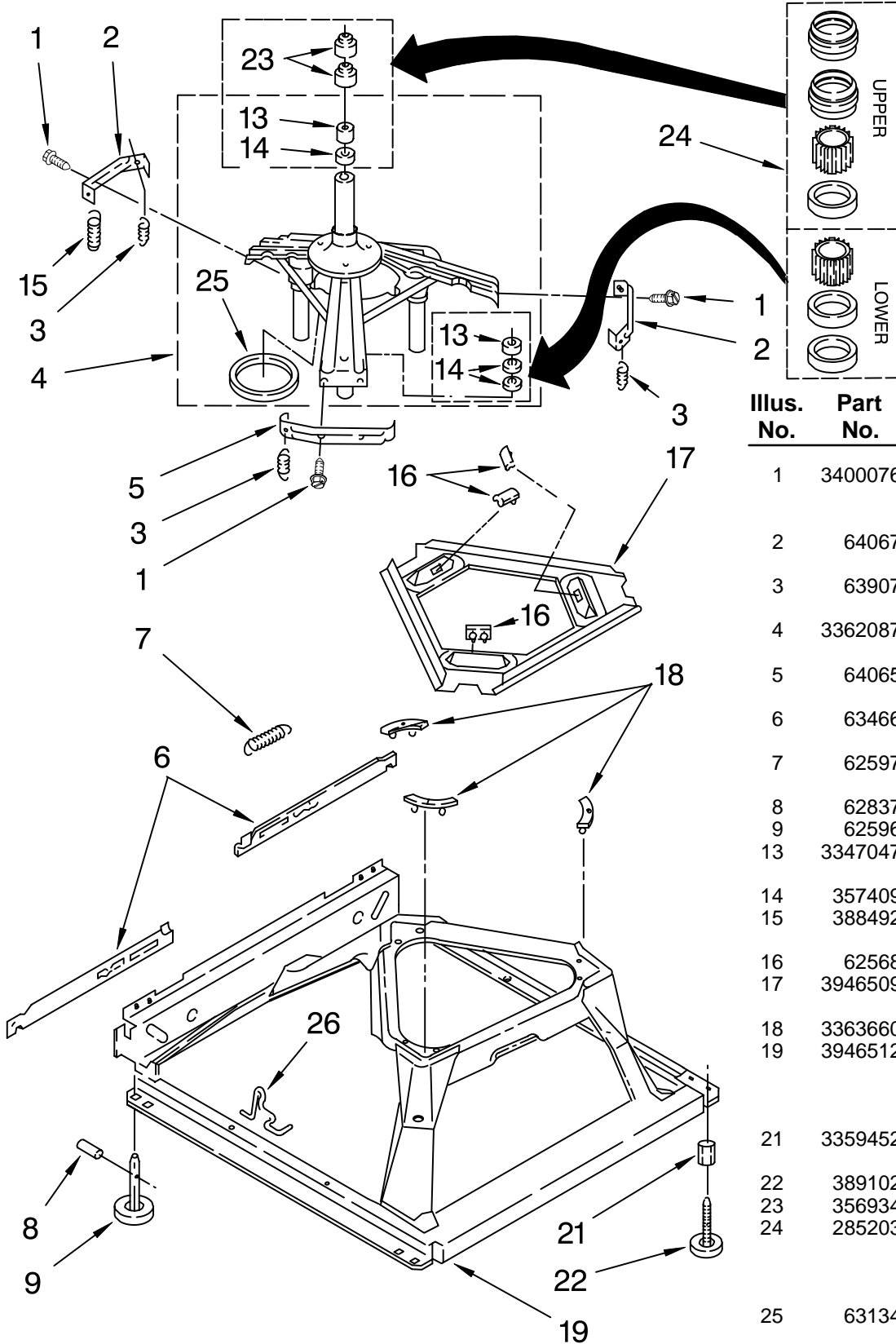
Illus. No.	Part No.	DESCRIPTION
1	63580	Dispenser
2	358237	Screw & Washer (5/16-24 x 1)
3	3363003	Clothes Mover
4	3347288	Agitator
5	8528150	Tub Ring & Gasket
6	3976308	Gasket, Tub Ring
7	3354845	Clip, Agitator
8	3355921	Washer, Agitator
9	3363663	Cam Driven
10	3366877	Dog, Agitator Clutch
11	3363661	Bearing-Driven Cam
12	21366	Nut, Spanner
13	8526016	Basket & Balance Ring
15	8519788	Balance Ring
16	63849	Tub
17	389140	Block, Basket Drive
18	383727	Gasket, Centerpost
19	3347780	Hose, Pressure Switch
20	3946501	Agitator (Complete)
22	3350389	Spacer, Thrust
23	3354733	Cap, Barrier
24	3348855	Seal, Inner Cap
26	3949550	Washer

FOR ORDERING INFORMATION REFER TO PARTS PRICE LIST

MACHINE BASE PARTS

For Model: LSQ9564MQ0

(Designer White)

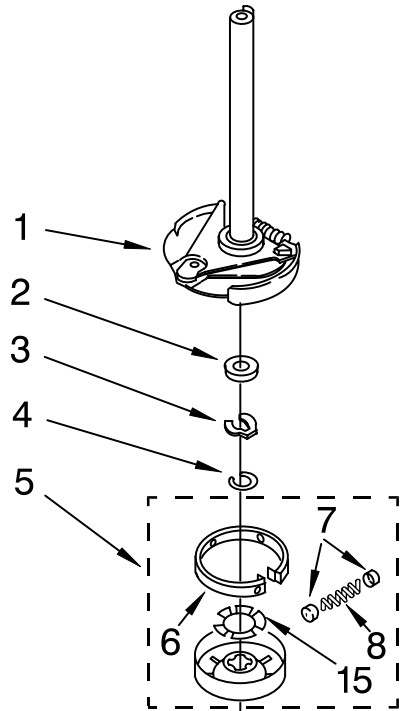


Illus. No.	Part No.	DESCRIPTION
1	3400076	Screw, Bracket Mounting (10-32 x 5/8)
2	64067	Bracket, Spring Outer (2)
3	63907	Spring Suspension, (3)
4	3362087	Support & Brake, Tub
5	64065	Bracket, Spring Outer (L.F.)
6	63466	Link, Leveling Mechanism (2)
7	62597	Spring, Leveling Mechanism
8	62837	Pin, Knurled
9	62596	Foot, Rear (2)
13	3347047	Bearing, Centerpost (2)
14	357409	Seal, Centerpost (3)
15	388492	Spring, Counterweight
16	62568	Pad, Plate
17	3946509	Plate, Suspension (Includes Illus. 16)
18	3363660	Pad, Base
19	3946512	Base Assembly (Includes Illus. 6, 7, 8, 9, 16, 17, 18, & 26)
21	3359452	Nut, Lock (3/8-16) (2)
22	389102	Foot, Front (2)
23	356934	Seal, Centerpost (2)
24	285203	Centerpost Bearing Kit (Includes Illus. 13, 14 & 23)
25	63134	Ring, Sound Deadening
26	63806	Retainer, Suspension Spring

FOR ORDERING INFORMATION REFER TO PARTS PRICE LIST

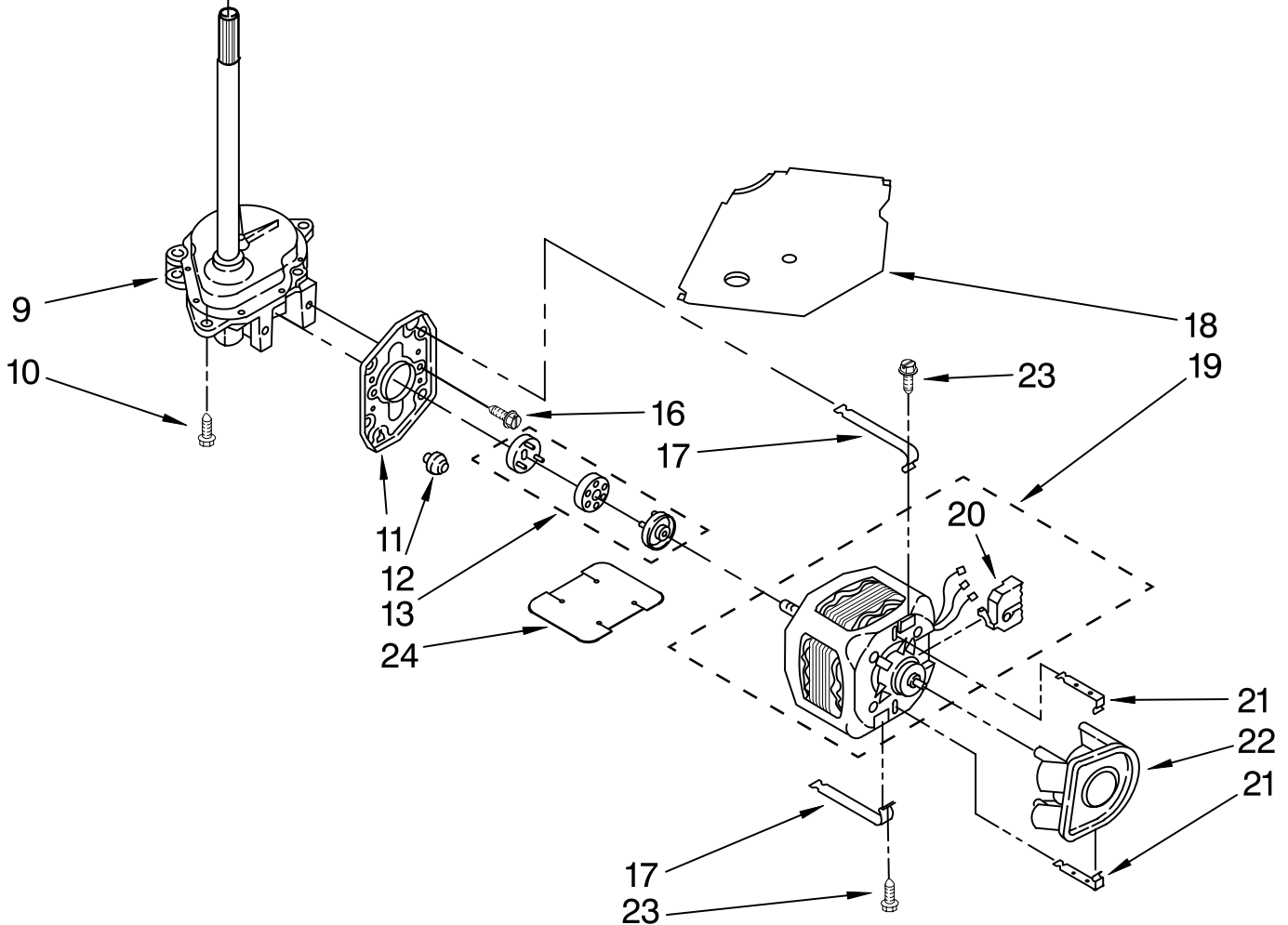
BRAKE, CLUTCH, GEARCASE, MOTOR AND PUMP PARTS

For Model: LSQ9564MQ0
(Designer White)



Illus. No.	Part No.	DESCRIPTION
1	388952	Brake & Drive Tube (Complete) (Refer to Page 11 For Further Breakdown)
2	63292	Washer, Spin Tube Thrust
3	62697	Ring, Spin Tube Support
4	63283	Ring, Retainer
5	3951311	Clutch (Complete)
6	3951308	Band & Lining, Clutch (Includes Illus. 7 & 8)
7	62646	Cap, Clutch Spring (2)
8	3946792	Spring, Clutch
9	3360630	Gearcase (Complete) (Refer To Page 12 For Further Breakdown)

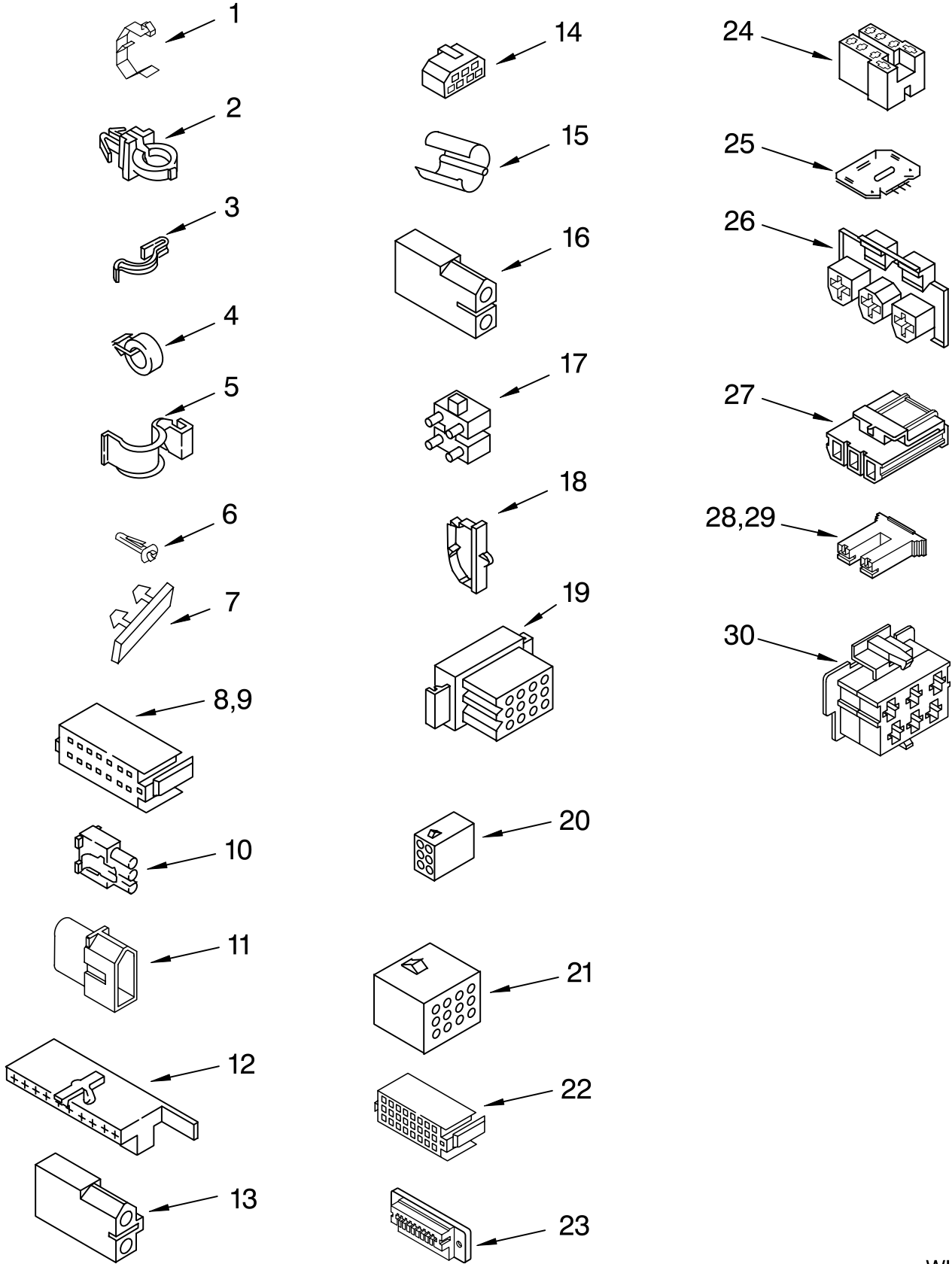
Illus. No.	Part No.	DESCRIPTION
10	3357334	Screw, Gearcase To Base (3)
11	62611	Plate, Motor Mount To Gearcase
12	62691	Grommet, Motor (4)
13	285753	Coupling, Motor & Isolation
15	3355454	Clip, Anti-Rattle
16	3400516	Screw
17	3349637	Retainer, Motor (2)
18	3362089	Shield, Tub To Motor
19	8528157	Motor, Main Drive
20	3952056	Switch, Main Drive Motor
21	62700	Retainer, Pump (2)
22	3363394	Pump (Complete)
23	3387485	Screw, 10-16 x 5/8
24	3946532	Shield, Motor



FOR ORDERING INFORMATION REFER TO PARTS PRICE LIST

WIRING HARNESS PARTS

For Model: LSQ9564MQ0
(Designer White)



WH2G

FOR ORDERING INFORMATION REFER TO PARTS PRICE LIST

WIRING HARNESS PARTS

For Model: LSQ9564MQ0

(Designer White)

Illus. No.	Part No.	DESCRIPTION	Illus. No.	Part No.	DESCRIPTION	Illus. No.	Part No.	DESCRIPTION
1	3349557	Clip, Harness	13	3348075	Block, Disconnect (Motor 3 Speed) (Use Term. 94613 Or 94614.)	23	3349494	Connector, Etc
2	388498	Clip, Harness				24	60687	Connector, Relay (Use Term.308569)
3	3347812	Clip, Harness	14	3347243	Block, Disconnect (Use Term. 352088)	25	3407125	E.T.C. Control
4	3352501	Clip, Harness				26	3948617	Connector (T.P.A.) (3-Circuit) (Lid Switch) (Use Term. 3948619 OR 3948620.)
5	90016	Clip, Harness	15	63523	Protector	27	3360056	Connector (T.P.A.) (3-Circuit) (Pressure Switch) (Use Term.3948619 OR 3948620.)
6	3390496	Clip, Harness	16	717252	Connector (2-Way) (Use Term.94614)	28	3354925	Block, Connector (Cold Valve) (Use Term.693217)
7	389379	Retainer, (Suds Models)	17	387566	Plug, Terminal (4-Way) (Power Cord) (Use M3 Screws)	29	3354926	Block, Connector (Hot Valve) (Use Term.693217)
8	352090	Timer, Block Disconnect (White)	18	3352944	Clip, Harness	30	3948615	Connector (T.P.A.) (6-Circuit) (Temp. Switch) (Use Term.3948619 OR 3948620.)
9	352089	Timer, Block Disconnect (Black)	19	3390423	Block, Disconnect (12-Way) (Timer) (Use Term. 94613)			
10	62889	Receptacle, Terminal (3-Way) (Lid Switch) (Use Term.94613) Or 94614.)	20	3347730	Receptacle (6-Way) (Use Term. 94613)			
11	353424	Plug, Terminal (3-Way) (Power Cord) (Use Term.94613)	21	388818	Plug, Terminal (12-Way) (Use Term. 94613 Or 94614.)			
12	62505	Block, Disconnect (Motor 2 Speed) (Use Term.352088)	22	3369366	Timer, Block Disconnect (Black) (Amp) (Use Term.3369365)			

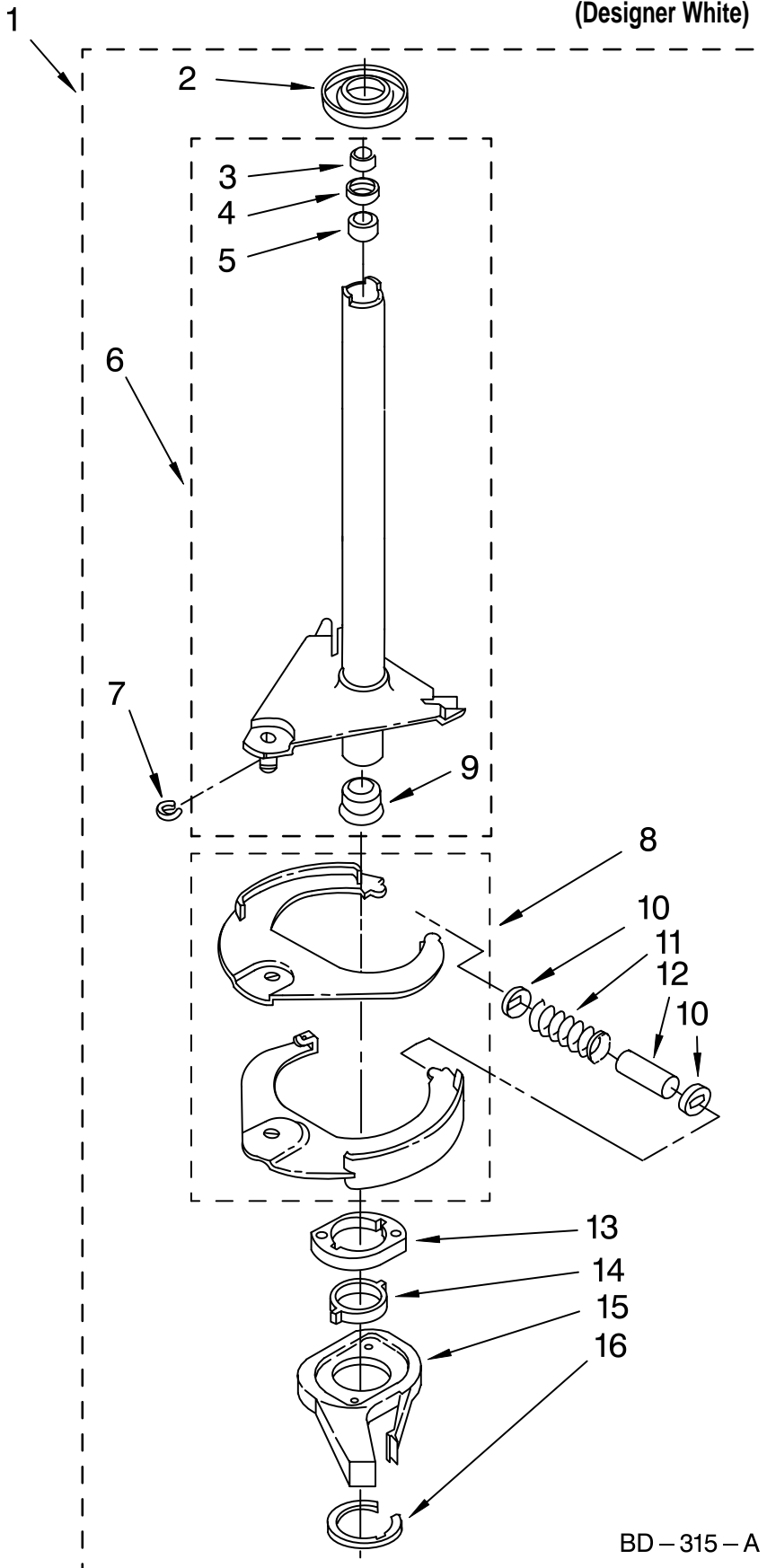
**FOR COMPLETE WIRING HARNESS REFER TO
CONTROL AND REAR PANEL PARTS PAGE**

WH2G

FOR ORDERING INFORMATION REFER TO PARTS PRICE LIST

BRAKE AND DRIVE TUBE PARTS

For Model: LSQ9564MQ0
(Designer White)



Illus. No.	Part No.	DESCRIPTION
1	388952	Brake And Drive Tube (Complete)
2	62658	Ring, Thrust
3	91939	Seal, Oil
4	356427	Seal, Drive Tube
5	356937	Spacer, Drive Tube
6	64027	Tube, Basket Drive (Includes Illus. 3, 4, 5 & 9)
7	64035	Ring, Retaining
8	64232	Shoe, Brake
9	62703	"T" Bearing, Spin Tube
10	62648	Cap, Brake Spring (2)
11	387806	Spring, Brake
12	62909	Sleeve, Brake Spring
13	63023	Cam, Brake Release
14	63022	Sleeve, Cam
15	64194	Driver, Brake Cam
16	90368	Ring, Retaining

FOLLOWING PARTS
NOT ILLUSTRATED

285208 Lubricant
(Use Only In
Brake Shoe
Assembly On
Roller & Pin)

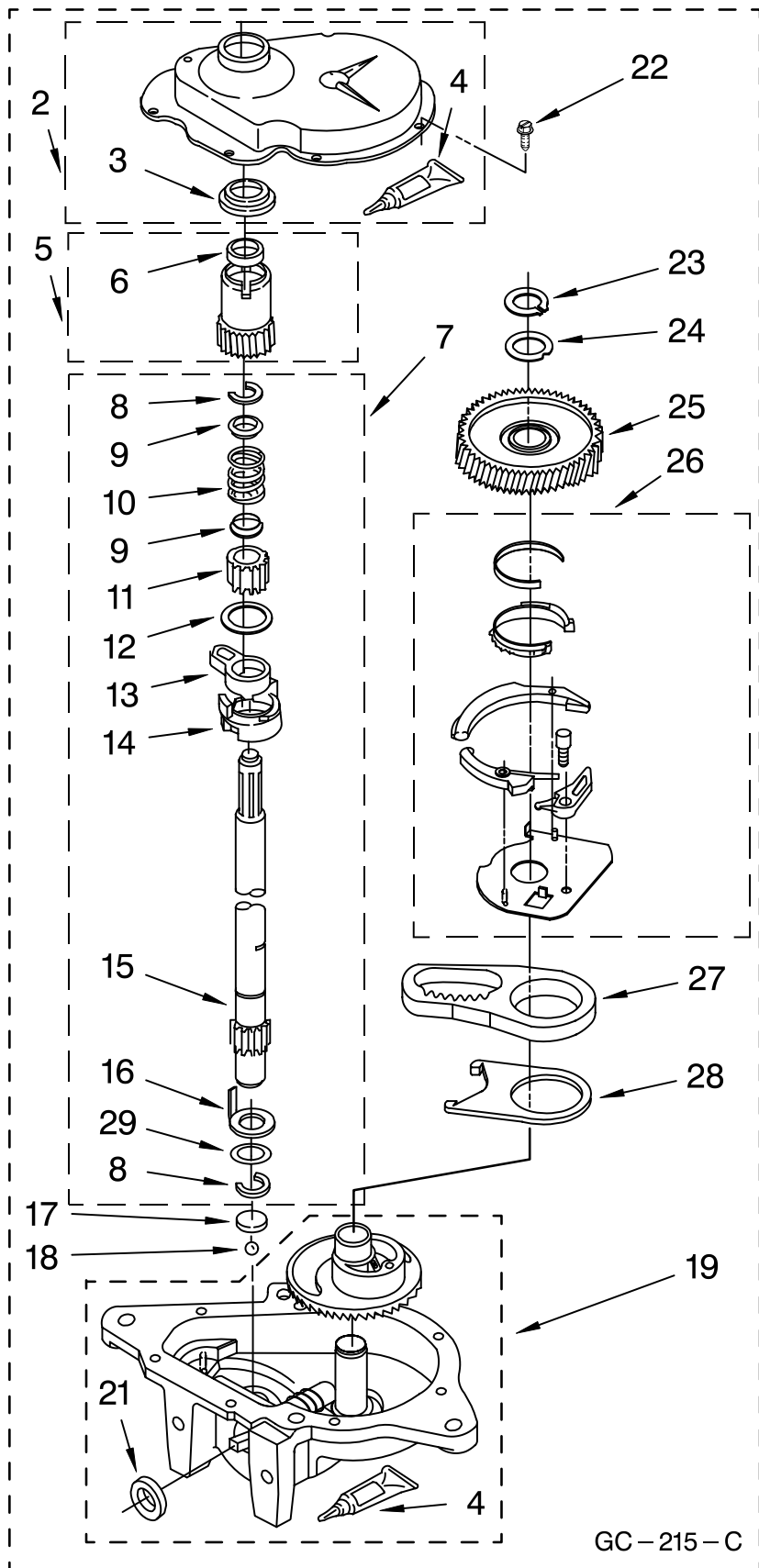
BD-315-A

FOR ORDERING INFORMATION REFER TO PARTS PRICE LIST

GEARCASE PARTS

For Model: LSQ9564MQ0

(Designer White)



Illus. No.	Part No.	DESCRIPTION
1	3360630	Gearcase (Complete)
2	285202	Cover, Gearcase
3	3349985	Seal, Gearcase Cover
4	285195	Sealer, Gasket (.20 Fl. Oz.) (6 ml)
5	63320	Pinion, Spin (Includes Illus. 25)
6	356427	Seal, Spin Pinion
7	389387	Shaft, Agitator (Complete)
8	90369	Ring, Retaining (2)
9	62677	Retainer, Spring
10	62676	Spring, Agitate
11	63273	Gear, Agitate (Includes 15 and 29)
12	62619	Washer, Agitate Gear
13	62580	Cam Follower (Includes 14)
14	62581	Cam, Agitate (Includes 13)
15	285509	Shaft, Agitator (Includes 11 and 29)
16	62618	Washer, Cam Thrust
17	16018	Bearing, Thrust
18	85529	Ball, Bearing
19	389230	Bottom and Pinion, Gearcase
21	285352	Seal, Thrust Plug
22	3351614	Screw, Gearcase Cover, Mounting (8) (10-24 x 3/8)
23	3362552	Ring, Retaining
24	285735	Washer Kit, Thrust
25	62570	Gear, Spin
26	388253	Neutral Assembly
27	3349296	Rack, Connecting
28	62621	Actuator, Shift
29	388815	Washer, Intermediate

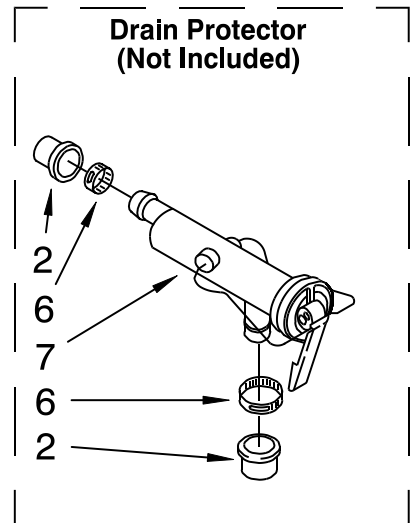
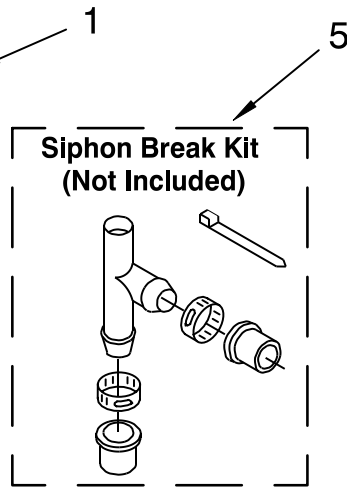
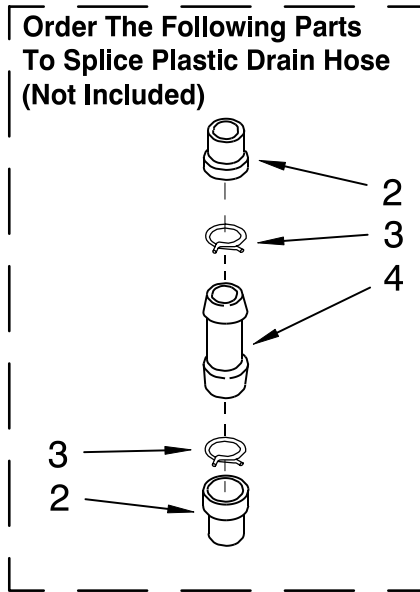
GC-215-C

FOR ORDERING INFORMATION REFER TO PARTS PRICE LIST

WATER SYSTEM PARTS

For Model: LSQ9564MQ0

(Designer White)



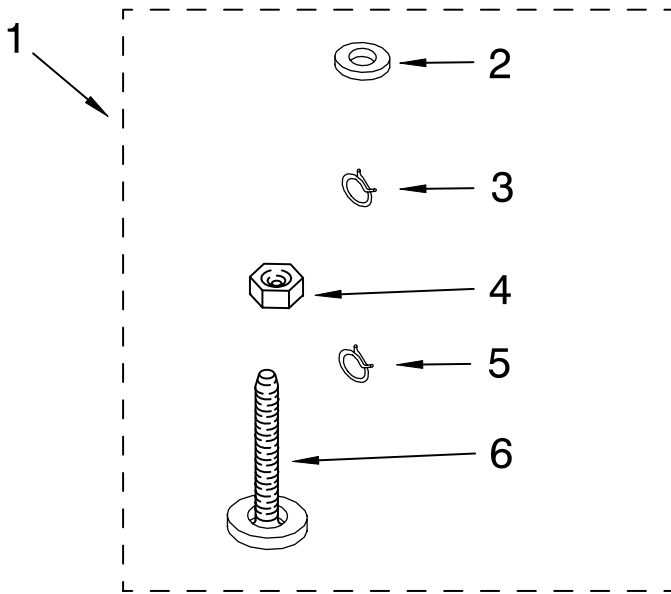
WS400

Illus. No.	Part No.	DESCRIPTION
1	285442	Connector Kit, Plastic Drain Hose
2	285321	Sleeve Kit, (Contains 2 Sleeves)
3	370447	Clamp, Hose
4	16272	Connector, Straight
5	285320	Siphon Break Kit (Not Included)
6	65349	Clamp, Hose
7	367031	Drain Protector (Not Included)

FOR ORDERING INFORMATION REFER TO PARTS PRICE LIST

MISCELLANEOUS PARTS

For Model: LSQ9564MQ0
(Designer White)



Illus. No.	Part No.	DESCRIPTION
1	3976263	Miscellaneous Parts Bag
2	3976300	Washer, Inlet Hose (1-1/16 x 5/8) (4)
3	3366912	Clamp, Hose
4	3359452	Nut, Lock (3/8-16)
5	3366913	Clamp, Hose
6	389102	Foot, Front (2)

OPTIONAL PARTS (NOT INCLUDED)

Illus. No.	Part No.	DESCRIPTION
<u>PAINT, TOUCH-UP (1/2oz.)</u>		
	72017	White
<u>PAINT, PRESSURIZED SPRAY (12 oz.)</u>		
	350938	Primer, Gray
	350930	White
<u>PAINT, BULK (1 qt.)</u>		
	799344	White (Uncut)

Illus. No.	Part No.	DESCRIPTION
<u>OIL</u>		
	350572	Oil, Gearcase (16 Oz.)
<u>LUBRICANT</u>		
	285208	Lubricant (Use Only in Brake Shoe Assembly On Roller and Pin)

Illus. No.	Part No.	DESCRIPTION
<u>SEALER</u>		
	285195	Sealer, Gasket (.20 Fl. Oz.) (6 ml)
<u>ACCESSORY PARTS</u>		
	367031	Drain Protector
	285320	Siphon Break Kit

FOR ORDERING INFORMATION REFER TO PARTS PRICE LIST