

KitchenAid®

BURR COFFEE GRINDER

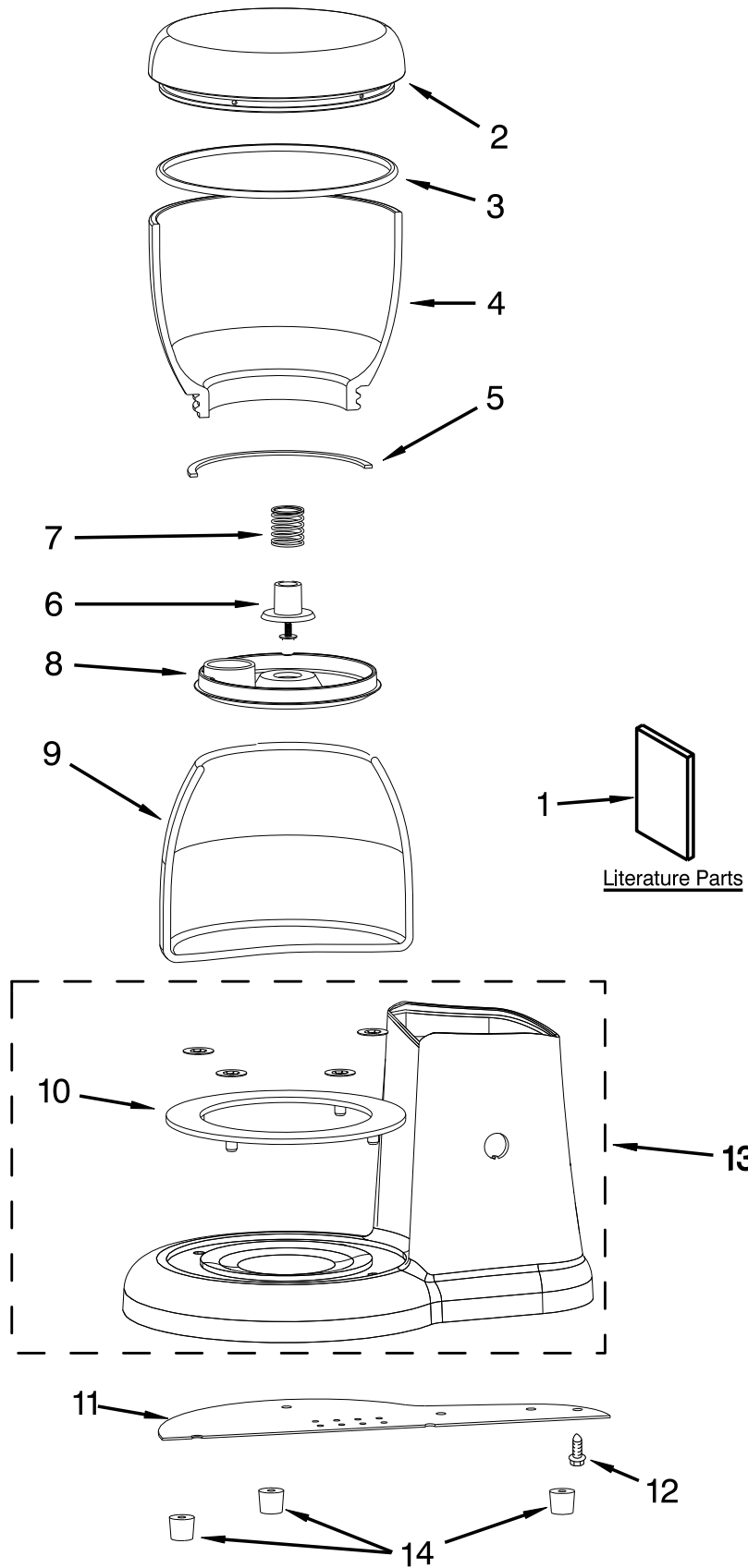
MODELS:

KCG0702CU0 (Contour Silver)

KCG0702ER0 (Empire Red)

KCG0702OB0 (Onyx Black)

PEDESTAL AND JAR ASSEMBLY PARTS



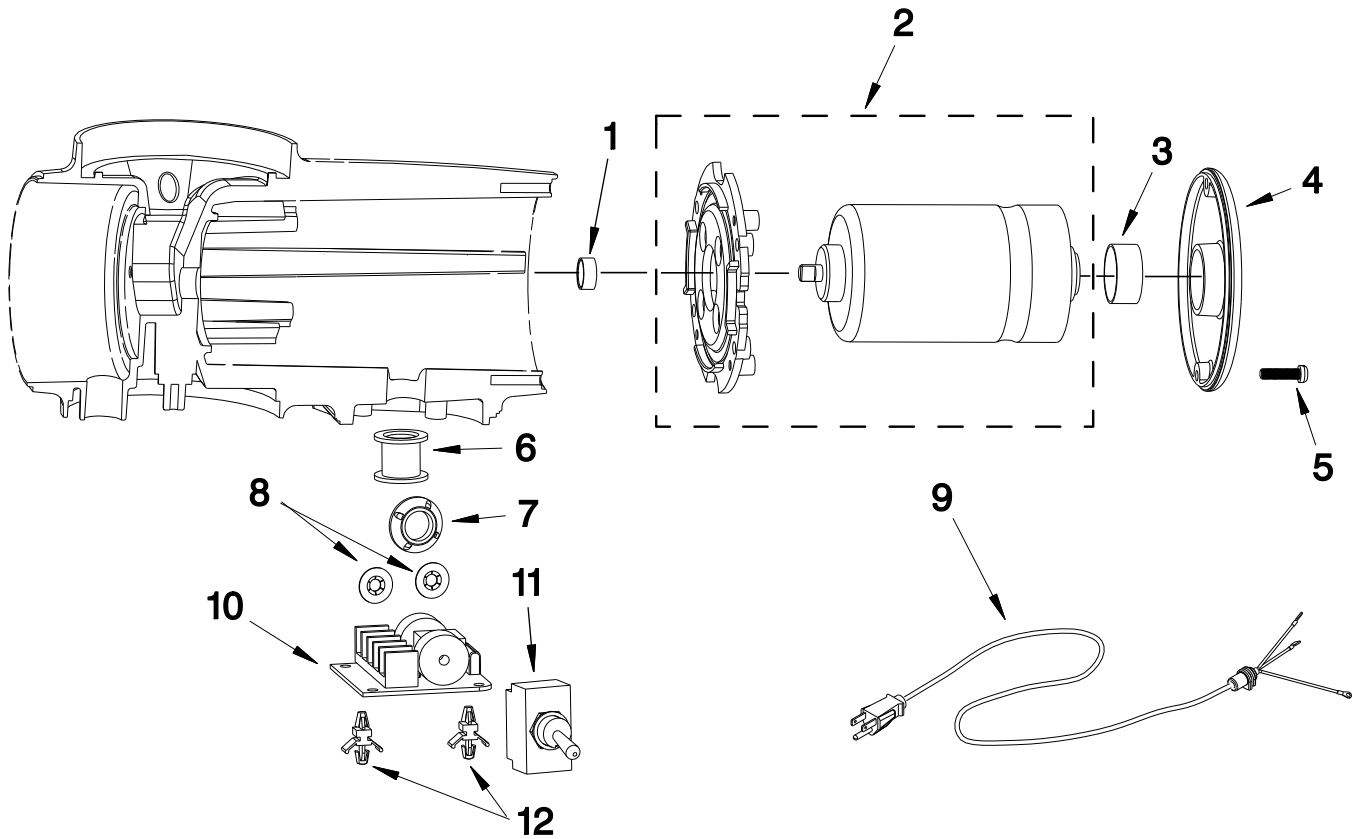
PEDESTAL AND JAR ASSEMBLY PARTS

| <u>Illus. No.</u> | <u>Part No.</u> | <u>Description</u> | <u>Illus. No.</u> | <u>Part No.</u> | <u>Description</u> | <u>Illus. No.</u> | <u>Part No.</u> | <u>Description</u> |
|-------------------|-----------------|------------------------------------|-------------------|-----------------|--------------------|-------------------|-----------------|---|
| 1 | | Literature Parts | 5 | 4176729 | Seal, Bean Jar | 12 | W10845864 | Screw |
| | W10779357 | Use & Care Guide | 6 | 4176723 | Nozzle, Holder | 13 | | Base Assembly (Includes Toggle Switch) |
| 2 | W10845863 | Lid, Bean Jar (Includes Item 3) | 7 | 4176715 | Spring, Housing | | W10845871 | Contour Silver |
| 3 | 4176731 | O-Ring, Lid | 8 | 4176721 | Cover, Nozzle | | W10845866 | Empire Red |
| 4 | W10845861 | Jar, Bean (Includes Item 5) | 9 | 4176728 | Jar, Coffee Ground | | W10845867 | Onyx Black |
| | | | 10 | 4176722 | Ring, Abrasion | 14 | W10845865 | Foot, Base |
| | | | 11 | 4176703 | Cover, Baseplate | | | |

MOTOR HOUSING AND BURR ASSEMBLY PARTS

| <u>Illus.</u> <u>No.</u> | <u>Part No.</u> | <u>Description</u> | <u>Illus.</u> <u>No.</u> | <u>Part No.</u> | <u>Description</u> | <u>Illus.</u> <u>No.</u> | <u>Part No.</u> | <u>Description</u> |
|-----------------------------|-----------------|---------------------|-----------------------------|-----------------|---|-----------------------------|-----------------|--------------------|
| 1 | 4176695 | Guard, Finger | 7 | 8212394 | Spring, Detent | 12 | 4176712 | Screw, Socket |
| 2 | W10845890 | Nameplate | 8 | W10845873 | Screw, Adjustment (Includes Bushing) | 13 | 4176702 | Burr Assembly |
| 3 | W10223450 | Insert, Thread Lock | 9 | 4176705 | Screw, Bezel | 14 | | Housing, Motor |
| 4 | 8212392 | Pin, Detent | 10 | 4176697 | Bezel, Gearbox | | W10845877 | Contour Silver |
| 5 | 4176754 | Bolt, Knob | 11 | 4176694 | Auger Assembly | | W10845874 | Empire Red |
| 6 | 4176718 | Knob, Selector | | | | | W10845875 | Onyx Black |

MOTOR AND CONTROL PARTS



MOTOR AND CONTROL PARTS

| <u>Illus.</u> <u>No.</u> | <u>Part No.</u> | <u>Description</u> | <u>Illus.</u> <u>No.</u> | <u>Part No.</u> | <u>Description</u> | <u>Illus.</u> <u>No.</u> | <u>Part No.</u> | <u>Description</u> |
|-----------------------------|-----------------|--------------------|-----------------------------|-----------------|--------------------|-----------------------------|-----------------|-----------------------------------|
| 1 | 4176707 | Bushing, Copper | 7 | 4176710 | Nut, Switch | 12 | 4176724 | Spacer |
| 2 | W10845881 | Motor Assembly | 8 | 4176713 | Lockwasher | | | OPTIONAL PARTS NOT ILLUSTRATED |
| 3 | 4176726 | Seal, Vibration | 9 | W11391593 | Power Cord | | | |
| 4 | | Cap, Motor | 10 | W10845889 | Control Board | | 4176764 | Scoop, Coffee |
| | W10845885 | Contour Silver | 11 | 4176758 | Switch, Toggle | | 4176763 | Brush, Cleaning |
| | 8212321 | Empire Red | | | | | | |
| | W10217609 | Onyx Black | | | | | | |
| 5 | 4176755 | Screw, Motor Cap | | | | | | |
| 6 | 4176734 | Tube, Housing | | | | | | |