

# WASHER

## Repair Parts List

MODEL NUMBER

MAH8700AWW

When requesting service or ordering parts, always provide the following information:

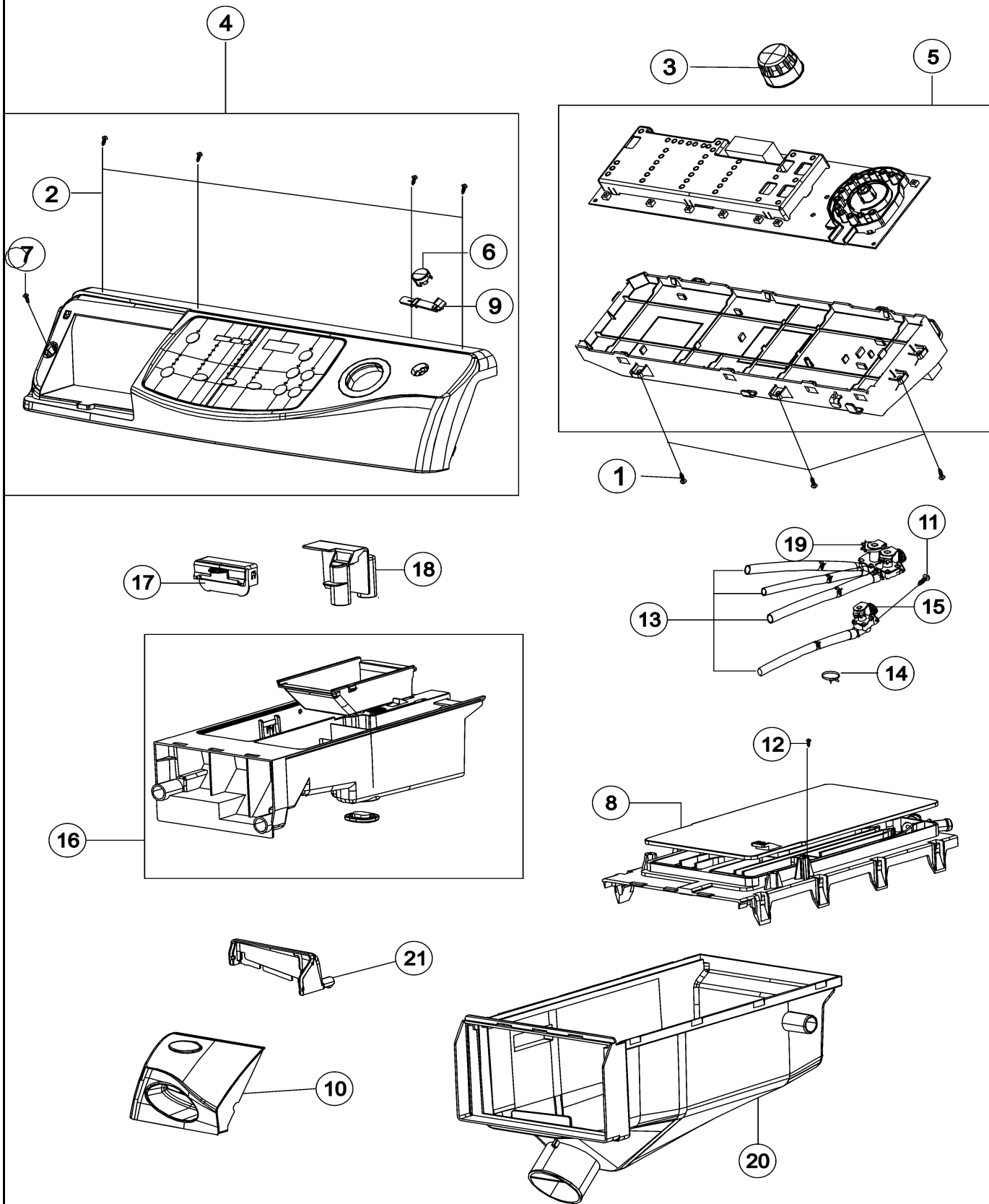
- Product Type
- Part Number
- Model Number
- Part Description

**MAYTAG**®

©2005 Maytag Services

Section: CONTROL PANEL, DISPENSER

Model: MAH8700AWW



LW11-179

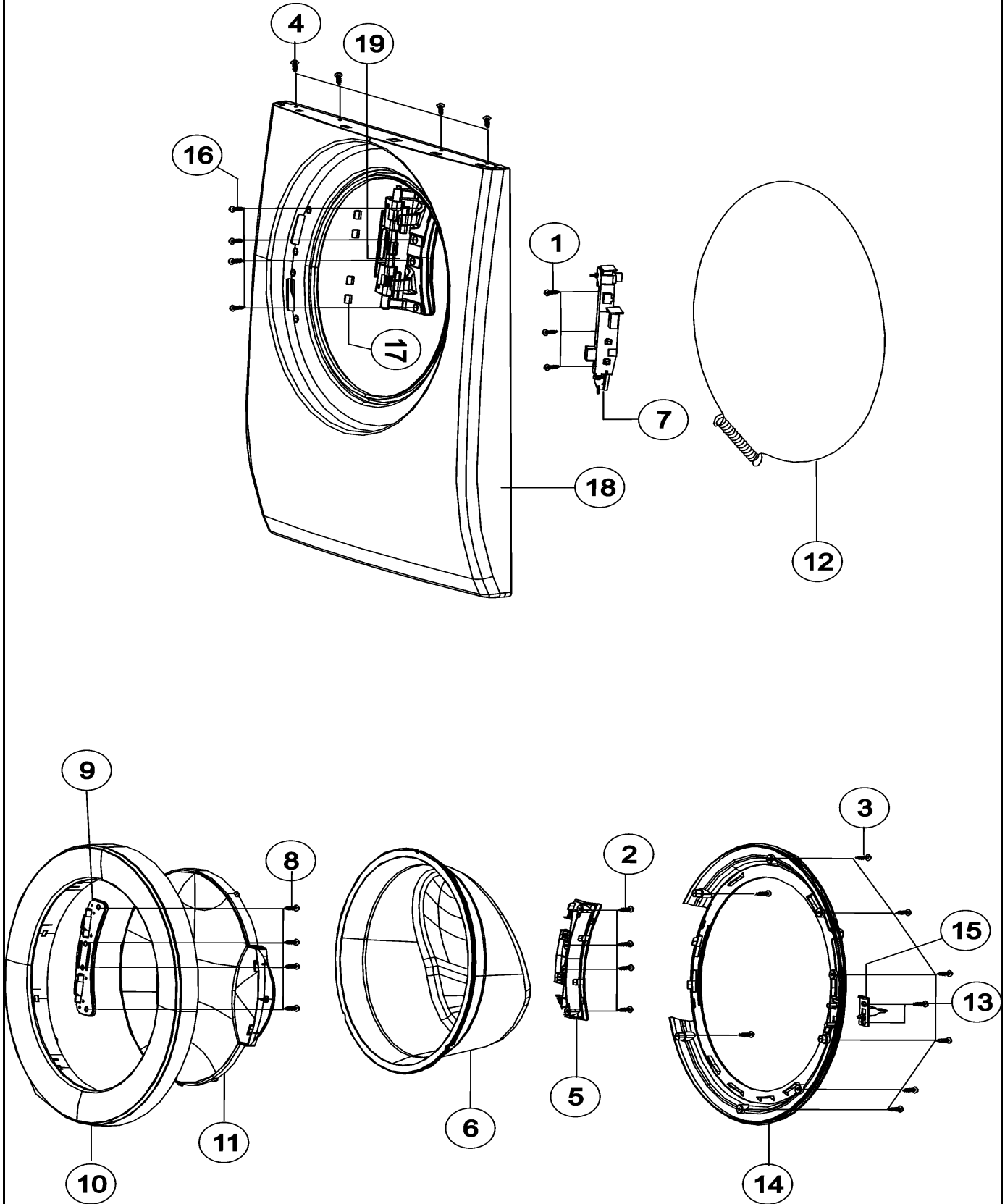
## Section: CONTROL PANEL, DISPENSER

No.	Part No.	Description	Series	Qty
1	34001231	SCREW-TAPPING	10	5
2	34001232	SCREW-TAPPING	10	4
3	34001233	KNOB-ENCODER	10	1
4	34001402	ASSY-PANEL CONTROL	10	1
5	34001472	Serv Asy PCB Part-8700 V401	15	1
5	34001483	PCB-MAH8700 (SERIES 16) DNO	16	1
5	34001484	PCB (MEMS) SENSOR DNO	16	1
5	34001485	HARNESS, WIRE DNO	16	1
5	34001498	CONTROL BOARD (8700)	17	1
5	34001398	PCB ASSEMBLY (8700) DNO	11	1
5	34001404	ASSY PCB PARTS	10	1
5	34001478	CONTROL BOARD (V400)	12	1
6	34001235	BUTTON-PUSH (P)	10	1
7	6002-001006	SCREW-TAPPING;TH,+,2S,M4,L12,-	10	1
8	34001284	ASSY-S HOUSING DRAWER	10	1
9	34001279	LEVER-POWER	10	1
10	34001283	ASSY-S PANEL-DRAWER	10	1
11	34001250	SCREW-TAPTITE	10	4
12	34001232	SCREW-TAPPING	10	1
13	34001249	HOSE-DRAWER	10	3
14	34001208	CLAMP-HOSE	10	8
15	34001131	VALVE-WATER (HOT)	10	1
16	34001282	ASSY-S. BODY DRAWER	10	1
17	34001239	GUIDE-LIQUID	10	1
18	34001240	CAP-RINSE	10	1
19	34001248	WATER VALVE (3 WAY)	10	1
20	34001245	HOUSING-DRAWER (L)	10	1
21	34001243	HANDLE-DRAWER	10	1

\*Color Code (-)=Not Shown #=Series, Serial Prefix or Run No., N=Not Available

Section: DOOR

Model: MAH8700AWW



LW18-23

## Section: DOOR

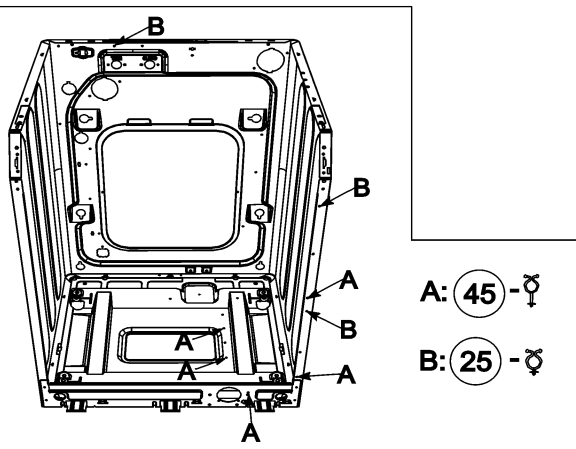
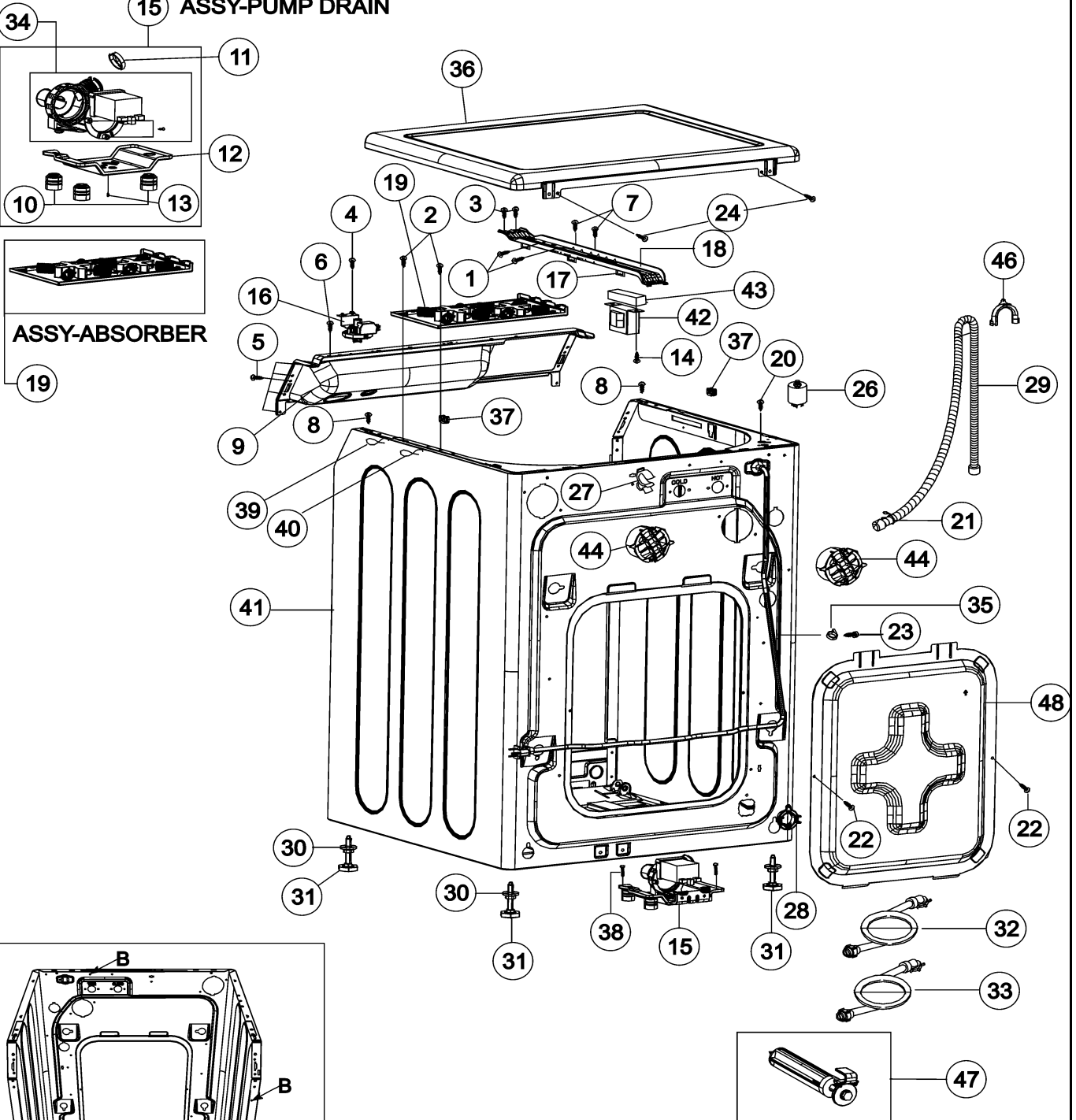
No.	Part No.	Description	Series	Qty
1	34001251	SCREW-TAPPING	10	3
2	34001251	SCREW-TAPPING	10	4
3	34001251	SCREW-TAPPING	10	8
4	34001252	SCREW-TAPPING	10	4
5	34001253	GUIDE-HOLDER GLASS	10	1
6	34001254	DOOR-GLASS	10	1
7	34001265	DOOR-LOCK S/W	10	1
8	34001232	SCREW-TAPPING	10	8
9	34001255	BRACKET-HOLDER	10	1
10	34001256	COVER-DOOR	10	1
11	34001257	DOOR SAFETY	10	1
12	34001266	ASSY-WIRE DIAPHRAGM	10	1
13	34001259	SCREW-TAPPING	10	2
14	34001285	HOLDER-GLASS	10	1
15	34001260	LEVER-DOOR	10	1
16	34001286	SCREW-MACHINE	10	4
17	34001262	GUIDE-BAR	10	4
18	34001263	FRAME-FRONT LU	10	1
18	34001467	FRONT PANEL (WHITE)	14	1
19	34001264	ASSY-HINGE	10	1

\*Color Code (-)=Not Shown #=Series, Serial Prefix or Run No., N=Not Available

Section: CABINET

Model: MAH8700AWW

15 ASSY-PUMP DRAIN



A: 45 - ∅

B: 25 - ∅

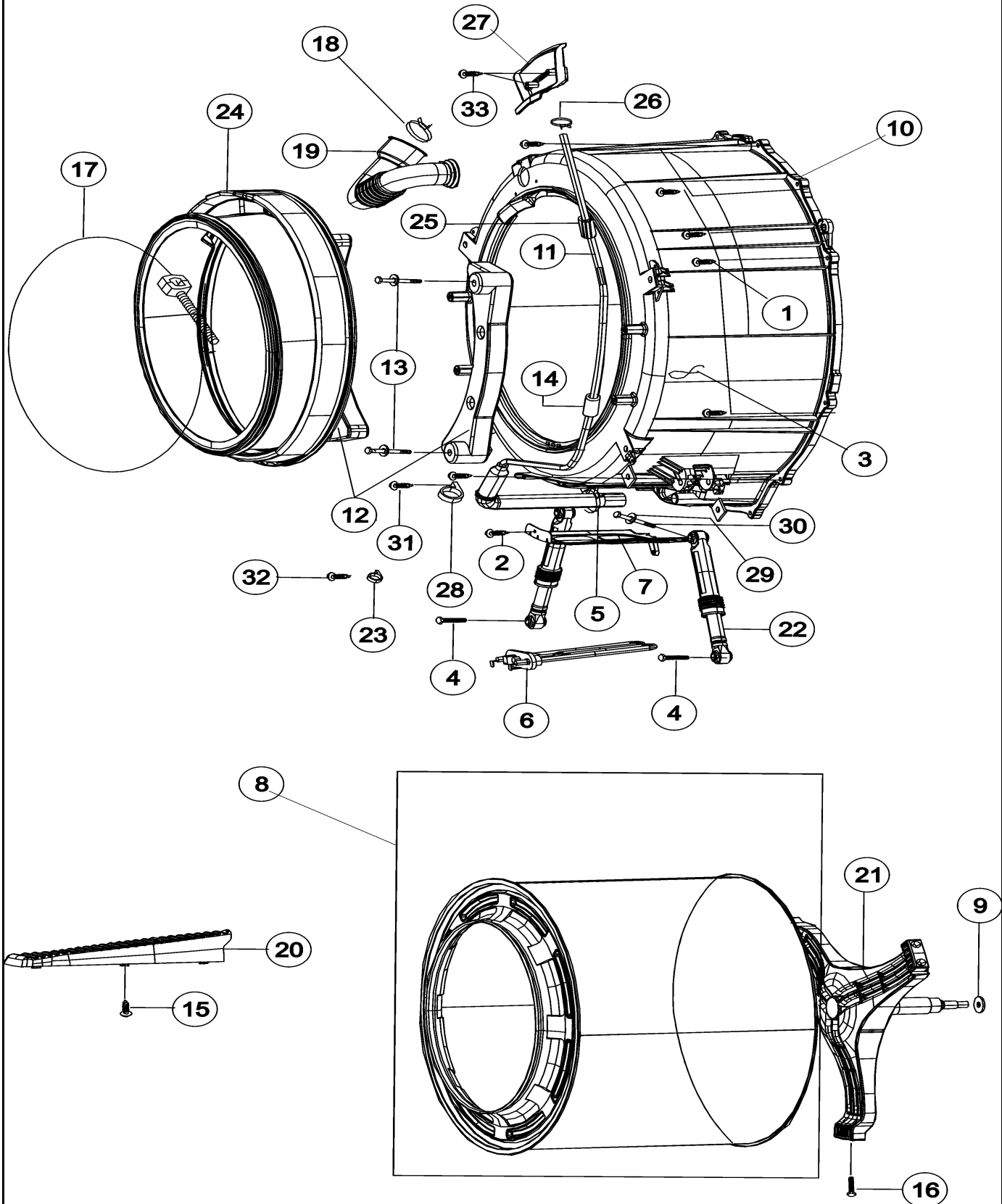
## Section: CABINET

No.	Part No.	Description	Series	Qty
1	34001252	SCREW-TAPPING	10	1
2	34001252	SCREW-TAPPING	10	2
3	34001252	SCREW-TAPPING	10	2
4	34001252	SCREW-TAPPING	10	1
5	34001252	SCREW-TAPPING	10	6
6	34001252	SCREW-TAPPING	10	1
7	34001232	SCREW-TAPPING	10	2
8	34001317	SCREW-SPECIAL	10	2
9	34001318	FRAME-PLATE-(U) CABINET	10	1
10	34001323	CUSHION-PUMP	10	3
11	34001322	VALVE-CHECK	10	1
12	34001321	BRACKET-PUMP	10	1
13	34001232	SCREW-TAPPING	10	1
14	34001231	SCREW-TAPPING	10	1
15	34001320	ASSY-PUMP DRAIN	10	1
16	34001324	ASSY-SENSOR PRESSURE	10	1
17	34001325	HOLDER-WIRE SADDLE	10	3
18	34001326	GUIDE-WIRE	10	1
19	34001417	ASSY-ABSORBER	10	1
20	34001252	SCREW-TAPPING	10	1
21	34001161	CLIP-HOSE	10	1
22	34001252	SCREW-TAPPING	10	2
23	34001232	SCREW-TAPPING	10	1
24	34001328	SCREW-HEX	10	2
25	34001329	CABLE CLAMP	10	3
26	34001330	FILTER-EMI	10	1
27	34001331	CLAMPER HOSE	10	1
28	34001500	GUIDE HOSE	18	1
28	34001200	GUIDE-HOSE	10	1
29	34001095	ASSY-HOSE DRAIN	10	1
30	34001389	NUT-HEXAGON FLANGE	10	4
31	34001341	LEG-RUBBER	10	4
32	34001089	ASSY-HOSE WATER (HOT)	10	1
33	34001094	ASSY-HOSE WATER (COLD)	10	1
34	34001340	ASSY-S PUMP	10	1
35	34001299	CLAMPER HOSE	10	1
36	34001332	ASSY-COVER TOP	10	1
37	34001097	GUIDE-SPRING - WASHER ONLY	10	2
38	34001388	BOLT-HEX	10	3
39	34001229	WIRE TIE - VINYL	10	1
40	34001229	WIRE TIE - VINYL	10	1
41	34001339	ASSY-FRAME LU	10	1
42	34001333	TRANS-REACTORV	10	1
43	34001334	BRACKET-HEATER	10	1
44	34001335	ASSY-CAP O.F.	10	2
45	34001501	HOLDER WIRE	18	5
45	35001004	HOLDER-WIRE (RETAINER/CLIP)	10	5
46	34001336	HOSE-HANGER	10	1
47	34001337	ASSY-FIXER TUB	10	4
48	34001338	ASSY-COVER BACK	10	1

\*Color Code (-)=Not Shown #=Series, Serial Prefix or Run No., N=Not Available

Section: TUB - FRONT

Model: MAH8700AWW



LW13-85



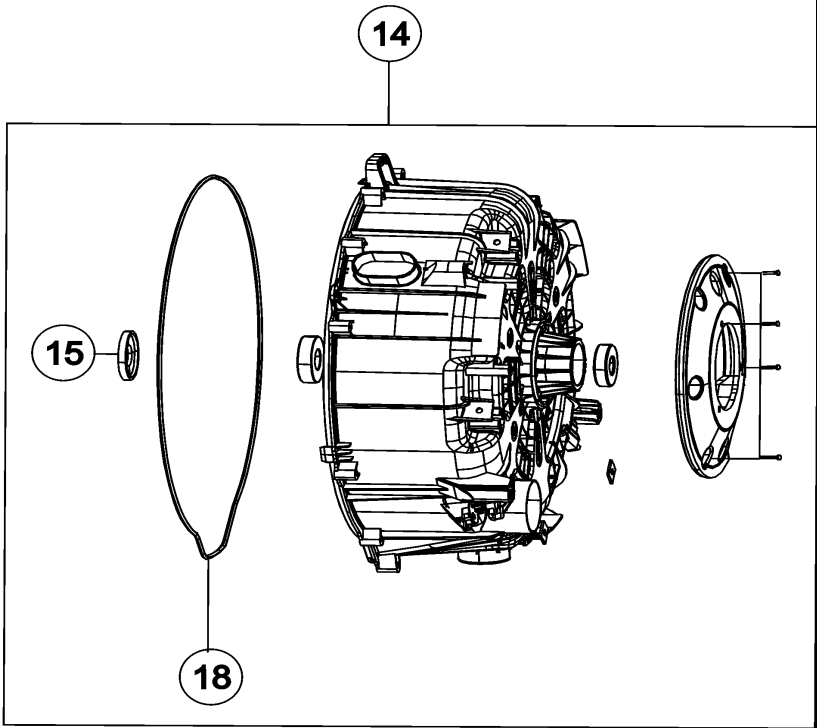
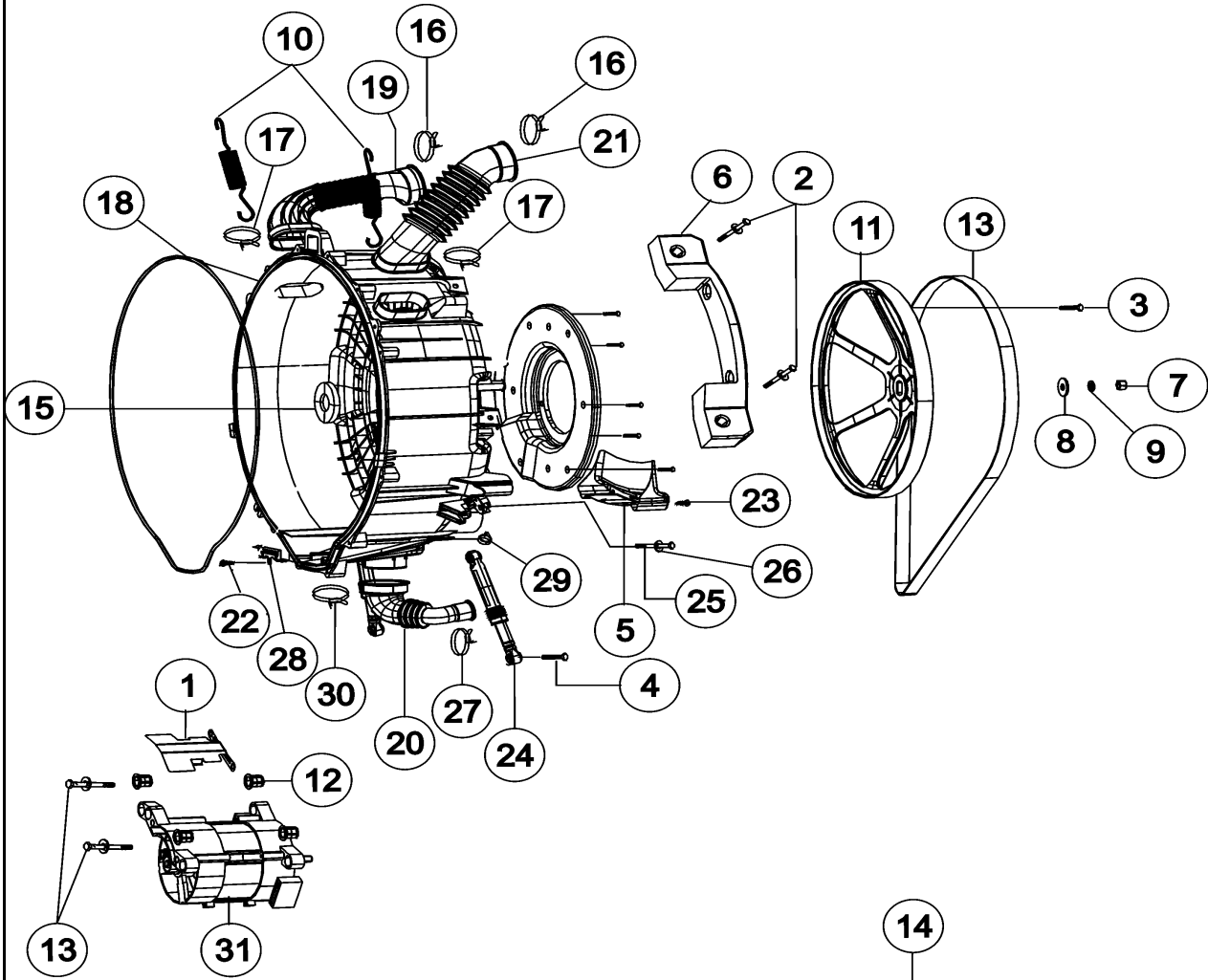
## Section: TUB - FRONT

No.	Part No.	Description	Series	Qty
1	34001267	SCREW-TAPPING	10	12
2	34001232	SCREW-TAPPING	10	1
3	34001229	WIRE TIE - VINYL	10	2
4	34001147	BOLT/SCREW-PUMP BRACKET	10	4
5	34001315	CLAMPER HOSE	10	1
6	34001270	HEATER	10	1
-	1404-000230	THERMISTOR-PTC		1
7	34001314	BRACKET-TUB (F)	10	1
8	34001312	ASSY-S DRUM	10	1
8	34001461	SPINNER	12	1
9	34001409	WASHER-WAVE	10	1
10	34001309	ASSY-SEMI TUB FRONT	10	1
11	34001308	HOSE-RESSURE	10	1
12	34001276	WEIGHT-BALANCER (F)	10	2
13	34001158	ASSY-BOLT	10	6
14	34001307	SPONGE-HARNESS	10	2
15	34001251	SCREW-TAPPING	10	3
16	34001277	BOLT-FLANGE	10	6
17	34001306	ASSY-CLAMP DIAPHGRAM	10	1
18	34001305	BAND-RING	10	1
19	34001304	HOSE-DRAWER TUB	10	1
20	34001287	DRUM-LIFTER	10	3
21	34001407	ASSY-FRAME SHAFT	10	1
22	34001303	DAMPER-SHOCK	10	2
23	34001291	CABLE CLAMP	10	1
24	34001302	DOOR-DIAPHRAGM	10	1
25	34001301	SPONGE-HOSE AIR	10	1
26	34001169	SPRING-CLAMP	10	1
27	34001300	GUIDE-WATER	10	1
28	34001299	CLAMPER HOSE	10	1
29	34001272	WASHER-PLAIN	10	2
30	34001148	BOLT-HEX	10	2
31	34001232	SCREW-TAPPING	10	1
32	34001232	SCREW-TAPPING	10	1
33	34001251	SCREW-TAPPING	10	2

\*Color Code (-)=Not Shown #=Series, Serial Prefix or Run No., N=Not Available

Section: TUB BACK

Model: MAH8700AWW



LW13-86

## Section: TUB BACK

No.	Part No.	Description	Series	Qty
1	34001415	COVER-MOTOR	10	1
2	34001158	ASSY-BOLT	10	2
3	34001268	BOLT-ETC	10	6
4	34001147	BOLT/SCREW-PUMP BRACKET	10	1
5	34001414	BRACKET-TUB	10	1
6	34001413	WEIGHT-BALANCER	10	1
7	34001271	NUT-HEX	10	1
8	34001406	WASHER-PLAIN	10	1
9	34001273	WASHER-SPRING	10	1
10	34001274	SPRING-HANGER	10	2
11	34001412	PULLEY	10	1
12	34001157	BUSHING-MOTOR	10	4
13	34001411	BELT-TIMING GEAR	10	1
13	34001158	ASSY-BOLT Note: ITEM INCORRECTLY LABELED, BUT THIS IS THE CORRECT NUMBER FOR THE MOTOR BOLTS	10	2
14	34001458	OUTER TUB, REAR	15	1
14	34001439	ASSY-SEMI TUB BACK	10	1
15	34001462	SEAL-OIL	12	1
15	34001408	SEAL-OIL	10	1
16	34001298	BAND-RING	10	2
17	34001297	BAND-RING	10	2
18	34001296	PACKING-TUB	10	1
19	34001294	HOSE-DRAIN	10	1
20	34001294	HOSE-DRAIN	10	1
21	34001293	HOSE-O.F.	10	1
22	34001251	SCREW-TAPPING	10	1
23	34001232	SCREW-TAPPING	10	2
24	34001292	DAMPER-SHOCK	10	2
25	34001148	BOLT-HEX	10	2
26	34001272	WASHER-PLAIN	10	2
27	34001161	CLIP-HOSE	10	1
28	34001290	BRACKET - HEATER	10	1
29	34001291	CABLE CLAMP	10	2
30	34001289	CLAMPER-HOSE	10	1
31	34001405	MOTOR-DRUM	10	1

\*Color Code (-)=Not Shown #=Series, Serial Prefix or Run No., N=Not Available

**Section: SUPPLEMENTAL INFORMATION**

No.	Part No.	Description	Series	Qty
1	34001416	ASSY-WIRE HARNESS	10	1
2	34001204	POWER CORD	10	1
3	N 34001221	STACKING KIT (27")	10	1
4	N 35001207	RISER - 27" - WHITE	10	1
4	35001266	RISER SERVICE KIT	11	1
5	16026126	SVC MAN, DOM WASHER	10	1
6	34001395	CAP-FIXER	10	1
7	34001223	BOLT-SPANER	10	1
8	W10126689	MANUAL, USE & CARE	14	1

\*Color Code (-)=Not Shown #=Series, Serial Prefix or Run No., N=Not Available

