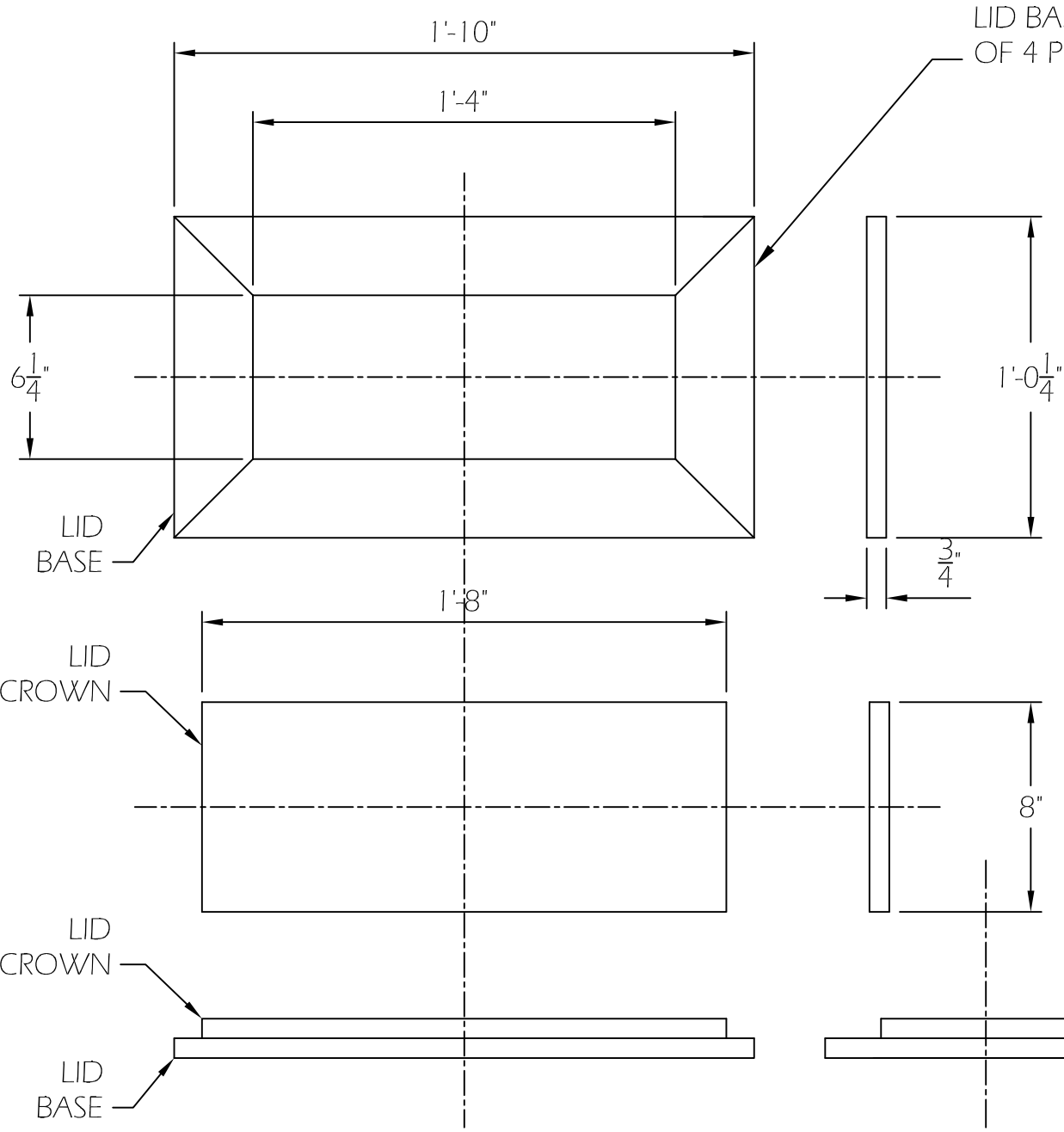
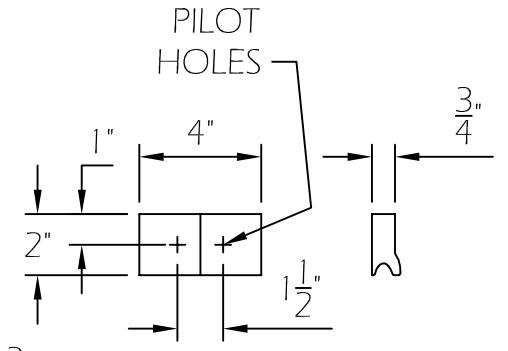


TOP LID OF CASKET



NOTES:

1. THE TOP EDGE OF THE LID CROWN SHALL BE DADOED WITH FANCY BEVEL
2. SEE NOTES ON FLOOR AND SIDES DRAWING SHEET FOR FURTHER DETAILS
3. HANDLES (2) ARE MADE OF PLASTER MOULDING (AVAILABLE DIXIELINE ).



HANDLE DETAIL (APPROX. SHAPE)

SMALL CASKET LID COMPONENTS SIDE HANDLES (FLUSH TOP)