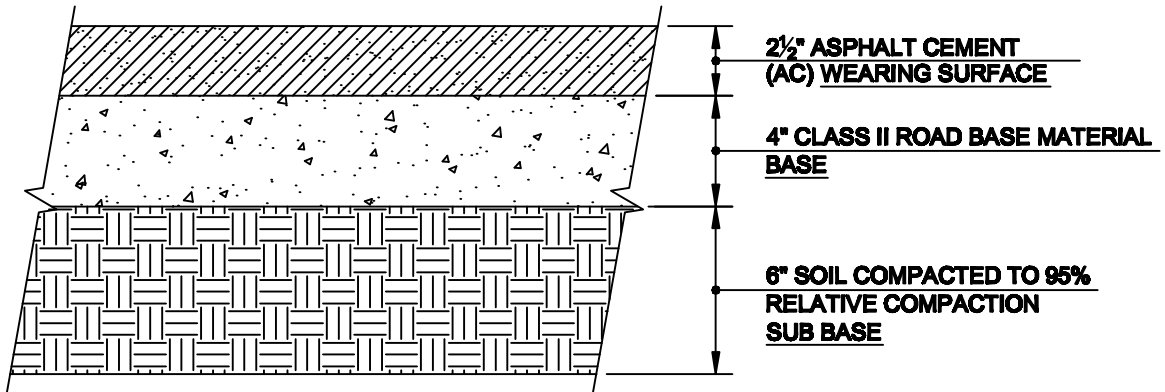


STANDARD ASPHALT PAVING (WATER IMPERMEABLE)



- NOTES:** A) ALL REQUIRED ACCESS MUST SUPPORT A 20 TON FIRE APPARATUS UNDER ALL WEATHER CONDITIONS.
B) ALL REQUIRED ACCESS MUST BE IN PLACE AHEAD OF STRUCTURAL FRAMING.

FIGURE: 3-4

PAVING SPECIFICATIONS

**MONTECITO FIRE
DEPARTMENT**