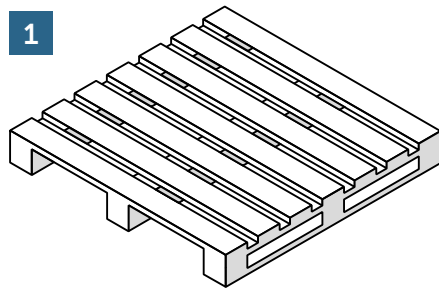


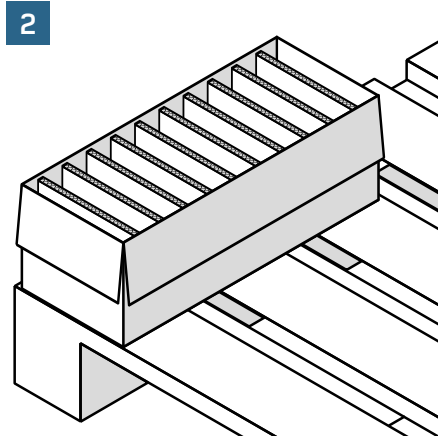
Guidance for packing HARD DISK DRIVES

You will need;

- A pallet or pallets
- Cardboard packing boxes
- Anti-static bags
- Packing tape
- Plastic wrap

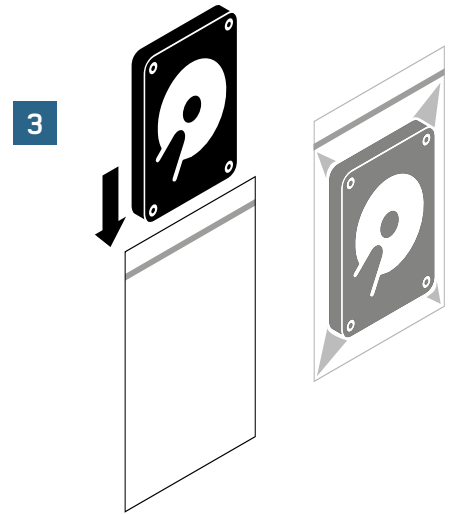


1



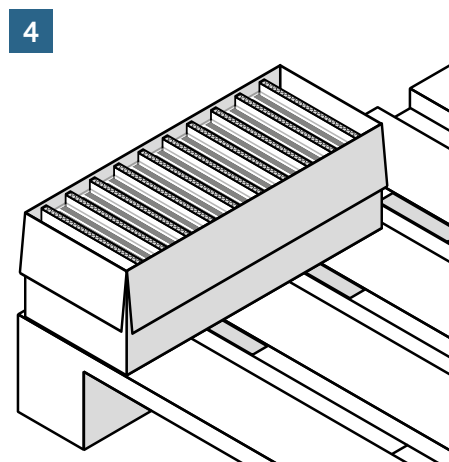
2

■ Place your first layer of boxes on your pallet.



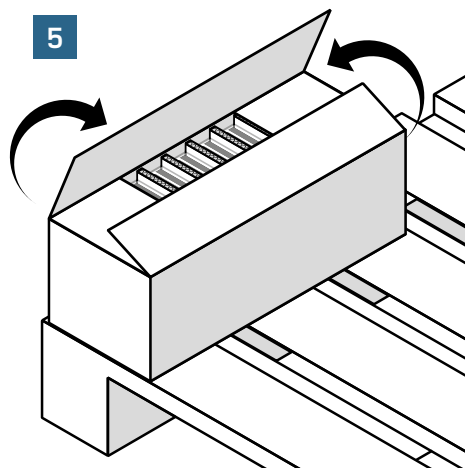
3

■ Place each HDD in an anti-static bag.



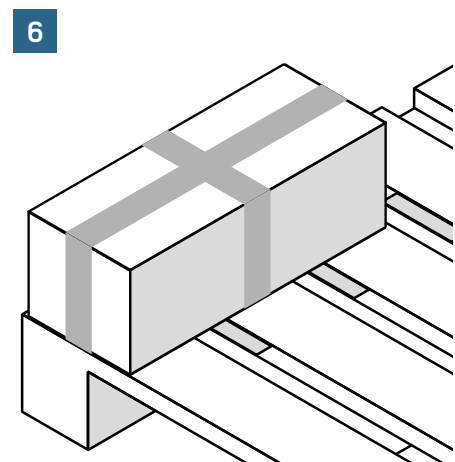
4

■ Place each bagged HDD into the box, one per section.

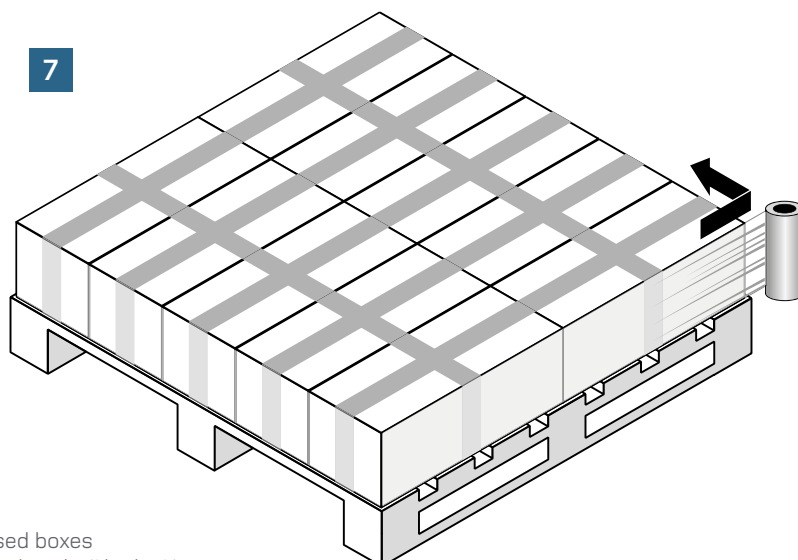


5

■ Close your box and seal with tape.



6



7

■ Stack the closed boxes onto the pallet and seal with plastic wrap.

Now all you need to do is label your pallet and book a collection!
What do you want to do now?

- Print a packing label
- Get more packing instructions
- Order packing materials