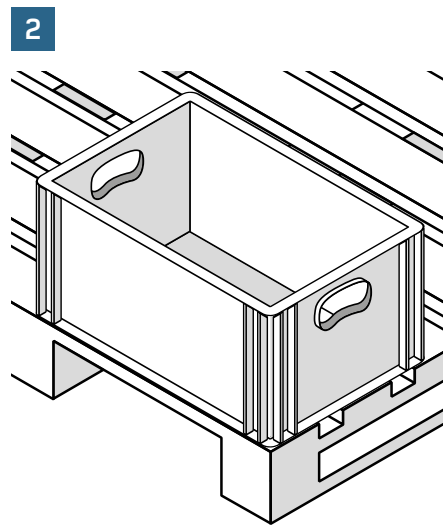
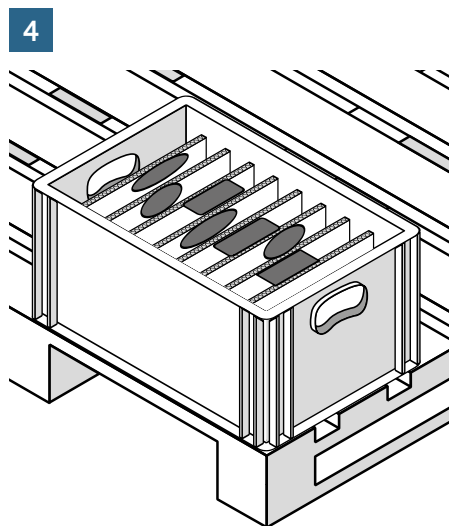
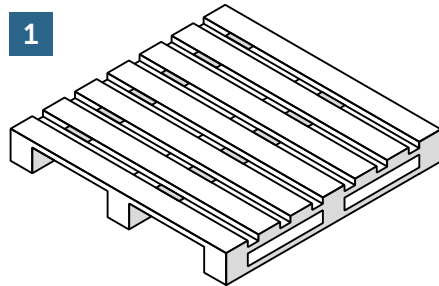


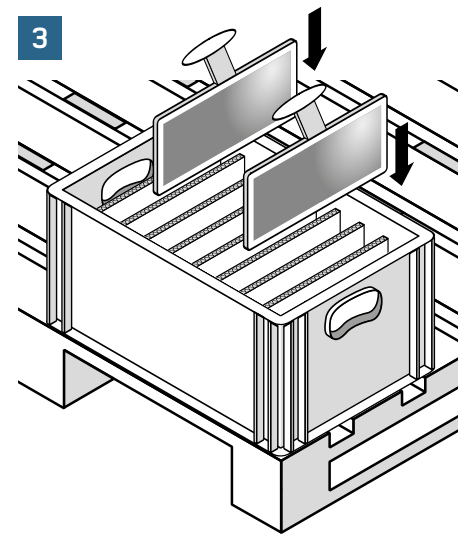
Guidance for packing FLAT SCREEN MONITORS

You will need;

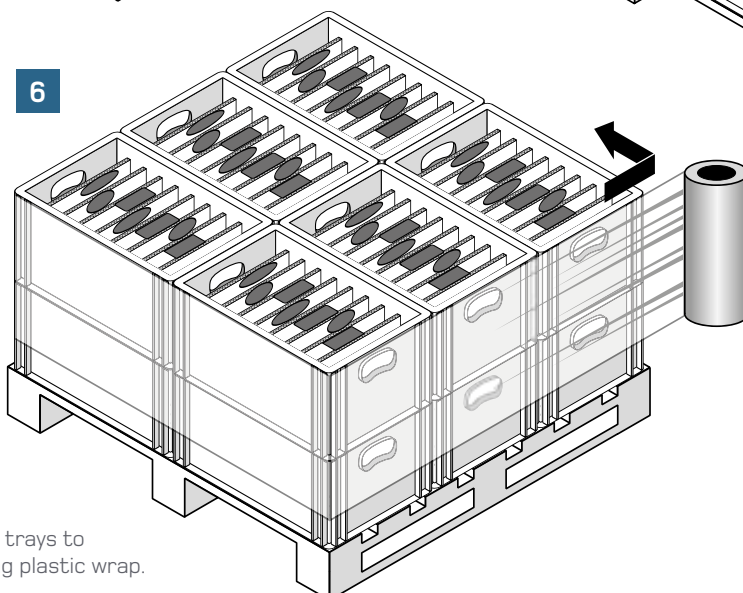
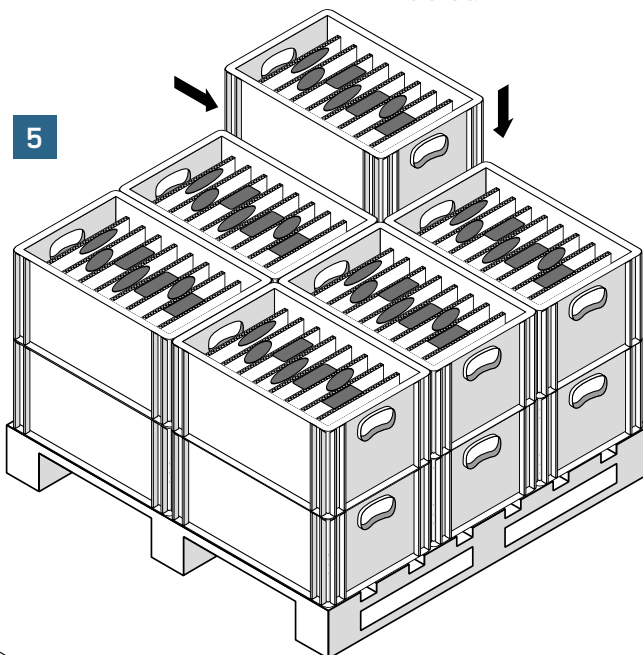
- A pallet or pallets
- Polypropylene monitor packing trays
- Cardboard sheets
- Plastic wrap



■ Place your first layer of trays on your pallet.



■ Place each monitor in the tray, with stand at the top. Place cardboard sheets between each monitor. This helps to avoid scratching in transit.



■ Secure the trays to the pallet using plastic wrap.

Now all you need to do is label your pallet and book a collection!
What do you want to do now?

- Print a packing label
- Get more packing instructions
- Order packing materials