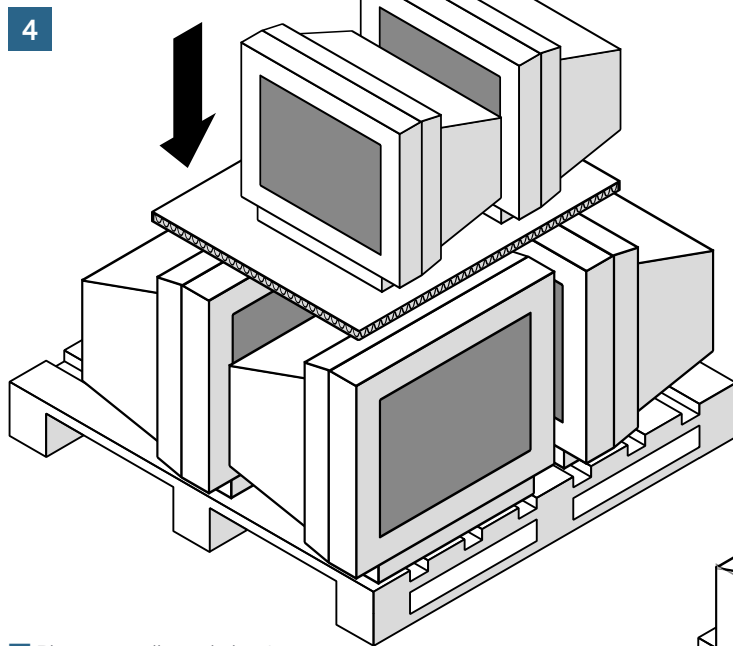
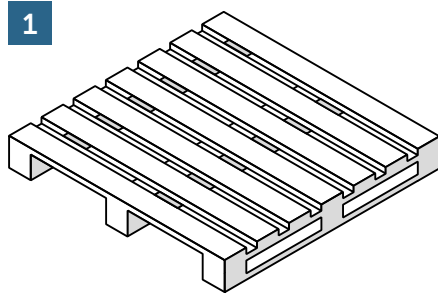


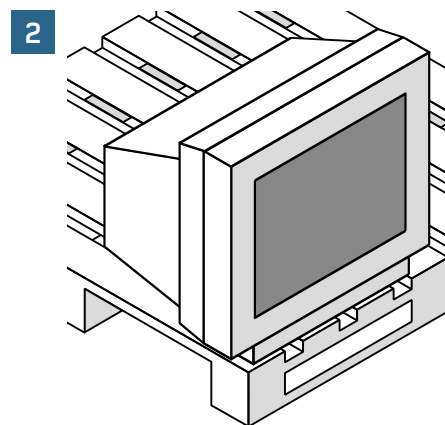
## Guidance for packing CRT MONITORS

You will need;

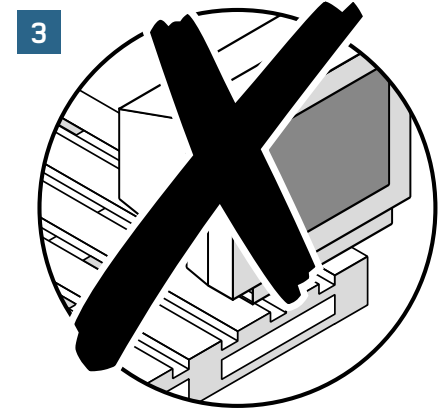
- A pallet or pallets
- Cardboard sheets
- Plastic wrapping & wrapping tool
- Strapping & strapping tool



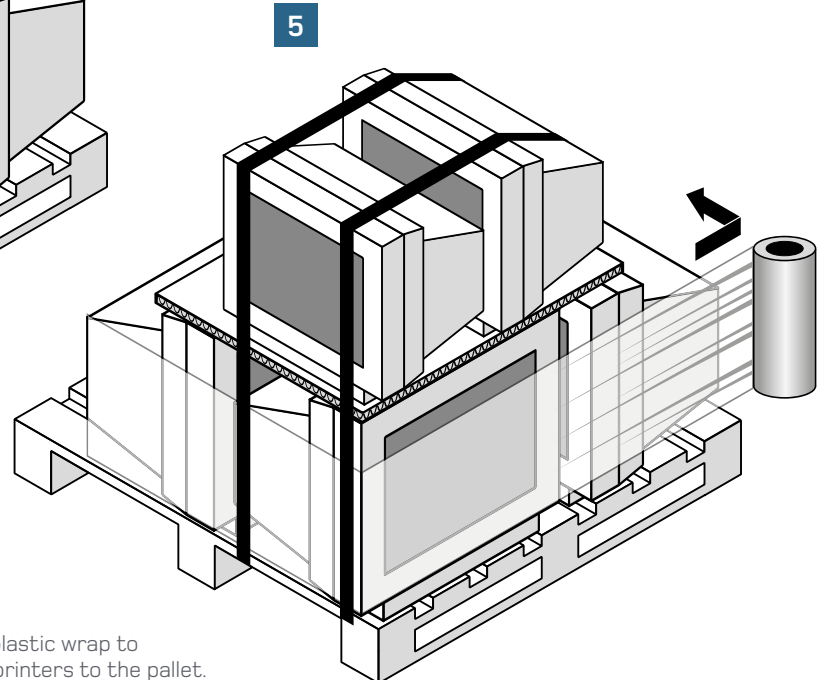
■ Place a cardboard sheet between each layer. Pallets should be stacked up to 9 units per layer and no more than 3 layers high.



■ Start with the largest monitors. Place your first layer of monitors on the pallet.



■ Nothing should overhang the edges of the pallet.



■ Use the plastic wrap to secure the printers to the pallet. Where possible, pallets should also be banded.

Now all you need to do is label your pallet and book a collection!  
What do you want to do now?

- Print a packing label
- Get more packing instructions
- Order packing materials