

5 MOTORIZED EXTERNAL

External Mounted Tab-Tension Motorized Screen Specification Sheet



SUGGESTED SPECIFICATIONS: _____ projection screen(s), _____ (H) x _____ (W). This specification covers 3 Series Motorized is available as an external mount, self-contained unit, with either wall or ceiling mounting capability. The screen shall contain a quick connect connector that is mounted in the housing for easy plug-in connection to the motorized fabric and roller assembly. The motorized fabric and roller assembly to be installed in the case at the factory or at a later time at the job site. To be complete with integrated low voltage trigger input and three position control switch and cover plate. The external unit to be fitted with a curved front fascia. 3 Series Motorized screen materials are to be precision

cut on computer-driven fabric tables. All 3 Series Motorized screens include tab tensioning. Each screen can be ordered with up to 48" (1219 mm) of user adjustable black drop. Screens are available in 16:9, 16:10, 2.35:1, and Custom aspect ratios. Sizes are available up to 108 13/16" (2764 mm) high by 184" (4,674 mm) wide. Screen material to be Slate 1.2, Slate .8, Slate AT 1.2, Slate AT .8, Maestro White 1.1, Pure White 1.3, Pure Gray .85, Pure White AT 1.3, or Pure Gray AT .85. Please refer to a signed build drawing. If you require additional information not contained within this specification sheet, please contact us at sales@screeninnovations.com or 512-832-6939.

Theater HDTV (16:9) Format Dimensions

Viewing Area H x W (C X B)		Standard Diagonal (A)		Overall Case Length (F)		Overall Flange Length (G)		Approx. Ship. Wt.	
In.	mm	In.	mm	In.	mm	In.	mm	Lbs.	Kg
39.25" X 69.75"	997 X 1,772	80"	2,032	84.813"	2,154	92.313"	2,345	101	46
45.125" X 80.188"	1,146 X 2,037	92"	2,337	95.25"	2,419	102.75"	2,610	111	50
49" X 87.188"	1,245 X 2,215	100"	2,540	102.25"	2,597	109.75"	2,788	118	54
51.938" X 92.375"	1,319 X 2,346	106"	2,692	107.438"	2,729	114.938"	2,919	123	56
53.938" X 95.875"	1,370 X 2,435	110"	2,794	110.938"	2,818	118.438"	3,008	126	57
58.813" X 104.563"	1,494 X 2,656	120"	3,048	119.625"	3,038	127.125"	3,229	135	61
65.188" X 115.938"	1,656 X 2,945	133"	3,378	131"	3,327	138.5"	3,518	149	68
78.438" X 139.438"	1,992 X 3,542	160"	4,064	154.5"	3,924	162"	4,115	194	88
88.25" X 156.875"	2,242 X 3,985	180"	4,572	171.938"	4,367	179.438"	4,558	210	95
98.063" X 174.313"	2,491 X 4,428	200"	5,080	189.375"	4,810	196.875"	5,001	231	105

Wide (16:10) Format Dimensions

Viewing Area H x W (C X B)		Standard Diagonal (A)		Overall Case Length (F)		Overall Flange Length (G)		Approx. Ship. Wt.	
In.	mm	In.	mm	In.	mm	In.	mm	Lbs.	Kg
42.375" X 67.813"	1,076 X 1,722	80"	2,032	82.875"	2,105	90.375"	2,296	100	45
48.75" X 78"	1,238 X 1,981	92"	2,337	93.063"	2,364	100.563"	2,554	109	49
53" X 84.813"	1,346 X 2,154	100"	2,540	99.875"	2,537	107.375"	2,727	116	53
56.188" X 89.875"	1,427 X 2,283	106"	2,692	104.938"	2,665	112.438"	2,856	121	55
58.313" X 93.25"	1,481 X 2,369	110"	2,794	108.313"	2,751	115.813"	2,942	124	56
63.625" X 101.75"	1,616 X 2,584	120"	3,048	116.813"	2,967	124.313"	3,158	132	60
70.5" X 112.813"	1,791 X 2,865	133"	3,378	127.875"	3,248	135.375"	3,439	146	66
84.813" X 135.688"	2,154 X 3,446	160"	4,064	150.75"	3,829	158.25"	4,020	191	87
98.063" X 156.875"	2,491 X 3,985	185"	4,699	171.938"	4,367	179.438"	4,558	215	98

CinemaScope (2.35:1) Format Dimensions

Viewing Area H x W (C X B)		Standard Diagonal (A)		Overall Case Length (F)		Overall Flange Length (G)		Approx. Ship. Wt.	
In.	mm	In.	mm	In.	mm	In.	mm	Lbs.	Kg
31.313" X 73.625"	795 X 1,870	80"	2,032	88.688"	2,253	96.188"	2,443	105	48
36" X 84.625"	914 X 2,149	92"	2,337	99.688"	2,532	107.188"	2,723	115	52
39.125" X 92"	994 X 2,337	100"	2,540	107.063"	2,719	114.563"	2,910	122	55
41.5" X 97.563"	1,054 X 2,478	106"	2,692	112.625"	2,861	120.125"	3,051	127	58
43.063" X 101.188"	1,094 X 2,570	110"	2,794	116.25"	2,953	123.75"	3,143	130	59
47" X 110.438"	1,194 X 2,805	120"	3,048	125.5"	3,188	133"	3,378	141	64
52.063" X 122.375"	1,322 X 3,108	133"	3,378	137.438"	3,491	144.938"	3,681	174	79
62.625" X 147.25"	1,591 X 3,740	160"	4,064	162.313"	4,123	169.813"	4,313	201	91
70.5" X 165.625"	1,791 X 4,207	180"	4,572	180.688"	4,589	188.188"	4,780	223	101
78.313" X 184"	1,989 X 4,674	200"	5,080	199.063"	5,056	206.563"	5,247	244	111

PRODUCT NOTES

- The dimensions in the spec sheet apply to 24" (609 mm) drop only. Screens with larger drop may have different case dimensions. Please see our online calculator or call us at 512-832-6939
- Weights in this spec apply to Slate or Pure only and are estimates.
- All screens come with user adjustable black-drop between the case and viewing surface up to 24" (609 mm).
- All screens come with Wall Switch, IR Remote, and Low Voltage Trigger.
- Screen surface is tab-tensioned with user adjustability.
- Aspect ratios Available: 16:9, 16:10, 2.35:1, and Custom.
- For dimensions not listed, please see our online screen calculator. <http://dash.screeninnovations.com/screencalculator>
- Viewing surface widths of 116" (2,946 mm) or larger will utilize "commercial" case dimensions.

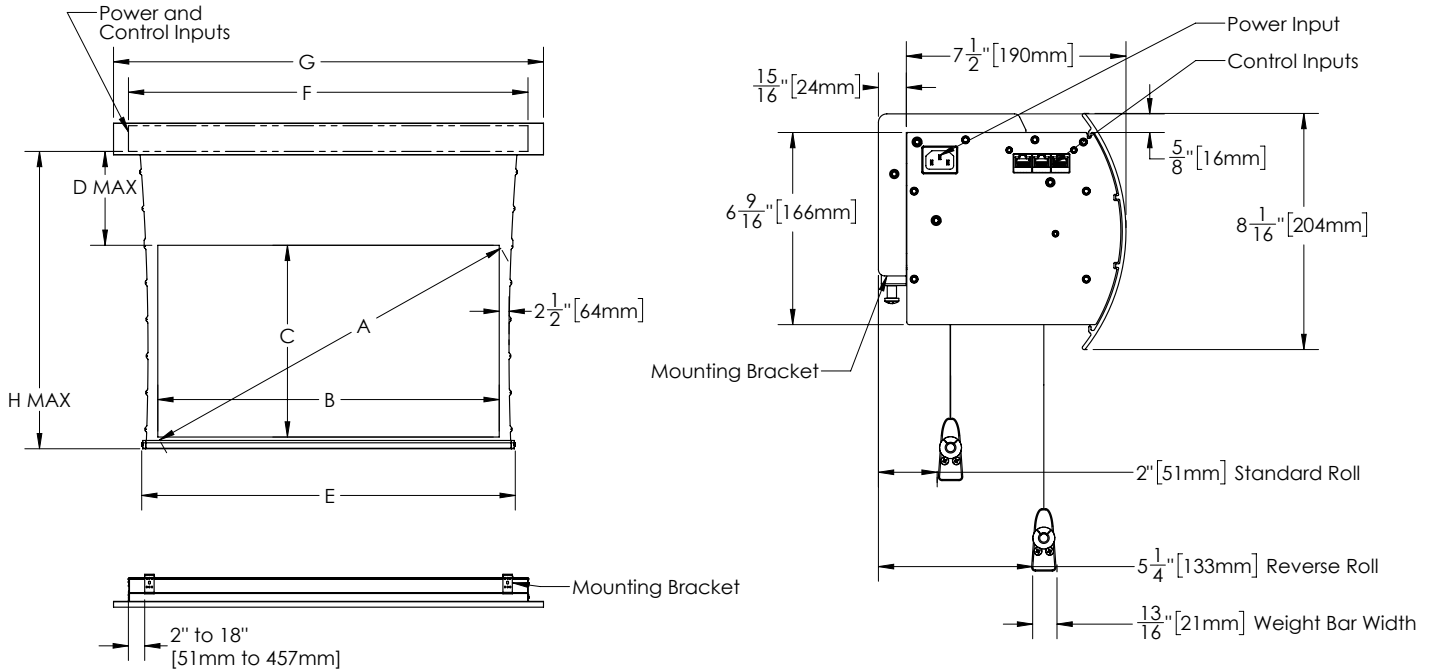
MATERIAL INFORMATION

- All surfaces will be seamless.
- Max viewing height 98.063" (2,490 mm)
- Max viewing height for Maestro material is 120.813 (3,068 mm)

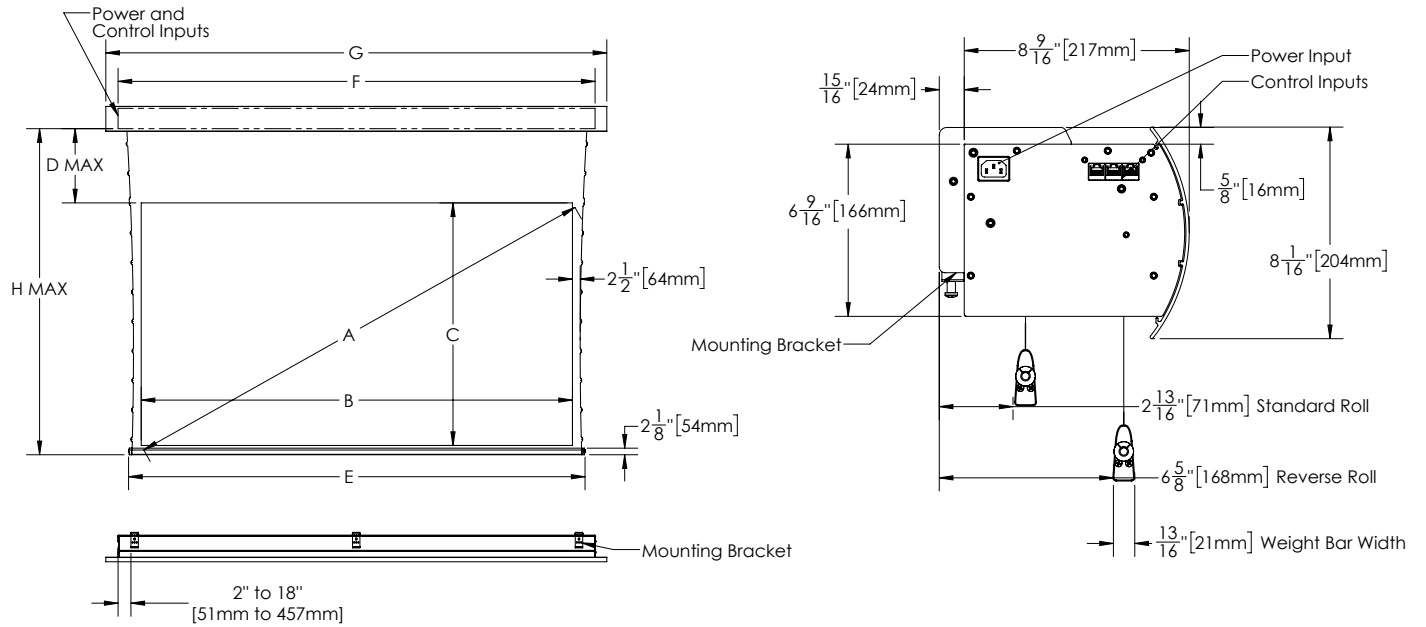
WHEN ORDERING, MARK APPROPRIATE SELECTIONS

1. Select Size from Charts.
2. Select Screen Material:
 - Slate 1.2
 - Slate .8
 - Maestro White 1.1
 - Pure White 1.3
 - Pure Gray .85
3. Screen Options:
 - Black Fascia Color
 - 36" (914 mm) Black Drop
 - 48" (1,219 mm) Black Drop
 - 220v Motor
 - RS232/485 Control & Cable
 - RF Control & Receiver
4. Select Power Input:
 - IEC
 - Pigtail
5. Select Screen Orientation:
 - Orientation A (Standard Roll / Standard View)
 - Orientation B (Reverse Roll / Standard View)
 - Orientation C (Standard Roll / Reverse View)
 - Orientation D (Reverse Roll / Reverse View)

Compact Case
Viewing width < 116" (2,946 mm)



Commercial Case
Viewing width > 116" (2,946 mm)



9715-B Burnet Rd. Ste 400
Austin, TX 78758
512-832-6939
screeninnovations.com

SI5MEXSS2.1
© 2017 Screen Innovations.

Project Name:	_____
Architect:	_____
Contractor:	_____ Phone _____
Reseller:	_____ Phone _____